



**VÉLO À ASSISTANCE ÉLECTRIQUE**  
**ELECTRIC BIKE**



**yeep.me CARGO**

Instruction manual  
Please read this manual carefully before first use



# Languages

<b>ENGLISH</b>	<b>05</b>
<b>FRENCH</b>	<b>27</b>
<b>SPANISH</b>	<b>51</b>
<b>ITALIAN</b>	<b>73</b>
<b>PORTUGUESE</b>	<b>95</b>
<b>DUTCH</b>	<b>117</b>
<b>GERMAN</b>	<b>139</b>
<b>CHINESE</b>	<b>163</b>



Thank you for your purchase.  
Welcome to yeep.me

## Table of contents

<b>1. SAFETY GUIDELINES</b>	<b>06</b>
<b>2. CONTENTS AND TECHNICAL SPECIFICATIONS</b>	<b>10</b>
<b>3. USE</b>	<b>11</b>
<b>4. MAINTENANCE AND CLEANING</b>	<b>20</b>
<b>5. FAQ &amp; WARRANTY</b>	<b>25</b>

*Before using this product, carefully read the user guidelines. These will allow you to properly understand, use and service this product, and to get to know its performances and features.*

*Keep this manual for future reference. If selling or giving this product to someone else, please ensure you include this manual along with it.*

# 1. SAFETY GUIDELINES

**1.** This device is designed to transport one person, and is intended for use by teenagers and adults.

Cleaning, maintenance and all other handling of the device must be performed by someone over the age of 12.

This device may be used by children aged 12 and up, and may also be used by persons with physical, sensory or mental disabilities, on condition that adequate supervision is provided or they have been instructed on how to operate the device safely and are aware of any potential risks. Children should not be allowed to play with the device. Cleaning and user maintenance should not be performed by unsupervised children. Parents should not let their child use this device unsupervised. The product should be stored out of the reach of children.

The charger may be used by children aged 8 years or older and by persons with reduced physical, sensory or mental capabilities or without experience or knowledge, if they are properly supervised or if they have been given instructions on how to use the device safely and if the risks involved have been understood. Make sure that only the charger supplied with the product is used.

Do not transport an additional person, children, or goods. Exceeding the weight limit may cause injuries and damage the device. That the user is within the weight limit does not mean they are tall enough to maintain control of the device.

**2.** This is an individual transportation device. It is therefore not suitable for competitions or extreme sports, and must never be used in a skate park. Do not use the device to go up or down stairs, perform jumps, jump over obstacles, or perform tricks or dangerous acts. This device is neither a toy nor a fitness device.

This product has not been designed for professional or commercial use, such as: rentals, forming a fleet of vehicles, business trips.

**3.** This device should be used with caution on a surface that is flat, clean, dry and free of gravel and grease, as there needs to be friction between the wheels and the ground to move forward. Avoid obstacles, holes, bumps, and sewer grates that may cause accidents. Slow down for speed bumps.

Stay away from other road users and observe traffic rules. You are not safe from the risks posed by the behaviour of others. Anticipate obstacles and traffic by driving at an appropriate speed. The stopping distance is correlated with your speed, so take care to anticipate braking distances in wet weather and/or on wet roads. Avoid abrupt manoeuvres and sudden braking; the device may skid, lose its balance, or fall, even on a smooth, flat surface. You must always remain vigilant and stay away from

pedestrians and other users on public roads or thoroughfares, who may cross without having seen you. **WARNING!** Never use the product outside the areas permitted by regulations.



**4.** Caution! This appliance is designed for outdoor use. It is your responsibility to know and comply with the regulations in force on the public and private thoroughfares where you use the device.

**5.** Learn how to use the device in an open and flat location without many other road users around you, and make sure you wear a helmet.

Always wear sturdy shoes and trousers when using this device. Do not operate this device if you are barefoot or wearing open sandals. Avoid wearing clothing that is excessively loose or has dangling cords or ties, scarves, etc., which could be caught in the wheel. This could lead to choking, falling, and/or a collision.

**6.** Do not ride in rain, snow, puddles, mud, or other wet areas with a water depth of over 2 cm that would allow water to seep into the device. To clean your device, follow the advice in section 4.3.

Do not use this device if visibility is poor. If you are riding at night or in dark weather, we recommend wearing reflective clothing or equipment, such as a high-visibility jacket or armband. In addition to this recommendation, you should refer to the applicable equipment requirements in the location and country of use.

**7.** Do not use this device under the influence of alcohol or other drugs. For your safety, such use is strictly prohibited.

**8.** Do not leave the product within the reach of anyone who could start it without the authorisation of the main user or without prior information and knowledge of these safety measures/guidelines and use.

If you lend the device to someone, ensure the other person knows how to use it and explain to them all the safety guidelines. The person you are lending the device to must be reminded to follow traffic regulations and to wear protective gear while riding.

**9.** A mobility device is subject to physical constraints depending on its purpose, design and use. Given this, the unit must be inspected before each use and you must double check that all safety features work properly (brakes, lights). The various points of inspection and maintenance to be carried out on your appliance are detailed in section 4.2.

If you notice any pieces have come loose, low battery level alerts, flat tyres, excessive wear and tear, strange noises, improper functioning or any other abnormality, stop

using the device immediately and seek professional assistance.

**10. DO NOT USE THE DEVICE OR CHARGE ITS BATTERY IN THE FOLLOWING CIRCUMSTANCES:**

- The product is damaged.
- The battery is emitting an abnormal smell and heat.
- Brake controls, or other braking or safety devices (lights) are damaged.














Discontinue use and do not touch any liquid leaking out of the device. Do not expose the device's battery to excessive heat.

**11.** The battery must not be replaced by the user. Please contact your retailer or the brand's after-sales service for any device modifications or maintenance.

**12.** The batteries must be disposed of appropriately. If you are unable to return your product to your retailer, place it in the containers provided for this purpose (see the brand's manual for more information) in order to protect the environment.

**13.** Any opening of the device or product may modify the safety of the device or product, and the brand does not take responsibility for this. Please note that opening the device will void the warranty of the device or product. Should you nevertheless wish to carry out repairs on your device yourself, the brand does not take any responsibility for the reliability of the repairs and potential damage these may incur. Accidents that may occur as a result of these repairs are not the brand's responsibility. In case of doubt or when in need of assistance, contact an authorised retailer or the brand's customer support.




Pictogram	Meaning
	Always read the instructions carefully.
	Weight of the product alone.
	Maximum weight for the user of the product.
	Motor power of the device (in kW)
	Maximum speed of the device (in km/h)
	The exclamation point within an equilateral triangle is intended to alert the user to the presence of important operating and maintenance (servicing) instructions in the user's manual.
	This unit should not come into contact with water. Do not store the unit in a wet location.
	The lightning flash with arrowhead symbol within an equilateral triangle is intended to alert the user to the presence of «dangerous voltage» within the product's enclosure that may be of sufficient magnitude to constitute a risk of electric shock.
	This symbol indicates that this equipment has double electrical isolation between the (dangerous) voltage of the power source and the parts accessible by the user.
	Caution! Protective equipment including wrist guards, gloves, knee pads, helmet and elbow pads must be worn.
	Electrical and electronic equipment must be sorted and disposed of separately. Do not dispose of electrical and electronic equipment with normal, unsorted household waste, but bring it to a selective sorting center.
	This marking is used on the nameplate to indicate that the equipment operates on direct current only or to identify the corresponding terminals.
	This marking is used to identify the electronic device comprising the transformer and the electronic circuit, which converts electrical energy to one or more output connectors.

## 2. CONTENTS AND TECHNICAL SPECIFICATIONS

### This pack contains:

- yeeep.me CARGO electric bike
- Tools
- Original mains charger
- Battery lock key
- User manual
- Warranty manual
- CE declaration
- Warranty card **TO BE KEPT** (it contains the device's serial number and manufacture date, essential information for warranty purposes)

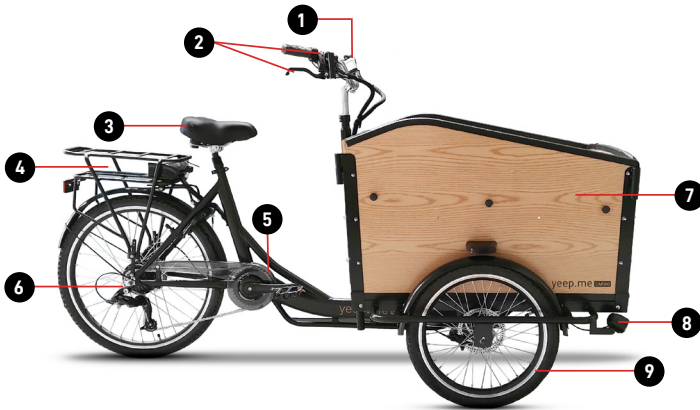
### Technical specifications:

<b>Battery :</b>	Lithium-ion 13Ah 36V
<b>Charging time :</b>	6-8h
<b>Autonomy :</b>	70 km max with assistance*
<b>Speed :</b>	25 km/h*
<b>Motor :</b>	500W Nominal 48V
<b>Charger :</b>	Input : 100-240V 2A 50-60 Hz Output : 42V  2A 84 W
<b>Maximum weight supported :</b>	120 kg
<b>Device weight :</b>	28.5 kg
<b>Device dimensions :</b>	91x190x125cm
<b>Model reference :</b>	BIGFOOT
<b>Charger reference :</b>	DPLC110V55

\* Generally speaking, range and speed are given as an indication. These vary according to the weight of the user and the conditions of use (slope, outside temperature, humidity, speed and motor load). Specifications may change. These speed and range guidelines do not constitute a contractual commitment on the part of the retailer or the CIBOX INTERACTIVE company.

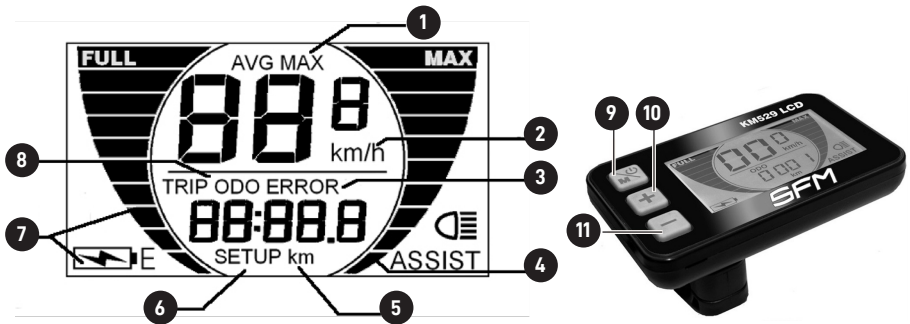
## 3. USE

### 3.1. DEVICE OVERVIEW



(1). Display (2). Front and rear hydraulic disc brake (3). Saddle (4). Removable battery and brake light (5). Pedals (6). Motor , derailleurs and rear disc brake (7). Removable battery (8). Front light (9). Front wheels

#### Commands :



(1). Average speed / Max speed (km/h) (2). Speed (km/h) (3). Error code (4). Assistance level (5). Distance covered (6). Setup (7). Battery charge level (8). Distance covered (TRIP) / Total distance (ODO) (9). MODE/on/off button (10). + button (11). - button

#### Operation:

- Press the MODE button (9) for 2 seconds to switch the display on or off.
- Press the MODE (9) and + (10) buttons for 2 seconds to toggle between SPEED / AVERAGE SPEED / MAX SPEED displays.
- Press MODE (9) to toggle between TRIP and ODO displays.
- To reset the distance covered (TRIP), press the MODE (9) and - (11) buttons

simultaneously for 2 seconds.

- To switch the headlights on or off, press the + button (10) for 2-3 seconds. An indicator will appear at the bottom right of the display to show whether the headlights are on or off.
- When the battery is empty, an E flashes next to the battery symbol (7). You'll need to charge your device immediately.
- To switch between assistance modes, press the + (10) and - (11) buttons after switching on the display. You can select from the 5 available assistance levels.

### **Assistance modes:**

The device has 5 speed modes. The electric assistance system is activated from 1 to 1.5 turns of the pedals.

- 0: no assistance, the mode selected when you switch on the display.
- 1: electric assistance stops when speed reaches 10km/h.
- 2: electric assistance will stop when speed reaches 14km/h.
- 3: electric assistance will stop when speed reaches 18km/h.
- 4: electric assistance stops when speed reaches 22km/h.
- 5: electric assistance will stop when speed reaches 25km/h.

### **Speeds :**

The device is equipped with 7 speeds.

You should change to a smaller number as soon as the effort becomes important. Conversely, to avoid the sensation of pedalling «in a vacuum», a higher number should be selected.

Use the gear lever on the handlebars to change gears.

### **Lighting :**

The lighting system is a safety feature of your bike, it must be obligatory on your bike. Check that your lighting system is working and that your batteries are charged before riding.

### **Doorbell :**

A bell is installed on your handlebars. The bell is a safety device on your bike, it must be obligatorily present on your handlebars.

### **Brakes :**

The right-hand handle activates your rear brake.

The left handle activates the front brake.

## **3.2. UNPACKING AND ASSEMBLING THE DEVICE**

To unpack the product, it is recommended to have a clear surface that is large enough to unpack and prepare the device. Take the device out of its packaging, making sure to not injure yourself or damage other products or your surroundings. Have someone

help you if the product is too heavy for you to handle on your own (the weight of the device is indicated on the packaging).

An adult must unpack and assemble the device.

### Mounting the pedals :

Use the R (right) and L (left) markings to identify them.

1. Mount the right pedal on the right crank arm. Tighten the pedal clockwise using the wrench provided.
2. Then screw the left pedal onto the left crank arm counterclockwise.

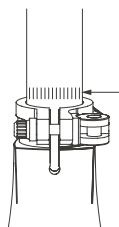
### Mounting the handlebar :

1. First orient the handlebars in the right direction.
2. Tighten the fixing screw on the stem using the wrench provided.
3. Check that the handlebars are correctly oriented.

### Assembly and adjustment of the saddle:

Loosen the nut on the seat post clamp to be able to change the height of the seat post in the frame.

Select a height and tighten the seat post clamp nut. When adjusting the saddle to its lowest position, make sure that the saddle does not touch any component of the bicycle such as the battery cover. Also, be sure not to exceed the minimum seat tube insertion mark. This insertion mark should never be visible when using the bike.



**IMPORTANT :** To determine your saddle height, sit on the bicycle and place a heel on the pedal in the down position with the crank parallel to the seat post. When your leg is extended the saddle height is correct.

### Recommended saddle height and user size:

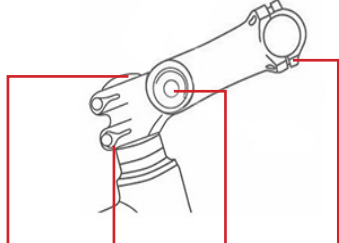
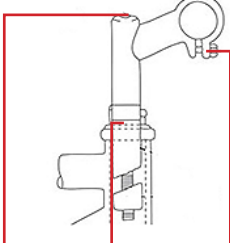
Wheel dimensions	Maximum height of the saddle	Minimum saddle height	Recommended user size*
26"	96 cm	84 cm	165 - 190 cm

\* Size for an «optimal» use of the device.

**Recommended tightening for handlebar, stem, saddle, seatpost and wheel components :**

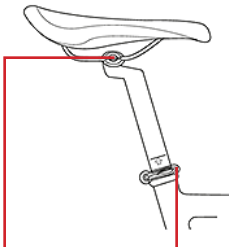
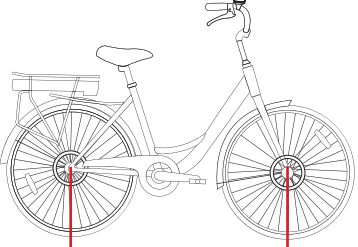
To ensure proper attachment of the handlebars, stem, saddle, seatpost and wheels, it is recommended to use appropriate tightening wrenches and to apply a tightening force in accordance with the specific tightening torques for each of the components of the following different bicycle models (in Nm):

### Stem and handlebars :

	MODEL with AHEADSET stem				MODEL with Plunger Stems		
							
Model	Stem on vertical screw frame head	Stem on frame head (fork)	Height Adjustment Stem	Handlebars on stem	Stem on vertical screw frame head	Stem nut on frame head (fork)	Handlebars on stem
yeep.me CARGO	5.9	5.9	15	3.2	/	/	/

**Caution:** The use of an aerodynamic or other extension placed on the handlebars can have a negative influence on the rider's response time during braking and cornering.

### Saddle and wheels :

	SADDLE		WHEELS	
				
Model	Saddle and seatpost	Seat post and seat tube (frame)	Rear wheel to frame	Front wheel to fork
yeep.me CARGO	22	quick lock	135	25

**Caution:** Under certain conditions, the controller, the charger, the mechanical disks and some parts of the product can reach high temperatures. Therefore, avoid contact or protect yourself (gloves, protections,...) before touching these parts within

minutes after using the product. Do not expose the product to temperatures above 50°C. Beyond this range the autonomy will be affected. Furthermore, in a confined environment, high temperatures will affect the composite materials of the product.

### 3.3. CHARGING AND BATTERY INDICATOR

Charge the battery before first use. To do so, charge the device using the charger supplied.



**IMPORTANT:** Only charge the device with the original charger supplied with the device by the manufacturer. In case of doubt, loss or malfunction, avoid charging the device with another charger. It is advised you obtain a new charger from your dealer. You will find the email address to contact customer support on the last page of the warranty manual.

Next, check the battery charge level before use, using the battery level indicator **(19)**. There are two ways to recharge the battery:

1. Remove the battery to recharge it.
2. Recharge the battery directly from the battery pack attached to the bike.

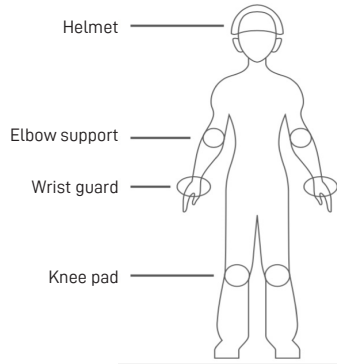
In any case, it is advisable to make the connections in the following order:

1. Connect the charger output plug to the battery first, then connect the charger input plug to the household electrical outlet.
2. Disconnect the input plug from the house power outlet first, then the output plug from the battery.

**Note:** We recommend recharging the battery after each use and at least once a month. The battery should be recharged indoors.

### 3.4. PREPARATION

For your own safety, we recommend you use this device in comfortable conditions, wearing protection equipment such as a helmet and appropriate protective gear for your joints (knee pads, elbow pads). For your own safety as well as that of others, drive the device wearing closed and preferably flat shoes to ensure you have a good grip and stability.



### 3.5. HOW TO USE THE DEVICE (READ BEFORE FIRST USE)

#### HELMET WEARING

We strongly advise you to equip yourself before riding the bike with at least one helmet, which must comply with the regulations on personal protective equipment and must be attached.

**WARNING:** The user must comply with the requirements of national regulations when using the bicycle on public roads, including compliance with the Highway Code.

**WARNING:** The user is obliged to install lighting, signalling and warning devices on the bicycle.

- It is forbidden to ride on the sidewalk, otherwise the bicycle must be held in the hand.

- Do not wear earphones or any device that may emit sound, or use a hand-held telephone.

The wearing of a certified retro-reflective vest is mandatory for all cyclists and passengers riding outside the city at night or when visibility is poor. The manufacturer declines all responsibility if the driver of the bicycle does not comply with the regulations in force.

#### 3.6. FIRST USE

Before each use, please check the general condition of your bike.

The good condition of wearing parts such as brakes, tires, steering, transmission, rims, etc. must be checked by the user before every use and regularly checked, serviced and adjusted by a qualified mechanic.



Be sure to properly maintain your bike according to the instructions in the user's manual.

The ideal temperature range for the use of electric bicycles is between 5 and 25°C. Using your electric bicycle in low temperatures, less than 5°C, will not damage your battery but may reduce performance.

The device emits an average sound pressure of less than 70dB at the user's ears.

**WARNING:** Like any mechanical component, a bicycle is subject to high stress and wear. Different materials and components can react differently to wear and fatigue. If a component has exceeded its service life expectancy, it may break off in a single blow, possibly causing injury to the cyclist. Cracks, scratches, and discoloration in high stress areas indicate that the component has exceeded its life expectancy and should be replaced.

1. Check that the battery is securely in place and locked with the key in the «LOCK» position.
2. Turn on the unit by pressing the ON/OFF button on the control panel.
3. Start pedaling like a regular bicycle.

## SCREEN ERROR CODES

N°	Meaning
21	Current Abnormal
22	Throttle Abnormal
23	Motor phase problem
24	Motor Hall defect
25	Brake Failed
30	Abnormal Communication

### 3.7. HOW TO REMOVE AND REPLACE THE BATTERY

Turn the key to the right and then use the handle to unlock the battery and remove it. To replace the battery, do the reverse.

### 3.8. ASSISTANCE, PARKING AND AUTONOMY

#### **Pedaling assistance :**

The bike is equipped with an electric pedaling assistance. The motor, located in the

hub of the rear wheel, starts once the user starts pedaling and completes his efforts. The operation of the electric assistance depends on the speed of the pedals and the speed of the bicycle. As stipulated by current European legislation, the 250W motor stops at 25 km/h and switches off as soon as the user stops pedaling.

To increase or decrease the power of the motor and therefore of the electric assistance, press the buttons on the control panel.

### **Parking :**

- Turn off the power by pressing the ON/OFF button on the control panel.
- Lock the battery with the key or remove it and take it with you when the unit is not in use.
- It is advisable to attach the unit when not in use to prevent theft.
- Never park the unit outside when it rains or snows. Prefer a garage that is dry and well ventilated. After a trip in rain or snow, take the unit to a sheltered place and wipe off any moisture with a clean, dry towel.

### **Mileage/Autonomy :**

Many factors affect the rate of electric power usage and range as outlined in Part 4. In order to maximize the range of your unit, it is important to take note of the following points:

- Fully charge the battery before a long trip.
- The advertised autonomy is measured under optimal conditions of use. User weight, driving speed, rough roads and hilly terrain, tire pressure, headwind, frequent changes in speed and braking (in town) and outside temperature are all factors that affect the range of the device.
- Driving with properly inflated tires and a clean, well-lubricated unit saves energy.
- Regularly check the brake settings and make sure both wheels are moving freely (that the brakes do not rub the wheel while driving).
- Battery capacity decreases as it ages.

## **3.9. SPEED LIMITS**

**WARNING :** The product is designed to travel at a speed of 25 km/h. Ensure you are following the usage restrictions of this product in terms of the road safety norms of the country where you are using it.

**WARNING :** The user must comply with the requirements of national regulations when using the bicycle on public roads, including compliance with the Highway Code. The manufacturer declines all responsibility if the driver of the bicycle does not comply with the regulations in force.

## **3.10. DRIVER WEIGHT**

The driver's weight cannot exceed 120 kg.

Note: not respecting this weight limit increases the risk of falling or damaging the

## 4. MAINTENANCE AND CLEANING

### 4.1. BATTERY

The capacity of lithium batteries decreases after several charging and recharging cycles throughout its lifespan. The concept of life cycle exists for lithium batteries (for example, about 300 on a scooter). This means that from 300 COMPLETE cycles of charges and discharges, the battery will begin to lose its capacity (similar to a smartphone battery).

This partial loss of capacity will not prevent the battery from functioning, but will alter its performances and especially its operating life.

The device must be used and its battery recharged at least once a month: a lithium battery will lose its charge even when the product is off. This is why a battery that has not been charged for several weeks or less could lose some of its capacity and become impossible to recharge.

In addition, it is possible to recharge a lithium battery after each use because there is no memory effect.

**WARNING:** charging the battery must only be done indoors or in a place that is protected from weather (rain, snow, excessive heat...)

**In order to better preserve your device's battery, here are some reminders and instructions for use:**

- Do not unplug the charger before the battery is fully charged.
- Store the product containing the battery in a cool place (temperature > 0°C), preferably around 15°C. Be careful, as excessive heat will also damage the battery.
- Avoid deep discharges.
- Avoid recharging the battery right after use. Allow the device to rest for between 15 minutes and 1 hour after use before charging.
- Avoid overloads. Do not leave the charger plugged in for more than 24 hours, as it will heat up needlessly.

**Notice:** We recommend recharging the battery, if not in use, after each use and at least once a month.

**Important:** If you are not near a charging point when the battery is down to its last quarter, we recommend switching to eco mode.

**Tip:** As you drive, the battery level indicator on the display may suddenly decrease depending on your driving style and conditions (heavy use of the accelerator, riding uphill, outside temperature below 10°C, etc.). Be aware that the actual battery level displayed will be most accurate when the device is turned off.

### 4.2. INSPECTING AND MAINTAINING YOUR DEVICE

Your product requires routine inspection and maintenance. This chapter describes maintenance and operation steps. Before performing the following operations, make sure that the power is off and that the charging cable is unplugged. Before each use, carefully check:

- The tightness of the handles.
- That the wheels are functioning properly by lifting the device and running the wheels idle.
- The column, the steering tube, nothing must prevent it from turning. The entire steering system must be correctly adjusted and all connecting elements and screws tightened and in good condition.
- Check the tightness of the screws, the front and rear wheels, shock absorbers, and bonnet, and tighten again if necessary. These adjustments may be needed because of vibrations caused by using the device.
- The condition of the tyres. Tyre pressure if the unit is equipped with air wheels, and inflate as soon as is necessary using a bicycle pump or similar.
- The brakes, drum linings, brake pads, foot brake, depending on the unit. If the unit is equipped with mechanical brakes (disc, drum, foot), ensure they are not rubbing due to cable tension or exhibiting any other problems, as this may cause the unit to slow down and prevent it from operating normally. Overheating may impact the brake's efficiency.
- Check that the electric brake is functioning properly if the unit is equipped with one.

If after adjusting you notice looseness that may affect your ability to drive safely, or if an unusual noise appears, or a lack of fluidity is apparent, stop using the unit and contact your dealer for more information or care.

If the product, a component, or the battery are worn out, please contact an authorised service centre to repair or recycle your product.

### **MAINTENANCE AND SPARE PARTS :**

Your bike requires regular maintenance for your safety but also to increase its life span. It is important to check the mechanical components periodically to ensure that worn or worn parts are replaced if necessary.

The battery must be removed before each maintenance operation.

**WARNING:** When replacing components it is important to use original parts to maintain the performance and reliability of the bicycle. Only manufacturer's parts are considered original parts.

**WARNING:** It is the responsibility of the user in case of purchase and use of fake (counterfeit) parts that subsequently cause damage to the product, person or environment.

Make sure to use appropriate spare parts for tires, inner tubes, transmission elements and various components of the braking system. If you have any questions, please contact the service department or your dealer.

The manufacturer cannot be held responsible for improper use or incorrect

installation.

**WARNING 1:** Like all mechanical components, EPAC is subject to wear and high stress. Different materials and components can react to wear or stress fatigue in different ways. If a component's rated life has been exceeded, it may fail suddenly, resulting in injury to the operator. Any form of cracking, scratching, or color change in the high stress areas indicates that the life of the component has been reached and must be replaced.

**WARNING 2:** For composite components, impact damage may be invisible to the user, the manufacturer must explain the consequences of impact damage and that in case of impact, composite components must either be returned to the manufacturer for inspection or destroyed and replaced.

## LUBRICATION

Lubrication is essential on the various components that are in motion to prevent corrosion. Oil the chain regularly, brush the sprockets and chainrings, periodically introduce a few drops of oil into the brake and derailleur cable housings.

It is advisable to first clean and dry the components to be lubricated. It is advisable to use oil specifically for the chain and derailleur. Grease should be used for the other components.

## PNEUMATICS

It is strongly recommended to check tire pressure periodically. Driving with under-inflated or over-inflated tires can impair performance, cause premature wear, cause rim damage, reduce range or increase the risk of accidents. If severe wear or a notch is visible on any tire, replace it before riding the bicycle.

**IMPORTANT :** A pressure range is indicated on the sidewall of the tire by the manufacturer. The pressure must be adjusted according to the user's weight.

## BRAKES

Before each use, check that the front and rear brakes are in perfect working order. Check the brakes regularly to prevent accidents due to brake malfunction.

The brake lever must not come into contact with the handlebars and the sheaths must not be at a closed angle so that the cables slide with the minimum of friction. Damaged, frayed, rusted cables must be changed immediately.

**WARNING:** In rain or wet weather the braking distances are extended.

## RIMS

Check the condition of the rim and clean it if it is dirty to avoid premature deterioration. Do not ride with a damaged or cracked rim that could cause an accident.

## CABLES

Make sure that the cable ports are not loose or broken.

## SCREW

Check the screws in the main parts, and make sure to tighten them regularly. Vibrations of the unit while driving cause vibrations that loosen the screws.

## BATTERY

For your safety and to optimize battery operation, always store the battery in a dry, well-ventilated area away from moisture. It must not be subjected to blows or have faulty wiring.

**WARNING:** Use only the battery supplied. Do not use or charge non-rechargeable batteries.

## CHARGER

Make sure that the charger cord is not damaged or that the wires are exposed to avoid short circuits. The input and output sockets must not be damaged or deformed.

**WARNING:** Be sure to use only the charger supplied with the product.

## LUGGAGE RACK

If your bike is sold with a luggage rack. It is already fixed above your rear wheel. Fasteners should be tightened and checked frequently.

Your luggage carrier is designed for a maximum load not to exceed 25kg. It is possible to attach a child seat.

When using a spring loaded saddle, these must be protected to prevent finger entrapment. Your luggage carrier is not designed to tow a trailer.

For safety reasons, luggage should only be transported on the luggage carrier. When the luggage rack is loaded, the behavior of your bicycle may change. Luggage must not obscure the reflectors and lights of your bicycle.

Distribute the luggage load evenly to promote the stability of your bicycle. All luggage must be securely fastened to the luggage rack, before each use it is important to check that nothing can get caught in the rear wheel of the bicycle.

Do not adjust the luggage rack arbitrarily, please ask your dealer for advice on how to adjust it if necessary. Do not modify the luggage rack, any modification of the luggage rack by the user will invalidate these instructions.

### **Warnings about the risks associated with incorrect assembly or adjustment of the various components of the bicycle:**

Failure to follow these instructions may result in improper use of your bike, premature wear of certain components that may lead to a fall and/or accident.

## 4.3. CLEANING YOUR DEVICE

Follow these instructions and precautions for cleaning the device:

- Unplug all the device's charging cables before cleaning it.

- Never immerse in water.
- Do not use a high-pressure cleaner, water jet or any other appliance or washing method that would allow water to seep into the device.
- Clean the device with a slightly damp sponge or a soft cloth, avoiding the connectors and buttons and making sure water is not allowed to seep into the plugs, circuits or inside the product.
- Do not use water or liquid cleaners directly on the device to clean it.
- Do not use abrasive products or solvents as these could damage the paint on your device.
- Be careful when cleaning and wiping plastic parts.
- Do not use abrasive products or solvents to clean metal or plastic parts.

#### 4.4. STORING YOUR DEVICE

- Fully charge your device before storing it.
- Store your product indoors in a clean and dry place with an ambient temperature ranging from 0°C to 40°C.

## 5. FAQ & WARRANTY

### 5.1. FAQ

#### **Your device does not turn on**

Check that the ON/OFF button is not damaged and recharge your device before trying again.

#### **Your device cannot be recharged**

Check that the connections of the product and the original charger are not damaged. In order to identify whether the charger or the device is faulty, check that the charge indicator on the charger is on. When the charger is connected to the mains and to the product, the indicator will be:

- **RED** (indicates that the device is charging)
- **GREEN:** indicates that the device is fully charged.
- **RED-GREEN:** flashing alternatively. This happens when the battery is very low. Wait 15 minutes while staying nearby. If the indicator turns red, the device is now charging normally.

If the indicator keeps flashing, that means there is an issue with the charger or the product (battery, connector...).

If the problem persists, please contact an authorised service centre for repairs.

#### **If the device is not running smoothly:**

This can happen when you overload the engine while the battery is not fully charged.

In such a case, it is necessary to press the accelerator more slowly and especially to check that the battery is fully charged.

## **5.2. WARRANTY**

For information on warranty conditions and limitations of liability, please refer to the warranty manual provided, or consult it online using the QR code found on the last page or by entering the following address:

**[download.yeep.me](https://download.yeep.me)**







Merci pour votre achat.  
Bienvenue chez yeep.me

FR

## TABLE DES MATIÈRES

<b>1. CONSIGNES DE SÉCURITÉ</b>	<b>28</b>
<b>2. CONTENU DE LA BOITE ET DONNÉES TECHNIQUES</b>	<b>33</b>
<b>3. PRESENTATION ET UTILISATION DE L'APPAREIL</b>	<b>34</b>
<b>4. ENTRETIEN ET NETTOYAGE</b>	<b>42</b>
<b>5. FAQ ET CONDITIONS DE GARANTIE</b>	<b>48</b>

*Avant d'utiliser le produit, veuillez lire attentivement les consignes d'utilisation. Celles-ci vous permettront de comprendre, d'utiliser et d'entretenir correctement ce produit, et de connaître ses performances et fonctionnalités. Conservez ce manuel pour toute référence ultérieure. Si vous cédez le produit veuillez à transmettre le manuel avec celui-ci.*

# 1. CONSIGNES DE SÉCURITÉ

**1.** Cet appareil est conçu pour se déplacer de façon individuelle, pour les adolescents et les adultes.

L'utilisation, le nettoyage, l'entretien ou toutes manipulations sur l'appareil ne doivent pas être effectués par des enfants de moins de 12 ans.

Cet appareil peut être utilisé par des enfants âgés d'au moins 12 ans et par des personnes ayant des capacités physiques, sensorielles ou mentales réduites ou dénuées d'expérience ou de connaissance, s'ils (si elles) sont correctement surveillé(e) s ou si des instructions relatives à l'utilisation de l'appareil en toute sécurité leur ont été données et si les risques encourus ont été appréhendés. Les enfants ne doivent pas jouer avec l'appareil. Le nettoyage et l'entretien par l'utilisateur ne doivent pas être effectués par des enfants sans surveillance. Il en va de la responsabilité des parents et convient de ne jamais laisser un enfant sans surveillance utiliser cet appareil. Le produit doit être rangé hors de portée des enfants.

Le chargeur peut être utilisé par des enfants âgés d'au moins 8 ans et par des personnes ayant des capacités physiques, sensorielles ou mentales réduites ou dénuées d'expérience ou de connaissance, s'ils (si elles) sont correctement surveillé(e)s ou si des instructions relatives à l'utilisation de l'appareil en toute sécurité leur ont été données et si les risques encourus ont été appréhendés. Veiller à n'utiliser que le chargeur fourni avec le produit.

Ne pas transporter une autre personne notamment un ou des enfants ni des biens. Le dépassement de la limite de poids peut être une cause de blessure et d'endommagement de l'appareil. Le poids de l'utilisateur ne signifie pas que sa taille peut convenir à garder le contrôle de l'appareil.

**2.** C'est un appareil de déplacement individuel. Ce n'est donc pas un appareil conçu pour les compétitions, les sports extrêmes et ne doit jamais être utilisé dans un skate park. Vous ne devez pas l'utiliser pour monter ou descendre des escaliers, faire des sauts, franchir des obstacles, réaliser des figures ou des actes dangereux. Cet appareil n'est ni jouet ni un accessoire de fitness.

Ce produit n'a pas été conçu pour un usage à des fins professionnelles ou commerciales, telles que : la location, une flotte de véhicules, des déplacements professionnels.

**3.** Cet appareil doit être utilisé avec prudence sur une surface plane, propre, sèche, exempte de graviers et de graisse car l'appareil a besoin de friction entre les roues et le sol pour avancer. Évitez les obstacles, trous, bosses et les grilles d'égoûts pouvant provoquer des accidents. Ralentissez sur les dos d'âne.

Tenez-vous à distance des autres usagers et respectez les règles de la sécurité

routière. Vous n'êtes pas à l'abri des risques encourus par le comportement des autres usagers. Anticipez les obstacles et la circulation par une vitesse adaptée. La distance d'arrêt est corrélée à votre vitesse, soyez vigilant à anticiper les distances de freinage par temps et/ou chaussée humide. Evitez les manœuvres et freinages brusques ; l'appareil peut glisser, perdre l'équilibre, voire tomber, même sur une surface lisse et plate. Vous devez toujours être très vigilant et rester à l'écart des piétons et usagers sur la voie publique qui pourraient traverser sans vous avoir vu. **AVERTISSEMENT !** Ne jamais utiliser le produit hors des espaces autorisés par la réglementation.

**4. ATTENTION !** Cet appareil est conçu pour un usage en extérieur. Il est de votre responsabilité de connaître et de respecter les réglementations en vigueur pour et sur le lieu d'utilisation sur les voies publiques ou privées.

**5.** Effectuer la période d'apprentissage de l'appareil dans un lieu ouvert et plat sans trop d'usagers autour de vous, en prenant soin de porter un casque de protection.

Lorsque vous vous déplacez avec cet appareil, vous devez toujours porter des chaussures solides et un pantalon. Ne faites pas fonctionner cet appareil si vous êtes pieds nus ou si vous portez des sandales ouvertes. Évitez de porter des vêtements trop amples ou munis de cordons ou d'attaches qui pendent, écharpes etc... qui pourraient être happés par la rotation de la roue. Cela pourrait entraîner des risques d'étouffement, de chute et/ou de collision.

**6.** Ne pas rouler sous la pluie, sous la neige, dans des flaques d'eau, dans la boue ou tout autre point humide de plus de 2cm d'eau au sol qui permettrait à l'eau de s'infiltrer à l'intérieur de l'appareil. Pour le nettoyage de votre appareil, appliquer les consignes de la rubrique 4.3.

Ne pas utiliser cet appareil si la visibilité est mauvaise. Si vous circulez de nuit ou par temps sombre il est recommandé de porter un vêtement ou équipement rétro-réfléchissant (par exemple un gilet, un brassard, ...). Au-delà de cette recommandation, vous devez vous référer aux obligations en vigueur sur le lieu et pays d'utilisation en matière d'équipement.

**7.** Ne pas utiliser cet appareil si vous êtes sous l'emprise de l'alcool ou de drogues. Pour votre sécurité, un tel usage est formellement interdit.

**8.** Ne pas laisser le produit à la portée de quelconque personne pouvant démarrer le produit sans l'autorisation de l'utilisateur principal ou sans information et connaissance préalable de ces mesures/consignes de sécurité et utilisation.

Si vous prêtez cet appareil à quelqu'un, veillez à ce qu'il sache comment l'utiliser et lui expliquer toutes ces consignes de sécurité. Vous devez lui rappeler de respecter

le code de la route et le port d'un équipement de sécurité adapté.

**9.** Un appareil de mobilité est soumis à des contraintes physiques de par son usage, sa conception et selon son mode d'utilisation. C'est pourquoi il est impératif d'inspecter l'appareil avant chaque utilisation et vérifier le bon fonctionnement de tous les dispositifs de sécurité (freinage, éclairage). Les différents points de contrôle et maintenance à apporter à votre appareil sont détaillés en section 4.2.

Si vous remarquez des pièces desserrées, des alertes de niveau de batterie faible, des pneus crevés, une usure excessive, des bruits étranges, un mauvais fonctionnement et tout autre élément anormal, arrêtez immédiatement de rouler avec cet appareil et demandez l'aide de professionnels.

**10.** NE PAS UTILISER L'APPAREIL OU CHARGER LA BATTERIE DANS LES CIRCONSTANCES SUIVANTES :














- Le produit est endommagé.
- Une odeur et une chaleur anormales se dégagent de la batterie.
- Les commandes de freins, autres dispositifs de freinage ou de sécurité (éclairages) sont endommagés.

Cessez l'utilisation et ne touchez aucun liquide émanant de l'appareil en cas de fuite. La batterie de l'appareil ne doit jamais être exposée à une chaleur excessive.

**11.** La batterie ne peut pas être remplacée par l'utilisateur. Veuillez consulter le service après-vente de votre revendeur ou la marque pour toute modification/entretien de l'appareil.

**12.** La batterie comme les piles doivent être mises au rebut de manière convenable. En cas d'impossibilité de retourner votre produit auprès de votre revendeur, placez-les dans des containers prévus à cet effet (consultez le support de la marque pour plus d'informations) afin de protéger l'environnement.

**13.** Toute ouverture de l'appareil ou du produit peut engendrer une modification à la sécurité pour laquelle la marque ne se porte pas responsable. Il est important de noter également que cette ouverture annule la garantie dudit appareil ou produit. Si vous souhaitez malgré tout effectuer les réparations de votre appareil ou produit, la marque décline toute responsabilité quant à la fiabilité de la réparation et des potentiels dommages liés à cette réparation. Un accident qui pourrait survenir à la suite de cette réparation ne sera en rien la responsabilité de la marque. En cas de doute ou besoin d'assistance, veuillez vous rapprocher d'un revendeur agréé ou du support client de la marque.

Pictogramme	Signification
	Lisez toujours attentivement les instructions.
	Poids du produit seul.
	Poids maximal de l'utilisateur du produit.
	Puissance du moteur de l'appareil (en kW)
	Vitesse maximale de l'appareil (en km/h)
	Le point d'exclamation à l'intérieur d'un triangle équilatéral a pour but d'alerter l'utilisateur de la présence d'instructions importantes concernant le fonctionnement et la maintenance (entretien) dans le manuel de l'utilisateur.
	Cet appareil ne doit pas entrer en contact avec l'eau. Ne pas stocker l'appareil dans un endroit humide.
	Le symbole de l'éclair avec une pointe de flèche dans un triangle équilatéral est destiné à alerter l'utilisateur de la présence d'une «tension dangereuse» dans l'enceinte du produit, d'une magnitude suffisante pour constituer un risque de choc électrique.
	Ce symbole indique que cet équipement possède une double isolation électrique entre la tension (dangereuse) de la source d'alimentation et les parties accessibles par l'utilisateur.
	Attention ! Il faut porter un équipement de protection comprenant des protège-poignets, des gants, des genouillères, un casque et des coudières.
	Les équipements électriques et électroniques doivent être triés et éliminés séparément. Ne jetez pas les équipements électriques et électroniques avec les déchets ménagers normaux et non triés, mais apportez-les à un centre de tri sélectif.
	Ce marquage est utilisé sur la plaque signalétique pour indiquer que l'équipement fonctionne uniquement en courant continu ou pour identifier les bornes correspondantes.
	Ce marquage est utilisé pour identifier le dispositif électronique comprenant le transformateur et le circuit électronique, qui convertit l'énergie électrique en un ou plusieurs connecteurs de sortie.

## 2. CONTENU DE LA BOITE

### Ce pack contient :

- Vélo à assistance électrique yeep.me CARGO
- Outil(s) (3 clés à six pans, 1 clé plate multiple)
- Chargeur secteur d'origine
- Clés (x2)
- Manuel utilisateur
- Déclaration CE
- Carte de garantie **A CONSERVER** (elle contient le n° de série de l'appareil et sa date de fabrication, informations indispensable pour la garantie de l'appareil)

### Données techniques :

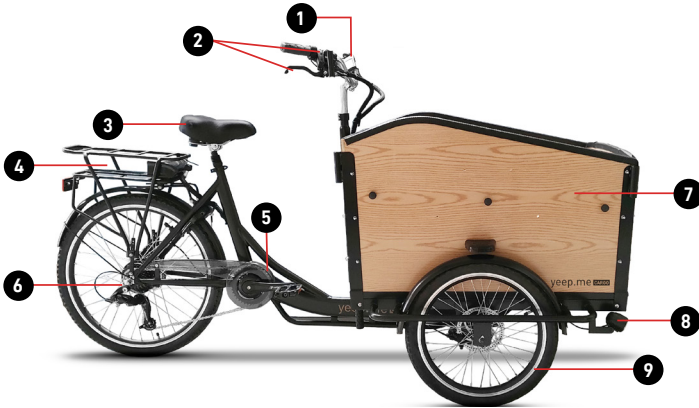
<b>Batterie :</b>	Lithium-ion 13Ah 36V
<b>Temps de chargement :</b>	6-8h
<b>Autonomie :</b>	70 km max with assistance*
<b>Vitesse :</b>	25 km/h*
<b>Moteur :</b>	500W Nominal 48V
<b>Chargeur :</b>	Input : 100-240V 2A 50-60 Hz Output : 54.6V $\overline{=}$ 2A 109.2 W
<b>Poids maximal supporté :</b>	120 kg
<b>Poids de l'appareil :</b>	28.5 kg
<b>Dimensions de l'appareil :</b>	212x28x146cm
<b>Référence modèle :</b>	BIGFOOT
<b>Référence chargeur</b>	DPLC110V55

\* D'une façon générale, l'autonomie et la vitesse sont données à titre indicatif. Elles varient selon le poids de l'utilisateur et les conditions d'utilisation (pente, température extérieure, hygrométrie, vitesse et sollicitation du moteur). Les spécifications sont susceptibles d'évoluer. Ces indications de vitesse et d'autonomie ne constituent pas un engagement contractuel de la part du revendeur ou de la société CIBOX INTERACTIVE.



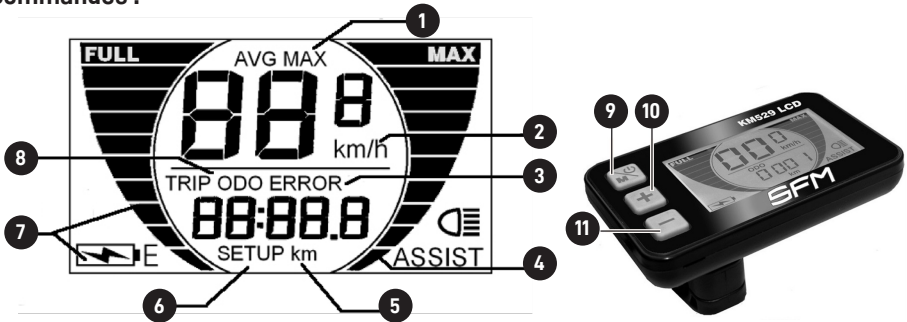
# 3. UTILISATION

## 3.1. PRÉSENTATION DE L'APPAREIL



(1). Écran (2). Frein à disque hydraulique avant et arrière (3). Selle (4). Feu de stop (5). Dérailleur, frein à disque arrière (6). Moteur (7). Batterie amovible (8). Feu avant (9). Fourche avant hydraulique (10). Frein à disque hydraulique avant

### Commandes :



(1). Vitesse moyenne / Vitesse max (km/h) (2). Vitesse (km/h) (3). Code d'erreur (4). Niveau d'assistance (5). Distance parcourue (6). Setup (7). Niveau de charge de la batterie (8). Distance parcourue (TRIP) / Distance totale (ODO) (9). Bouton MODE / marche/arrêt (10). Bouton + (11). Bouton -

### Utilisation :

- Appuyez sur le bouton MODE (9) pendant 2 secondes pour allumer ou éteindre l'écran.
- Appuyez sur les boutons MODE (9) et + (10) pendant 2 secondes pour basculer entre les affichages VITESSE / VITESSE MOYENNE / VITESSE MAX

- Appuyez sur le bouton MODE (9) pour basculer entre les affichages TRIP et ODO.
- Pour réinitialiser la distance parcourue (TRIP), appuyez simultanément sur les boutons MODE (9) et - (11) pendant 2 secondes.
- Pour allumer ou éteindre les phares; appuyez sur le bouton + (10) pendant 2 à 3 secondes. Un indicateur s'affichera en bas à droite de l'écran pour indiquer si les phares sont allumés ou éteints.
- Lorsque la batterie est vide, un E clignote à côté du symbole de batterie (7). Vous devez alors charger immédiatement votre appareil.
- Pour basculer entre les modes d'assistance, appuyez sur les boutons + (10) et - (11) après avoir allumé l'écran. Vous pouvez sélectionner parmi les 5 niveaux d'assistance disponibles.

### **Modes d'assistance:**

L'appareil dispose de 5 modes de vitesses. Le système d'assistance électrique se déclenche à partir de 1 à 1,5 tour de pédales.

0 : aucune assistance, c'est le mode sélectionné lorsque vous allumez l'écran.

1 : l'assistance électrique s'arrêtera lorsque la vitesse a atteint 10km/h.

2 : l'assistance électrique s'arrêtera lorsque la vitesse a atteint 14km/h.

3 : l'assistance électrique s'arrêtera lorsque la vitesse a atteint 18km/h.

4 : l'assistance électrique s'arrêtera lorsque la vitesse a atteint 22km/h.

5 : l'assistance électrique s'arrêtera lorsque la vitesse a atteint 25km/h.

### **Vitesses :**

L'appareil est équipé de 7 vitesses.

Il faut changer de vitesse vers un chiffre plus petit dès que l'effort devient important. A l'inverse, pour éviter la sensation de pédaler « dans le vide », il faudra sélectionner un chiffre plus grand.

Utiliser le levier de vitesse sur le guidon pour changer les vitesses.

### **Éclairage :**

Le système d'éclairage est un équipement de sécurité de votre vélo, il doit être obligatoirement présent sur votre vélo. Vérifier que votre système d'éclairage fonctionne et que vos piles sont chargées avant de prendre la route.

### **Sonnette :**

Une sonnette est installée sur votre guidon. La sonnette est un équipement de sécurité de votre vélo, elle doit être obligatoirement présente sur votre guidon.

### **Freins :**

La poignée droite active votre frein arrière.

La poignée gauche active le frein avant.

## **3.2. DÉBALLAGE ET MONTAGE DE L'APPAREIL**

Pour déballer le produit, il est conseillé de prévoir une surface dégagée assez grande pour opérer le déballage et la préparation de l'appareil. Sortez l'appareil de son carton en veillant à ne pas vous blesser ou à endommager d'autres produits ou le local autour de vous. Faites vous aider d'une personne si le poids du produit est trop lourd pour vous (le poids est indiqué sur l'emballage).

Le déballage et le montage doivent être effectués par un adulte.

### Montage des pédales :

Utiliser les marquage **R** (droite) et **L** (gauche) pour les identifier.

1. Monter la pédale droite sur le bras de manivelle droit. Serrer la pédale dans le sens horaire à l'aide de la clé fournie.
2. Vissez ensuite la pédale gauche sur le bras de manivelle gauche, dans le sens anti-horaire.

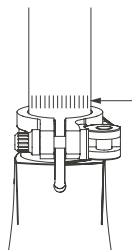
### Montage du guidon :

1. Orienter d'abord le guidon dans le bon sens.
2. Serrer la vis de fixation sur la potence à l'aide de la clé fournie.
3. Vérifier que le guidon est correctement orienté.

### Montage et réglage de la selle:

Desserrer l'écrou du collier de la tige de selle pour pouvoir modifier la hauteur de celle-ci dans le cadre.

Choisir une hauteur et resserrer l'écrou du collier de tige de selle. Lors du réglage de la selle dans sa position la plus basse, assurez-vous que celle-ci ne touche aucun composant du vélo comme par exemple la coque de protection de la batterie. De même, veillez à ne pas dépasser le repère minimum d'insertion du tube de selle. Ce repère d'insertion ne doit jamais être visible lors de l'utilisation du vélo.



**IMPORTANT :** Pour déterminer votre hauteur de selle, asseyez-vous sur la bicyclette et posez un talon sur la pédale en position basse, manivelle parallèle à la tige de selle. Lorsque votre jambe est tendue la hauteur de selle est correcte.

### Hauteur de selle et taille d'utilisateur recommandée:

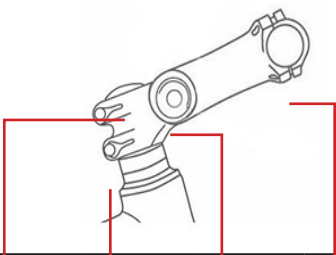
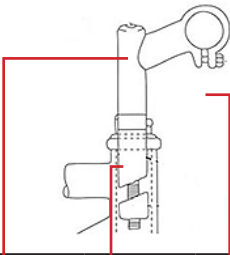
Dimensions des roues	Hauteur maximum de la selle	Hauteur minimum de la selle	Taille d'utilisateur recommandée*
20"	96 cm	84 cm	165 - 190 cm

\* Taille pour une utilisation «optimale» de l'appareil.

### Serrage recommandé pour les éléments du guidon, potence, selle, tige de selle et roues:

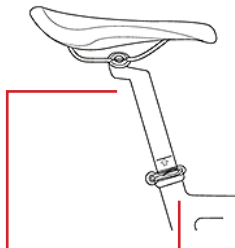
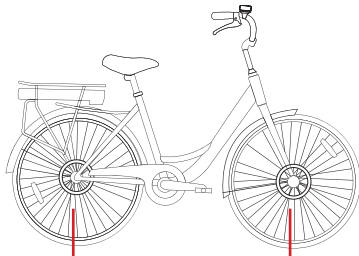
Pour assurer la bonne fixation du guidon, de la potence, de la selle, de la tige de selle et des roues, il est recommandé d'utiliser des clés de serrage appropriées et d'appliquer une force de serrage conformément aux couples de serrage spécifiques à chacun des composants des différents modèles de bicyclettes suivants (en Nm):

#### POTENCE et GUIDON :

	MODELE avec Potence AHEADSET				MODELE avec Potence Plongeur		
							
Plateforme	Potence sur tête de cadre vis verticale	Potence sur tête de cadre (fourche)	Potence réglage hauteur	Guidon sur potence	Potence sur tête de cadre vis verticale	Ecrou potence sur tête de cadre (fourche)	Guidon sur potence
yeep.me CARGO	5.9	5.9	15	3.2	/	/	/

**Attention:** L'utilisation d'une extension aérodynamique ou autre placée sur le guidon peut avoir une influence négative sur le temps de réponse du cycliste lors du freinage et dans les virages.

#### SELLE ET ROUES :

	SELLE		ROUES	
				
Plateforme	Selle et tige de selle	Tige de selle et tube de selle (cadre)	Roue arrière au cadre	Roue avant à la fourche
yeep.me CARGO	3.6	blocaque rapide	35	blocaque rapide

**Attention:** Dans certaines conditions, le contrôleur, le chargeur, les disques mécaniques et certaines parties du produit peuvent atteindre des températures élevées. Éviter donc tout contact ou se protéger (gants, protections,...) avant de toucher ces parties dans les minutes suivant l'utilisation du produit.

Ne pas exposer le produit à des températures supérieures à 50°C. Au delà de cette plage l'autonomie sera affectée. De plus, dans un environnement confiné, une forte température aura une influence sur les matériaux composites du produits.

### 3.3. MISE EN CHARGE ET INDICATEUR DE BATTERIE

Chargez la batterie avant la première utilisation. Pour cela, veuillez recharger cet appareil à l'aide du chargeur fourni.

**IMPÉRATIF:** Toutes les opérations de charge doivent être impérativement effectuées avec le chargeur d'origine fourni avec l'appareil. En cas de doute, de perte ou de non fonctionnement, ne pas charger l'appareil avec un autre chargeur. Il convient de vous en procurer un nouveau auprès de votre revendeur. Vous trouverez l'email du support à contacter en dernière page du manuel de garantie.

Par la suite, vérifiez le niveau de charge de la batterie avant toute utilisation, grâce à l'indicateur de niveau de batterie **(19)**.

Il y a deux façons de recharger la batterie:

1. Retirer la batterie pour la recharger.
2. Recharger directement la batterie fixée sur le vélo.

Dans tous les cas, il est conseillé d'effectuer les branchements dans l'ordre suivant :

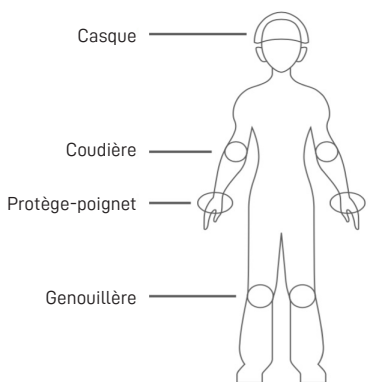
1. Brancher en premier la fiche de sortie du chargeur sur la batterie, puis brancher la fiche d'entrée du chargeur sur la prise de courant de la maison.
2. Débrancher en premier la fiche d'entrée de la prise de courant dans la maison, puis

la fiche de sortie de la batterie.

**Remarque:** Nous vous recommandons de recharger la batterie après chaque utilisation et au minimum une fois par mois. La batterie doit être rechargée en intérieur.

### 3.4. PRÉPARATION

Pour votre sécurité, nous vous recommandons d'utiliser cet appareil dans des conditions confortables avec un équipement de protection tel qu'un casque, des gants et des protections appropriées pour vos articulations (genouillères, coudières). Pour votre sécurité et celles des autres, vous devez conduire et utiliser l'appareil en portant des chaussures fermées ; et de préférence plates afin d'avoir une bonne adhérence et stabilité.



### 3.5. COMMENT UTILISER L'APPAREIL (à lire avant toute première utilisation)

## PORT DU CASQUE

Nous vous conseillons fortement de vous équiper avant de monter sur le vélo d'un casque au minimum, qui doit être conforme à la réglementation relative aux équipements de protection individuelle et qui doit être attaché.

**ATTENTION** : L'utilisateur doit se conformer aux exigences de la réglementation nationale lorsque la bicyclette est utilisée sur la voie publique et notamment le respect du code de la route.

**ATTENTION** : L'utilisateur a pour obligation l'installation sur la bicyclette de dispositif d'éclairage, de signalisation et d'un appareil avertisseur.

- Il est interdit de circuler sur le trottoir, sinon le vélo doit être tenu en main.
- Il est interdit de porter à l'oreille des écouteurs ou tout appareil susceptible d'émettre du son, ou d'utiliser le téléphone tenu en main.

Le port d'un gilet rétro-réfléchissant certifié est obligatoire pour tout cycliste, et son éventuel passager, circulant hors agglomération, la nuit, ou lorsque la visibilité est insuffisante. Le fabricant décline toutes responsabilités si le conducteur de la bicyclette ne respecte pas la réglementation en vigueur.

## 3.6. PREMIÈRE UTILISATION

Avant chaque utilisation veuillez à vous assurer du bon état général de votre vélo.

Le bon état des pièces d'usures comme par exemples, les freins, les pneumatiques, la direction, la transmission, les jantes doivent être vérifiées par l'utilisateur avant toute utilisation et régulièrement contrôlées, entretenues et réglé par un mécanicien qualifié.

Assurez-vous d'entretenir correctement votre vélo selon les instructions du manuel de l'utilisateur.

La plage de température idéale pour l'utilisation des vélos électriques se situe entre 5 et 25°C. L'utilisation de votre vélo électrique dans des températures basses, moins de 5°, n'endommage pas votre batterie mais peut réduire les performances.

L'appareil émet une pression acoustique moyenne inférieure à 70dB au niveau des oreilles de l'utilisateur.

**ATTENTION** : Comme tout composant mécanique, une bicyclette subit des contraintes élevées et s'use. Les différents matériaux et composants peuvent réagir différemment à l'usure ou à la fatigue. Si la durée de vie prévue pour un composant a été dépassée, celui-ci peut se rompre d'un seul coup, risquant alors d'entraîner des blessures pour le cycliste. Les fissures, égratignures et décoloration dans des zones soumises à des contraintes élevées, indiquent que le composant a dépassé sa durée de vie et doit être remplacé.

Vérifier que la batterie soit bien en place et verrouillée avec la clé positionnée sur « LOCK ».

Allumer la batterie en appuyant sur le bouton ON/OFF situé sur celle-ci.

Allumer l'appareil en appuyant sur le bouton ON/OFF de l'écran de contrôle.

Commencer à pédaler comme un vélo classique.

## CODES D'ERREUR DE L'ÉCRAN

N°	Signification
21	Tension anormale
22	Anomalie de l'accélérateur
23	Problème de phase moteur
24	Erreur de capteur moteur
25	Problème d'interrupteur de frein
30	Communication perturbée

### 3.7. COMMENT ENLEVER ET REMETTRE LA BATTERIE

Tourner la clé vers la droite puis utiliser la poignée pour déverrouiller la batterie et la retirer. Pour la remettre, faire l'opération inverse.

### 3.8. ASSISTANCE, STATIONNEMENT ET AUTONOMIE

#### L'assistance au pédalage:

Le vélo est doté d'une assistance électrique au pédalage. Le moteur, situé dans le moyeu de la roue arrière, se met en route une fois que l'utilisateur commence à pédaler et complète ainsi ses efforts. Le fonctionnement de l'assistance électrique dépend de la vitesse de rotation des pédales et de la vitesse du vélo. Comme stipulé par la législation européenne en vigueur, le moteur de 250W s'arrête à partir de 25 km/h et se coupe dès que l'utilisateur arrête de pédaler.

Pour augmenter ou diminuer la puissance du moteur et donc de l'assistance électrique il faut appuyer sur les boutons du panneau de contrôle.

#### Stationnement:

- Couper l'alimentation en appuyant sur le bouton ON/OFF de l'écran de contrôle et éteindre la batterie en appuyant sur le bouton I/O situé sur le côté droit de la batterie.

- Verrouiller la batterie avec la clé ou la retirer et l'emporter quand l'appareil n'est pas utilisé.

- Il est conseillé d'attacher l'appareil lorsqu'il n'est pas utilisé pour éviter le vol.

- Il ne faut jamais garer l'appareil à l'extérieur lorsqu'il pleut ou qu'il neige. Privilégier les lieux de garage sans humidité et bien ventilés. A l'issue d'un trajet sous la pluie ou la neige, mettre l'appareil à l'abri et essuyer toute trace d'humidité à l'aide d'une



serviette propre et sèche.

### **Kilométrage/Autonomie :**

De nombreux facteurs influent sur le taux d'utilisation de l'énergie électrique et l'autonomie comme indiqué partie 4.

Afin de maximiser l'autonomie de votre appareil, il est important de prendre note des points suivants :

- Charger complètement la batterie avant un long trajet.
- L'autonomie annoncée est mesurée dans des conditions optimales d'utilisation. Le poids de l'utilisateur, la vitesse de roulage, les routes accidentées et les terrains vallonnés dans le parcours, la pression des pneus, le vent de face, les changements fréquents de vitesse et de freinages (en ville) et la température extérieure sont autant de facteurs dont dépend l'autonomie de l'appareil.
- Rouler avec des pneus correctement gonflés et un appareil propre et bien lubrifié permet d'économiser de l'énergie.
- Vérifier régulièrement le réglage des freins et s'assurer que les deux roues se déplacent librement (que les freins ne frottent pas la roue en circulation).
- La capacité de la batterie diminue à mesure qu'elle vieillit.

### **3.9. LIMITES DE VITESSE**

Le produit est conçu pour rouler à une vitesse maximale de 25 km/h.

Veillez cependant à respecter les restrictions d'utilisation de votre produit conformément aux règles de sécurité routière applicables dans le pays.

### **3.10. POIDS DU CONDUCTEUR**

Le poids du conducteur ne doit pas être supérieur à 120 kg.

A noter: le non-respect de cette limite de poids accroît le risque de chute ou d'endommagement du produit.

## **4. ENTRETIEN ET NETTOYAGE**

### **4.1. BATTERIE**

Une batterie au lithium perd de sa capacité au fil des cycles de charge et décharge tout au long de sa durée de vie. La notion de cycle de vie existe sur les batteries lithium (env. 300 sur une trottinette par exemple). c'est à dire qu'à partir de 300 cycles COMPLETS de charges et décharges, la batterie commencera à perdre de sa capacité (exemple du smartphone).

Cette perte de capacité partielle n'empêche pas la batterie de fonctionner mais altère ses performances et notamment son autonomie.

Il est impératif d'utiliser l'appareil et surtout de recharger au moins une fois par mois sa batterie : en effet, une batterie au lithium se décharge seule même lorsque le produit est éteint. C'est pourquoi une batterie sans recharge pendant plusieurs

semaines ou moins pourrait perdre de sa capacité et être dans l'impossibilité de se recharger.

De plus, il est possible de recharger une batterie au lithium après chaque utilisation car il n'y a pas d'effet mémoire.

**ATTENTION :** la charge de la batterie doit s'effectuer exclusivement en intérieur ou dans un local à l'abri des intempéries (pluie, neige, chaleur excessive...)

### **Afin de préserver au mieux la batterie de votre appareil, quelques rappels et conseils d'usage :**

- Ne débranchez pas le chargeur avant que la batterie soit complètement chargée.
- Stocker le produit contenant la batterie dans un endroit frais (température > 0°) la plus proche possible des 15°C. Attention, la chaleur excessive détériore également la batterie.
- Éviter les décharges profondes.
- Éviter les recharges à chaud. Laisser reposer l'appareil 15 minutes à 1 heure après utilisation avant de la recharger.
- Éviter les surcharges. Ne pas laisser le chargeur branché plus de 24 heures car il chauffe inutilement.

**Remarque :** Nous vous recommandons de recharger la batterie, en cas de non-utilisation, après chaque utilisation et au minimum une fois par mois.

**Important :** Lorsqu'il ne reste qu'un quart de batterie, si votre trajet pour rejoindre le lieu de recharge n'est pas proche, nous vous conseillons de passer en éco-mode.

**Conseil :** Lorsque vous roulez l'indicateur de niveau de batterie sur l'écran peut diminuer instantanément selon votre mode de conduite (grande sollicitation de l'accélérateur, trajet sur en côte, température extérieure inférieure à 10°C...). Sachez que le niveau réel de la batterie s'affichera de façon plus juste quand l'appareil est à l'arrêt.

## **4.2. INSPECTION ET MAINTENANCE DE VOTRE APPAREIL**

Votre produit demande une inspection et de la maintenance de routine. Ce chapitre décrit les étapes d'entretien et de fonctionnement. Avant d'effectuer les opérations suivantes assurez-vous que l'alimentation est coupée et le câble de charge est débranché. Avant chaque utilisation de l'appareil il convient de vérifier attentivement :

- Le serrage des poignées.
- Le bon fonctionnement des roues en soulevant l'appareil et en les faisant tourner à vide.
- La colonne, le tube de direction, rien ne doit l'empêcher de tourner. Tout le système de direction soit être correctement réglé et tous les éléments de raccordement et vis bien serrés et en bon état.
- Le serrage des vis de la roue avant, de la roue arrière, des amortisseurs, du capot et resserrer si nécessaire. Les vibrations occasionnées par la conduite de l'appareil sont à l'origine de ces besoins d'ajustements.

- L'usure des pneus. La pression des pneus si l'appareil est équipé de roues gonflables et gonfler dès que nécessaire à l'aide d'une pompe à vélo ou équivalent.
- Les freins, les garnitures de tambours, les plaquettes de frein, frein à pied en fonction de l'équipement de l'appareil. Si l'appareil est équipé de freins mécaniques (disque, tambour, pied...), veuillez vous assurer qu'ils ne sont pas en frottement par une tension de câbles ou autre problème car cela entraînerait un ralentissement empêchant l'appareil de rouler normalement. De plus un échauffement des freins peut altérer leur efficacité.
- Le bon fonctionnement du frein électronique si l'appareil en est équipé. Si après les différents resserrages, vous constatez qu'il y a un jeu pouvant altérer une conduite en sécurité, si un bruit inhabituel apparaît, ou un défaut de fluidité est visible, arrêtez d'utiliser l'appareil et contactez votre revendeur pour plus d'information ou pour une intervention.

Si le produit, un composant ou la batterie sont usés, veuillez vous rapprocher d'un centre agréé pour la réparation ou le recyclage de votre produit.

### **ENTRETIEN ET PIÈCES DE RECHANGE :**

Votre vélo nécessite un entretien régulier pour votre sécurité mais aussi pour augmenter sa durée de vie. Il est important de contrôler les éléments mécaniques périodiquement afin d'assurer le cas échéant un remplacement des pièces usées ou présentant des traces d'usures.

La batterie doit être retirée avant chaque intervention de maintenance.

**ATTENTION :** Lors d'un remplacement de composants il est important d'utiliser des pièces d'origine afin de conserver les performances et la fiabilité de la bicyclette. Ne sont considérées comme pièces d'origine, que les pièces du fabricant.

**ATTENTION :** Il revient de la responsabilité de l'utilisateur en cas d'achat et d'utilisation de faux (contrefaçon) qui par la suite entraînerait des dommages au produit, à la personne ou à son environnement.

Veiller à utiliser des pièces de rechange appropriées concernant les pneus, les chambres à air, les éléments de transmission et les différents éléments du système de freinage. En cas de besoin ou de question, se rapprocher du service SAV ou votre revendeur.

Le fabricant ne pourra pas être tenu comme responsable en cas d'utilisation inappropriée ou d'un mauvais montage.

**AVERTISSEMENT 1 :** Comme tous les composants mécaniques, l'EPAC est soumis à l'usure et à des contraintes élevées. Les différents matériaux et composants peuvent réagir à l'usure ou à la fatigue sous contrainte de différentes manières. Si la durée de vie nominale d'un composant a été dépassée, il peut se rompre soudainement, ce qui peut entraîner des blessures pour le conducteur. Toute forme de fissure, de rayure ou de changement de couleur dans les zones soumises à de fortes contraintes indique que la durée de vie du composant a été atteinte et qu'il doit être remplacé.

**AVERTISSEMENT 2 :** Pour les composants composites, les dommages causés par un impact peuvent être invisibles pour l'utilisateur, le fabricant doit expliquer les conséquences des dommages causés par un impact et qu'en cas d'impact, les composants composites doivent être soit renvoyés au fabricant pour inspection, soit détruits et remplacés.

## LUBRIFICATION

La lubrification est essentielle sur les différents composants qui sont en mouvement afin d'éviter la corrosion. Huilez régulièrement la chaîne, brossez les pignons et plateaux, introduisez périodiquement quelques gouttes d'huile dans les gaines de câbles de frein et de dérailleur.

Il est conseillé de commencer par nettoyer et sécher les éléments à lubrifier. Il est conseillé d'utiliser de l'huile spécifique pour la chaîne et le dérailleur. Il faut utiliser de la graisse pour les autres composants.

## PNEUMATIQUES

Il est fortement recommandé de vérifier périodiquement la pression des pneus. Rouler avec des pneumatiques insuffisamment gonflés ou sur gonflés peut nuire au rendement, provoquer une usure prématurée, entraîner des détériorations au niveau de la jante, diminuer l'autonomie ou augmenter les risques d'accident. Si une usure importante ou une entaille est visible sur un des pneus, remplacez-le avant d'utiliser le vélo.

**IMPORTANT :** Une plage de pression est indiquée sur le flan du pneumatique par le constructeur. La pression doit être adaptée en fonction du poids de l'utilisateur.

## FREINS

Avant chaque utilisation, vérifiez que les freins avant et arrière sont en parfait état de marche. Contrôler régulièrement le freinage pour prévenir des accidents dus à un dysfonctionnement des freins.

Le levier de frein ne doit pas venir en contact avec le guidon et les gaines ne doivent pas subir de trajectoires à angle fermé afin que les câbles coulissent avec le minimum de frottement. Les câbles endommagés, effilochés, rouillés doivent être immédiatement changés.

**AVERTISSEMENT :** En cas de pluie ou de temps humide, les distances de freinage sont allongées

## JANTES

Vérifier l'état de la jante et la nettoyer en cas de salissures pour éviter de la détériorer prématurément. Ne pas rouler avec une jante en mauvais état ou fissurée qui pourrait occasionner un accident.

## CÂBLES

Veiller à ce que les ports des câbles ne soient pas desserrés ou cassés.

## VIS

Contrôler les vis dans les pièces principales, et veillez à les resserrer régulièrement. Les vibrations de l'appareil lors de la conduite occasionnent des vibrations qui desserrent les vis.

## BATTERIE

Pour votre sécurité et pour optimiser le fonctionnement de la batterie, veillez à ce qu'elle soit toujours stockée à l'abri de l'humidité, dans un espace sec et aéré. Elle ne doit pas recevoir de coups ou présenter un câblage défectueux.

**ATTENTION :** N'utiliser que la batterie fournie. Ne pas utiliser, ni charger de batteries non-rechargeables.

## CHARGEUR

Veiller à ce que le cordon du chargeur ne soit pas abimé ou que les fils soient apparents pour éviter les courts-circuits. Les prises d'entrée et de sortie ne doivent pas être endommagées ni déformées.

**ATTENTION :** Veiller à n'utiliser que le chargeur fourni avec le produit.

## PORTE BAGAGE

Si votre vélo est vendu avec un porte bagage. Il est déjà fixé au-dessus de votre roue arrière. Les éléments de fixation doivent être serrés et vérifiés fréquemment.

Votre porte bagage est conçu pour une charge maximale à ne pas dépasser de 25kg. Il est possible de fixer un siège pour enfant.

Dans le cas d'une utilisation d'une selle à ressort ces derniers doivent être protégés pour éviter les coincements de doigts. Votre porte-bagages n'est pas conçu pour tirer une remorque.

Par mesure de sécurité, les bagages doivent être transportés uniquement sur le porte bagage. Lorsque le porte-bagages est chargé, le comportement de votre bicyclette peut être modifié. Les bagages ne doivent pas occulter les réflecteurs et éclairages de votre vélo.

Répartissez la charge de bagages de façon égale pour favoriser la stabilité de votre vélo. Tout bagage doit être solidement arrimé au porte-bagages, avant chaque utilisation il est important de vérifier que rien ne risque de venir se prendre dans la roue arrière de la bicyclette.

Ne pas régler le porte-bagages de manière arbitraire, merci de demander conseil auprès de votre revendeur pour faire un ajustement si nécessaire. Ne pas modifier le porte-bagages, toute modification du porte-bagages par l'utilisateur entraîne la nullité de ces instructions.

## **Avertissements sur les risques liés à un montage ou à des réglages incorrects des différents composants du vélo:**

Le non-respect de ces instructions vous expose à des risques d'une mauvaise

utilisation de votre vélo, d'une usure prématurée de certains composants pouvant entraîner une chute et / ou un accident.

### 4.3. NETTOYAGE DE VOTRE APPAREIL

Veillez suivre ces quelques consignes et précautions pour le nettoyage de l'appareil :

- Débrancher tous les câbles de chargement de l'appareil avant de le nettoyer.
- Ne jamais l'immerger dans l'eau.
- Ne jamais utiliser de nettoyeur haute pression, jet d'eau ou tout autre appareil et méthode de lavage qui permettrait à l'eau de s'infiltrer à l'intérieur de l'appareil.
- Nettoyer l'appareil avec une éponge légèrement humide ou un chiffon doux en évitant les connecteurs et les boutons et en veillant à ne pas faire pénétrer de l'eau sur les prises, circuits ou à l'intérieur du produit.
- Ne pas mettre de l'eau ni des nettoyants liquides directement sur le produit pour le nettoyer.
- Ne pas utiliser de produits abrasifs ni de solvants qui pourraient endommager la peinture de votre appareil.
- Soyez prudent(e) lorsque vous nettoyez et essuyez les parties en plastique.
- N'utiliser pas d'abrasifs ou de solvants pour nettoyer les parties en métal ou plastique.

### 4.4. ENTREPOSER VOTRE APPAREIL

- Recharger complètement votre produit avant de le ranger.
- Ranger votre produit à l'intérieur dans un endroit propre et sec avec une température ambiante comprise entre 0° et 40°C.

## 5. FAQ & GARANTIE

### 5.1. FAQ

#### **Votre appareil ne s'allume pas**

Vérifier que le bouton ON/OFF n'est pas endommagé, et rechargez votre appareil avant de faire une nouvelle tentative.

#### **Votre appareil ne se recharge pas**

Vérifier que la connectique du produit et du chargeur d'origine ne soient pas endommagées.

Afin d'identifier si c'est le chargeur ou l'appareil qui est en défaut, vérifiez que le voyant de charge sur le chargeur est allumé correctement. Lorsque le chargeur est branché au secteur et au produit, le voyant peut être :

- **ROUGE** non clignotant (signifie que l'appareil charge)
- **VERT** : signifie que l'appareil est chargé.
- **ROUGE – VERT** : clignotant de façon alternative. Cela peut arriver quand la batterie

est très faible. Attendre 15 minutes en restant à proximité. Si le voyant passe au rouge, c'est que la charge normale a débuté.

Si le voyant reste clignotant c'est qu'il y a un problème de chargeur ou sur le produit (batterie, connecteur...).

Si le problème persiste, veuillez vous rapprocher d'un centre agréé pour la réparation.

### **Si l'appareil fonctionne de manière saccadée :**

Si vous sollicitez le moteur fortement alors que la batterie n'est pas complètement chargée, cela peut arriver. Il faut soit alors doser plus faiblement l'accélérateur et surtout vérifier que la batterie est bien chargée.

## **5.2. GARANTIE**

Pour toutes informations sur les conditions de garantie et limites de responsabilité veuillez vous référer au manuel de garantie fourni, ou consultez la en ligne à l'aide du QR code figurant en dernière page ou en ligne sur **[download.yeep.me](https://download.yeep.me)**









Gracias por su compra.  
Bienvenido a yeep.me

SP

## Índice

<b>1. INSTRUCCIONES DE SEGURIDAD</b>	<b>52</b>
<b>2. CONTENIDO Y ESPECIFICACIONES TÉCNICAS</b>	<b>56</b>
<b>3. USO</b>	<b>57</b>
<b>4. LIMPIEZA Y MANTENIMIENTO</b>	<b>65</b>
<b>5. PREGUNTAS FRECUENTES Y GARANTÍA</b>	<b>71</b>

*Antes de utilizar este producto, lea atentamente las instrucciones de uso. Éstas le permitirán comprender, utilizar y mantener correctamente este producto, y conocer sus prestaciones y características.*

*Conserve este manual para futuras consultas. Si vende o regala este producto a otra persona, asegúrese de incluir este manual junto con él.*

## SP 1. INSTRUCCIONES DE SEGURIDAD

**1.** Este dispositivo está diseñado para transportar a una persona, y está destinado a ser utilizado por adolescentes y adultos.

Los niños menores de 12 años no deben utilizar el aparato, realizar la limpieza, el mantenimiento, ni ninguna otra reparación.

Este aparato puede ser utilizado por niños a partir de los 12 años y personas con alguna discapacidad física, sensorial o mental, o sin experiencia ni conocimientos, siempre que estén vigilados debidamente, hayan recibido las instrucciones adecuadas y sean conscientes de los peligros inherentes. Los niños no deben jugar con el aparato. La limpieza y el mantenimiento no deben estar a cargo de niños sin la debida supervisión. La responsabilidad recae en los padres y nunca se debe permitir a los niños sin supervisión el uso del dispositivo. El producto se debe guardar fuera del alcance de los niños.

El cargador puede ser utilizado por niños de 8 años o más y por personas con capacidades físicas, sensoriales o mentales reducidas o sin experiencia o conocimientos, si están debidamente supervisados o si se les ha dado instrucciones sobre cómo utilizar el aparato de forma segura y si se han comprendido los riesgos que conlleva. Asegúrese de que sólo se utiliza el cargador suministrado con el producto.

No utilice el aparato para transportar otras personas o bienes. Superar la carga máxima puede provocar lesiones y daños en el aparato. El peso del usuario no es una indicación de que su tamaño sea adecuado para mantener el control del dispositivo.

**2.** El dispositivo está destinado a los viajes individuales. Este no es un dispositivo diseñado para la competición o los deportes extremos, por lo que nunca debe utilizarse en pistas de skate. No lo utilice para subir ni bajar escaleras. Tampoco lo debe usar para realizar saltos, superar obstáculos, hacer piruetas ni trucos peligrosos. Este aparato no es un juguete ni un accesorio de gimnasia.

Este dispositivo no está diseñado para fines profesionales o comerciales, como el alquiler, las flotas de vehículos o los viajes profesionales.

**3.** Este aparato debe utilizarse con precaución en superficies planas, limpias, secas y libres de grava y aceite, ya que requiere la fricción entre las ruedas y el suelo para avanzar. Evite obstáculos como agujeros, salientes y las rejillas de las alcantarillas que puedan provocar accidentes. Reduzca la velocidad en los badenes.

Aléjate de los demás usuarios de la carretera y respeta las normas de tráfico. No estás a salvo de los riesgos que supone el comportamiento de los demás. Anticipa los obstáculos y el tráfico conduciendo a una velocidad adecuada. La distancia de frenado está correlacionada con la velocidad, por lo que debes anticiparte

a las distancias de frenado en caso de lluvia y/o en carreteras mojadas. Evite las maniobras bruscas y los frenazos repentinos; el aparato puede derrapar, perder el equilibrio o caer, incluso en una superficie lisa y plana. Debe permanecer siempre atento y alejarse de los peatones y otros usuarios de las vías públicas, que pueden cruzar sin haberle visto. **ADVERTENCIA** No utilice nunca el producto fuera de las zonas permitidas por la normativa.

**4.** ¡Atención! Este aparato está diseñado para su uso en exteriores. Usted es responsable de conocer y respetar la normativa vigente para su uso en vías públicas o privadas.

**5.** Aprenda a utilizar el dispositivo en un lugar abierto y llano, sin muchos otros usuarios de la carretera a su alrededor, y asegúrese de llevar un casco.

Lleve siempre zapatos y pantalones resistentes cuando utilice este dispositivo. No utilice este dispositivo si está descalzo o lleva sandalias abiertas. Evite llevar ropa excesivamente suelta o con cordones o corbatas colgantes, pañuelos, etc., que puedan quedar atrapados en la rueda. Esto podría provocar asfixia, caídas y/o una colisión.

**6.** No conduzca bajo la lluvia, la nieve, los charcos, el barro u otras zonas húmedas con una profundidad de agua superior a 2 cm que permita que el agua se filtre en el dispositivo. Para limpiar su dispositivo, siga los consejos del apartado 4.3.

No utilice este dispositivo si la visibilidad es escasa. Si circula de noche o con tiempo oscuro, le recomendamos que lleve ropa o equipos reflectantes, como una chaqueta o un brazalete de alta visibilidad. Además de esta recomendación, debe consultar los requisitos de equipamiento aplicables en el lugar y país de uso.

**7.** No utilice este aparato si está bajo los efectos del alcohol o las drogas. Por su seguridad, dicho uso está estrictamente prohibido.

**8.** No deje el producto al alcance de ninguna persona que pueda arrancarlo sin el permiso del usuario principal o sin contar previamente con la información ni los conocimientos concernientes a las medidas e instrucciones de seguridad y uso.

Si prestas el dispositivo a alguien, asegúrate de que sepa cómo utilizarlo y explícale todas las instrucciones de seguridad. Recuérdale que debe respetar las normas de tráfico y llevar el equipo de seguridad adecuado.

**9.** Un aparato para la movilidad está sometido a restricciones físicas por su desgaste, su diseño y su modo de uso. Por ello es esencial inspeccionar el aparato antes de cada uso y comprobar el correcto funcionamiento de todos los dispositivos de seguridad (frenos, iluminación). Las inspecciones y el mantenimiento que se

deben realizar en el aparato se detallan en la sección 4.2.

Si observa alguna pieza suelta, avisos de batería baja, neumáticos desinflados, desgaste excesivo, ruidos extraños, fallos de funcionamiento o cualquier otra anomalía, detenga el aparato inmediatamente y busque ayuda profesional.

**10. NO UTILICE EL DISPOSITIVO NI CARGUE LA BATERÍA EN LAS SIGUIENTES CIRCUNSTANCIAS:**











- El producto está dañado.
- La batería desprende un olor anómalo y se sobrecalienta.
- Los mandos de los frenos y otros dispositivos de frenado o seguridad (iluminación) están dañados.

Deje de usarlo y no toque ningún líquido que pueda salir del aparato en caso de fuga. No exponga nunca la batería del aparato a un calor excesivo.

**11.** El usuario no debe reemplazar la batería. Consulte con el servicio posventa de su distribuidor o con el fabricante antes de realizar cualquier modificación o mantenimiento del aparato.

**12.** Tanto la batería como las pilas se deben eliminar debidamente. En caso de que no pueda devolvérselas al distribuidor, llévelas a los contenedores previstos a tal efecto con vistas a proteger el medioambiente (consulte con el fabricante para obtener más información).

**13.** La apertura del aparato puede dar lugar a modificaciones de seguridad de las que el fabricante no se hace responsable. Además, tenga en cuenta que la apertura del dispositivo anula la garantía. Si, a pesar de todo, desea reparar el aparato, el fabricante declina toda responsabilidad por la reparación y por los daños resultantes de la misma. Cualquier accidente que se pueda producir como consecuencia de dichas reparaciones no será en absoluto responsabilidad del fabricante. En caso de duda o si necesita ayuda, consulte con su distribuidor autorizado o con el Servicio de Atención al Cliente del fabricante.

Pictograma	Significado
	Lea siempre las instrucciones con atención.
	Peso del producto solo.
	Peso máximo para el usuario del producto.
	Potencia del motor del aparato (en kW)
	Velocidad máxima del aparato (en km/h)
	El signo de exclamación dentro de un triángulo equilátero pretende alertar al usuario de la presencia de importantes instrucciones de funcionamiento y mantenimiento (revisión) en el manual de usuario.
	Esta unidad no debe entrar en contacto con el agua. No almacene la unidad en un lugar húmedo.
	El símbolo del rayo con punta de flecha dentro de un triángulo equilátero pretende alertar al usuario de la presencia de «tensión peligrosa» dentro de la caja del producto que puede ser de magnitud suficiente para constituir un riesgo de descarga eléctrica.
	Este símbolo indica que este equipo tiene un doble aislamiento eléctrico entre la tensión (peligrosa) de la fuente de alimentación y las partes accesibles para el usuario.
	Precaución. Es necesario llevar un equipo de protección que incluya muñequeras, guantes, rodilleras, casco y coderas.
	Los aparatos eléctricos y electrónicos deben clasificarse y eliminarse por separado. No elimine los aparatos eléctricos y electrónicos con los residuos domésticos normales sin clasificar, sino llévelos a un centro de clasificación selectiva.
	Esta marca se utiliza en la placa de características para indicar que el equipo funciona sólo con corriente continua o para identificar los terminales correspondientes.
	Este marcado se utiliza para identificar el dispositivo electrónico que comprende el transformador y el circuito electrónico, que convierte la energía eléctrica en uno o varios conectores de salida.

## 2. CONTENIDO Y ESPECIFICACIONES TÉCNICAS

### Este paquete contiene:

- Bicicleta eléctrica yeep.me CARGO
- Herramientas
- Un cargador conectable a la red eléctrica
- Llave de bloqueo de la batería
- Manual de usuario
- Manual de garantía
- Declaración CE de conformidad
- **CONSERVE** el certificado de garantía (contiene el número de serie del dispositivo y su fecha de fabricación, datos esenciales para la garantía del dispositivo)

### Especificaciones técnicas:

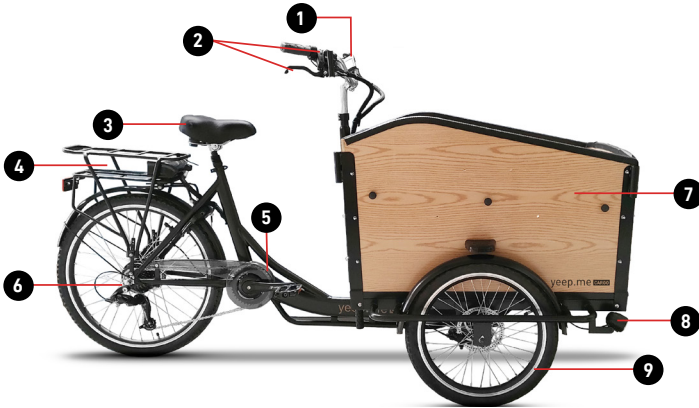
<b>Batería :</b>	Ion de litio 13Ah 36V
<b>Tiempo de carga:</b>	6-8h
<b>Autonomía:</b>	70 km como máximo con asistencia*
<b>Velocidad :</b>	25 km/h*
<b>Motor :</b>	500W Nominal 48V
<b>Cargador :</b>	Entrada : 100-240V 2A 50-60 Hz Salida : 54.6V $\overline{=}$ 2A 109.2 W
<b>Peso máximo soportado :</b>	120 kg
<b>Device weight :</b>	28.5 kg
<b>Peso del dispositivo :</b>	212x28x146cm
<b>Modelo de referencia :</b>	BIGFOOT
<b>Referencia del cargador :</b>	DPLC110V55

\* La autonomía y la velocidad se ofrecen con fines ilustrativos. Varían según el peso del usuario y las condiciones de uso (pendiente, temperatura exterior, humedad del aire, velocidad y el esfuerzo al que se somete el motor). Las especificaciones están sujetas a cambios. Estas indicaciones de velocidad y autonomía no constituyen ningún compromiso contractual por parte del distribuidor ni de la empresa CIBOX INTERACTIVE.



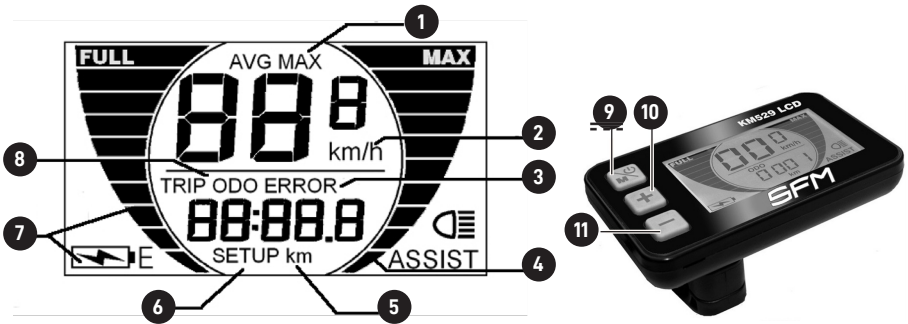
### 3. USO

#### 3.1. PRESENTACIÓN DEL APARATO



(1). Pantalla (2). Freno de disco hidráulico delantero y trasero (3). Sillín (4). Luz de freno (5). Desviador, freno de disco trasero (6). Motor (7). Batería extraíble (8). Luz delantera (9). Horquilla delantera hidráulica (10). Freno de disco hidráulico delantero

#### PEDIDOS :



(1). Velocidad media / Velocidad máxima (km/h) (2). Velocidad (km/h) (3). Código de error (4). Nivel de asistencia (5). Distancia recorrida (6). Configuración (7). Nivel de carga de la batería (8). Distancia recorrida (TRIP) / Distancia total (ODO) (9). Botón MODE/ encendido/apagado (10). Botón + (11). - Botón

#### Modo de empleo :

- Pulse el botón MODE (9) durante 2 segundos para encender o apagar la pantalla.
- Pulse los botones MODE (9) y + (10) durante 2 segundos para alternar entre las visualizaciones VELOCIDAD / VELOCIDAD MEDIA / VELOCIDAD MÁX.
- Pulse MODE (9) para alternar entre las pantallas TRIP y ODO.
- Para poner a cero la distancia recorrida (TRIP), pulse simultáneamente los botones MODE

(9) y - (11) durante 2 segundos.

- Para encender o apagar los faros, pulse el botón + (10) durante 2 ó 3 segundos. Un indicador aparecerá en la parte inferior derecha de la pantalla para mostrar si los faros están encendidos o apagados.
- Cuando la batería esté agotada, una E parpadeará junto al símbolo de la batería (7). En ese caso, deberá cargar inmediatamente el dispositivo.
- Para pasar de un modo de asistencia a otro, pulse los botones + (10) y - (11) después de encender la pantalla. Puede elegir entre los 5 niveles de asistencia disponibles.

### **Modos de asistencia:**

El dispositivo dispone de 5 modos de velocidad. El sistema de asistencia eléctrica se activa de 1 a 1,5 vueltas de los pedales.

0: sin asistencia, es el modo seleccionado al encender la pantalla.

1: La asistencia eléctrica se detendrá cuando la velocidad alcance los 10 km/h.

2: La asistencia eléctrica se detiene cuando la velocidad alcanza los 14 km/h.

3: La asistencia eléctrica se detendrá cuando la velocidad alcance los 18km/h.

4: la asistencia eléctrica se detendrá cuando la velocidad alcance los 22km/h.

5: la asistencia eléctrica se detendrá cuando la velocidad alcance los 25km/h.

### **Velocidades :**

El aparato está equipado con 7 velocidades.

Se debe cambiar a un número menor en cuanto el esfuerzo sea importante. A la inversa, para evitar la sensación de pedalear «en vacío», se debe seleccionar un número más alto.

Utilice la palanca de cambios del manillar para cambiar de velocidad.

### **Iluminación :**

El sistema de iluminación es un elemento de seguridad de su bicicleta, debe ser obligatorio en su bicicleta. Compruebe que el sistema de iluminación funciona y que las baterías están cargadas antes de circular.

### **Timbre :**

Un timbre se instala en su manillar. El timbre es un dispositivo de seguridad de su bicicleta, debe estar obligatoriamente presente en su manillar.

### **Frenos :**

La maneta derecha activa el freno trasero.

La maneta izquierda activa el freno delantero.

## **3.2. DESEMBALAJE Y MONTAJE DEL APARATO**

Para desembalar el aparato, es aconsejable hacerlo sobre una superficie

despejada lo suficientemente grande como para poder prepararlo. Saque el aparato de la caja con cuidado de no hacerse daño, de no dañar otros productos o de no provocar daños en el lugar donde se encuentra. Pida a otra persona que le ayude si el aparato es demasiado pesado para usted (el peso está indicado en el embalaje).

El desembalaje y el montaje deben ser realizados por un adulto.

### Montaje de los pedales :

Utilice las marcas R (derecha) y L (izquierda) para identificarlos.

1. Monte el pedal derecho en el brazo de la biela derecha. Apriete el pedal en el sentido de las agujas del reloj con la llave suministrada.
2. A continuación, enrosque el pedal izquierdo en el brazo de la biela izquierda en sentido contrario a las agujas del reloj.

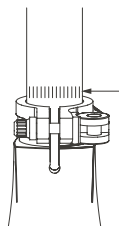
### Montaje del manillar :

1. Primero oriente el manillar en la dirección correcta.
2. Apriete el tornillo de fijación de la potencia con la llave suministrada.
3. Compruebe que el manillar está correctamente orientado.

### Montaje y ajuste del sillín:

Afloje la tuerca de la abrazadera de la tija de sillín para poder modificar la altura de la tija en el cuadro.

Seleccione una altura y apriete la tuerca de la abrazadera de la tija de sillín. Al ajustar el sillín en su posición más baja, asegúrese de que el sillín no toque ningún componente de la bicicleta, como la tapa de la batería. Asimismo, asegúrese de no sobrepasar la marca de inserción mínima del tubo de sillín. Esta marca de inserción nunca debe ser visible cuando se utiliza la bicicleta



**IMPORTANTE :** Para determinar la altura de su sillín, siéntese en la bicicleta y coloque un talón en el pedal en posición baja con la manivela paralela a la tija del sillín. Cuando su pierna está extendida, la altura del sillín es la correcta.

**SP** **Altura del sillín recomendada y tamaño del usuario:**

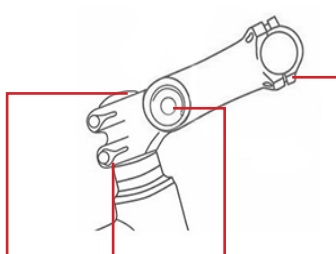
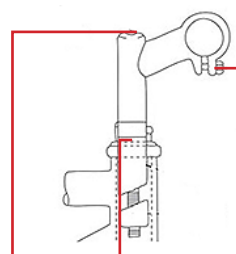
Dimensiones de la rueda	Altura máxima del sillín	Altura mínima del sillín	Talla de usuario recomendada*
<b>20"</b>	<b>96 cm</b>	<b>84 cm</b>	<b>165 - 185 cm</b>

\* Tamaño para un uso «óptimo» del dispositivo.

**Apriete recomendado para los componentes del manillar, la potencia, el sillín, la tija de sillín y las ruedas :**

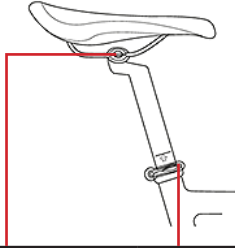
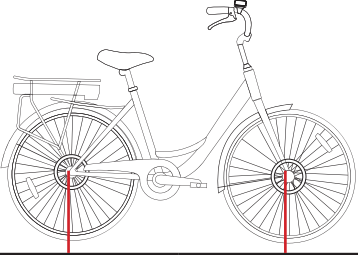
Para garantizar la correcta fijación del manillar, la potencia, el sillín, la tija de sillín y las ruedas, se recomienda utilizar llaves de apriete adecuadas y aplicar una fuerza de apriete conforme a los pares de apriete específicos para cada uno de los componentes de los siguientes modelos de bicicleta (en Nm):

**Potencia y manillar :**

	MODELO con vástago AHEADSET				MODELO con vástagos de émbolo		
							
Modelo	Vástago en la cabeza del marco de tornillo vertical	Vástago en la cabeza del cuadro (horquilla)	Vástago de ajuste de altura	Manillar en la potencia	Vástago en la cabeza del marco de tornillo vertical	Tuerca de la potencia en la cabeza del cuadro (horquilla)	Manillar en la potencia
yeep.me CARGO	5.9	5.9	15	3.2	/	/	/

**Precaución:** El uso de una extensión aerodinámica o de otro tipo colocada en el manillar puede influir negativamente en el tiempo de respuesta del piloto durante el frenado y las curvas.

**Sillín y ruedas :**

	SILLÍN		RUEDAS	
				
Modelo	Sillín y tija de sillín	Tija de sillín y tubo de sillín (cuadro)	Rueda trasera al chasis	Rueda delantera a horquilla
yeep.me CARGO	22	bloqueo rápido	135	25

**Precaución:** Bajo ciertas condiciones, el controlador, el cargador, los discos mecánicos y algunas partes del producto pueden alcanzar altas temperaturas. Por lo tanto, evite el contacto o protéjase (guantes, protecciones,...) antes de tocar estas partes a los pocos minutos de utilizar el producto. No exponga el producto a temperaturas superiores a 50°C. Más allá de este rango la autonomía se verá afectada. Además, en un entorno cerrado, las altas temperaturas afectarán a los materiales compuestos del producto.

**3.3. INDICADOR DE CARGA Y BATERÍA**

Cargue la batería antes del primer uso. Para ello, asegúrese de cargar el dispositivo con el cargador suministrado.

**Importante:** Toda carga debe realizarse con el cargador original suministrado con el dispositivo. En caso de duda, pérdida o mal funcionamiento, no cargue el dispositivo con ningún otro cargador. Es aconsejable pedir uno nuevo a su distribuidor. Encontrará la dirección de correo electrónico del servicio de atención al cliente en la última página del manual de garantía.

A continuación, compruebe el nivel de carga de la batería antes de cada uso, consultando el indicador del nivel de la batería **(19)**.

Hay dos maneras de recargar la batería:

1. Extraer la batería para recargarla.
2. Recargar la batería directamente desde el paquete de baterías acoplado a la moto.

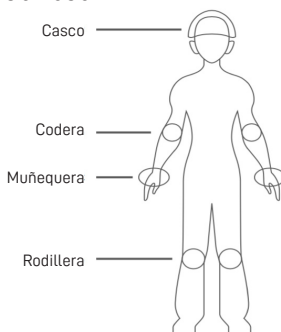
En cualquier caso, es aconsejable realizar las conexiones en el siguiente orden:

1. Conecte primero el enchufe de salida del cargador a la batería y, a continuación, conecte el enchufe de entrada del cargador a la toma de corriente doméstica.
2. Desconecte primero el enchufe de entrada de la toma de corriente doméstica y, a continuación, el enchufe de salida de la batería.

Nota: Se recomienda recargar la batería después de cada uso y al menos una vez al mes. La batería debe recargarse en el interior.

### 3.4. PREPARACIÓN

Para su seguridad, le recomendamos que utilice este aparato en condiciones favorables y con equipo de protección, es decir, casco y protección adecuada para las articulaciones (rodilleras y coderas). Por su seguridad y la de los demás, cuando monte y utilice el dispositivo, debe llevar calzado cerrado, preferiblemente plano, para lograr un buen agarre y estabilidad.



### 3.5. CÓMO UTILIZAR EL APARATO (LEA ANTES DEL PRIMER USO)

#### USO DEL CASCO

Le aconsejamos encarecidamente que se equipe antes de conducir la moto con al menos un casco, que debe cumplir con la normativa sobre equipos de protección individual y debe estar colocado.

**ADVERTENCIA:** El usuario debe cumplir con los requisitos de la normativa nacional cuando utilice la bicicleta en la vía pública, incluyendo el cumplimiento del Código de Circulación.

**ADVERTENCIA:** El usuario está obligado a instalar en la bicicleta dispositivos de iluminación, señalización y advertencia.

- Está prohibido circular por la acera, de lo contrario la bicicleta debe llevarse en la mano.
- No llevar auriculares o cualquier dispositivo que pueda emitir sonido, ni utilizar un teléfono de mano.

El uso de un chaleco retrorreflectante certificado es obligatorio para todos los ciclistas y pasajeros que circulen fuera de la ciudad por la noche o cuando la visibilidad sea escasa. El fabricante declina toda responsabilidad si el conductor de la bicicleta no cumple la normativa vigente.

### 3.6. PRIMER USO

Antes de cada uso, compruebe el estado general de su moto.

El buen estado de las piezas de desgaste, como los frenos, los neumáticos, la dirección, la transmisión, las llantas, etc., debe ser comprobado por el usuario antes de cada uso y revisado, mantenido y ajustado regularmente por un mecánico cualificado.

Asegúrese de realizar un mantenimiento adecuado de su bicicleta de acuerdo con las instrucciones del manual de usuario.

El rango de temperatura ideal para el uso de las bicicletas eléctricas está entre 5 y 25°C. El uso de la bicicleta eléctrica a bajas temperaturas, inferiores a 5°C, no dañará la batería pero puede reducir su rendimiento.

El dispositivo emite una presión sonora media inferior a 70dB en los oídos del usuario.

**ADVERTENCIA:** Como cualquier componente mecánico, una bicicleta está sometida a grandes esfuerzos y a un gran desgaste. Los distintos materiales y componentes pueden reaccionar de forma diferente al desgaste y la fatiga. Si un componente ha superado su esperanza de vida útil, puede romperse de un solo golpe, causando posiblemente lesiones al ciclista. Las grietas, los arañazos y la decoloración en las zonas de alto esfuerzo indican que el componente ha superado su esperanza de vida y debe ser sustituido.

1. Compruebe que la batería está bien colocada y cerrada con la llave en la posición «LOCK».
2. Encienda la unidad pulsando el botón ON/OFF del panel de control.
3. Comience a pedalear como una bicicleta normal.

### CÓDIGOS DE ERROR DE PANTALLA

Nº	Significado
21	Corriente Anormal
22	Acelerador Anormal
23	Problema de fase del motor
24	Defecto Hall del motor
25	Freno Fallado
30	Comunicación anormal

### 3.7. CÓMO EXTRAER Y SUSTITUIR LA BATERÍA

Gire la llave hacia la derecha y, a continuación, utilice el asa para desbloquear

la batería y extraerla. Para sustituir la batería, haga lo contrario.

### 3.8. ASISTENCIA, APARCAMIENTO Y AUTONOMÍA

#### ASISTENCIA AL PEDALEO :

La bicicleta está equipada con una asistencia eléctrica al pedaleo. El motor, situado en el buje de la rueda trasera, se pone en marcha cuando el usuario comienza a pedalear y completa su esfuerzo. El funcionamiento de la asistencia eléctrica depende de la velocidad de los pedales y de la velocidad de la bicicleta. Tal y como estipula la legislación europea vigente, el motor de 250W se detiene a los 25 km/h y se apaga en cuanto el usuario deja de pedalear.

Para aumentar o disminuir la potencia del motor y, por tanto, de la asistencia eléctrica, pulse los botones del panel de control.

#### Estacionamiento :

- Desconecte la alimentación pulsando el botón ON/OFF del panel de control.
- Bloquee la batería con la llave o retírela y llévela consigo cuando la unidad no esté en uso.
- Es aconsejable fijar la unidad cuando no esté en uso para evitar robos.
- No estacione nunca la unidad en el exterior cuando llueva o nieve. Prefiera un garaje seco y bien ventilado. Después de un viaje con lluvia o nieve, lleve la unidad a un lugar protegido y limpie la humedad con una toalla limpia y seca.

#### Kilometraje/Autonomía :

Son muchos los factores que afectan a la tasa de uso de la energía eléctrica y a la autonomía, como se indica en la parte 4.

Para maximizar la autonomía de su unidad, es importante tener en cuenta los siguientes puntos:

- Cargue completamente la batería antes de un viaje largo.
- La autonomía anunciada se mide en condiciones óptimas de uso. El peso del usuario, la velocidad de conducción, las carreteras accidentadas y el terreno accidentado, la presión de los neumáticos, el viento en contra, los cambios frecuentes de velocidad y frenado (en ciudad) y la temperatura exterior son factores que afectan a la autonomía del aparato.
- Conducir con los neumáticos bien inflados y un aparato limpio y bien lubricado ahorra energía.
- Compruebe regularmente los ajustes de los frenos y asegúrese de que ambas ruedas se mueven libremente (que los frenos no rozan la rueda durante la conducción).
- La capacidad de la batería disminuye a medida que envejece.

### 3.9. LÍMITES DE VELOCIDAD

El producto está diseñado para circular a una velocidad máxima de 25 km/h.

No obstante, asegúrese de respetar las restricciones de uso del producto según la



normativa de seguridad vial vigente en el país en el que conduzca el aparato.

### 3.10. PESO DEL CONDUCTOR

El peso del conductor no debe superar los 120 kg.

Observación: no respetar este límite de peso aumenta el riesgo de caída o daños en el producto.

## 4. LIMPIEZA Y MANTENIMIENTO

### 4.1. BATERÍA

Las baterías de iones de litio van perdiendo capacidad a lo largo de su vida útil con los ciclos de carga y descarga. La vida útil de las baterías de litio se mide por ciclos (aprox. 300 para un patinete, por ejemplo). Esto quiere decir que, a partir de los 300 ciclos COMPLETOS de carga y descarga, la batería comenzará a perder su capacidad (como en los teléfonos móviles).

Esta pérdida de capacidad parcial no impide que la batería funcione, pero afecta de forma notable a su rendimiento y autonomía.

Es muy importante utilizar el dispositivo con regularidad y, sobre todo, recargar la batería al menos una vez al mes, ya que las baterías de litio se descargan solas incluso cuando no se utilizan. Por eso, si la batería no se recarga durante varias semanas o meses, podría perder su capacidad y luego resultar incluso imposible recargarla.

Además, las baterías de litio se pueden recargar después de cada uso porque no tienen efecto memoria.

**ATENCIÓN:** La carga de la batería se debe realizar únicamente en interiores o en lugares al abrigo de la intemperie (lluvia, nieve, calor excesivo, etc.).

#### **A continuación, algunos consejos para una mejor conservación de la batería del dispositivo:**

- No desconecte el cargador antes de que la batería se haya cargado completamente.
- Guarde el aparato con la batería en un lugar fresco (temperatura  $> 0^{\circ}\text{C}$ ), idealmente a una temperatura lo más cercana posible a los  $15^{\circ}\text{C}$ . Atención: el calor excesivo también deteriora la batería.
- Evite las descargas completas.
- Evite recargar a altas temperaturas. Deje que el dispositivo descanse entre 15 minutos y 1 hora después del uso antes de recargarlo.
- Evite las sobrecargas. No deje el cargador conectado más de 24 horas para evitar que se caliente innecesariamente.

**Observación:** Le recomendamos que cargue la batería después de cada uso y al menos una vez al mes en caso de no utilización.

**Importante:** cuando quede un cuarto de carga de batería y si se encuentra lejos del punto de carga, le aconsejamos pasar al modo ECO.

**Consejo:** mientras conduce, el indicador del nivel de la batería en la pantalla puede disminuir instantáneamente según el modo de conducción (uso excesivo del acelerador, recorrido en pendiente, temperatura exterior inferior a los 10 °C, etc.). Tenga en cuenta que el nivel real de la batería se mostrará mejor cuando el dispositivo se haya detenido.

## 4.2. INSPECCIÓN Y MANTENIMIENTO DE SU DISPOSITIVO

El producto exige inspecciones y mantenimientos regulares. En este capítulo, se describen los procedimientos de mantenimiento y funcionamiento. Antes de realizar las operaciones siguientes, asegúrese de haber cortado la alimentación y de haber desconectado el cable de carga. Antes de cada uso conviene comprobar atentamente lo siguiente:

- La sujeción de las manillas.
- El correcto funcionamiento de las ruedas, levantando el aparato y dejándolas rodar en el vacío.
- El eje de dirección, nada debe impedir que gire. Todo el sistema de dirección debe estar debidamente ajustado y todos los elementos de unión y los tornillos bien apretados y en buen estado.
- La sujeción de los tornillos de la rueda delantera, la rueda trasera, los amortiguadores y la cubierta; apriételes si fuera necesario. Las vibraciones que se producen al conducir el aparato hacen necesarios estos ajustes. El desgaste de los neumáticos. La presión de los neumáticos si el aparato está equipado de ruedas hinchables; hínchelas cuando sea necesario con una bomba de bicicleta o similar.
- Los frenos, las protecciones de los tambores, las pastillas de freno, el freno de pie en función del equipamiento del aparato. Si el aparato cuenta con frenos mecánicos (disco, tambor, pie...), asegúrese de que no rocen debido a la tensión de los cables o a cualquier otro problema, ya que ello conllevaría una ralentización que impediría al aparato rodar con normalidad. Además, el recalentamiento de los frenos puede alterar su eficacia.
- El correcto funcionamiento del freno electrónico si el aparato cuenta con él.

Si después de apretarlo varias veces nota que presenta alguna holgura que pueda afectar a una conducción segura, o si aparece algún ruido inusual o algún otro defecto se hace visible, deje de utilizar el aparato y póngase en contacto con su distribuidor para obtener más información o para que realice una reparación.

Si el producto, algún componente o la batería están desgastados, llévelos a un centro autorizado para su reparación o reciclaje.

### MANTENIMIENTO Y RECAMBIOS :

Su moto requiere un mantenimiento regular para su seguridad pero también para aumentar su vida útil. Es importante comprobar periódicamente los componentes mecánicos para asegurarse de que las piezas desgastadas o deterioradas se sustituyan si es necesario.

La batería debe retirarse antes de cada operación de mantenimiento.

**ADVERTENCIA:** Al sustituir componentes es importante utilizar piezas originales para mantener el rendimiento y la fiabilidad de la bicicleta. Sólo las piezas del fabricante se consideran piezas originales.

**ADVERTENCIA:** Es responsabilidad del usuario en caso de compra y uso de piezas falsas (falsificadas) que posteriormente causen daños al producto, a la persona o al medio ambiente.

Asegúrese de utilizar los recambios adecuados para los neumáticos, las cámaras de aire, los elementos de la transmisión y los distintos componentes del sistema de frenado. Si tiene alguna duda, póngase en contacto con el servicio técnico o con su concesionario.

El fabricante no se hace responsable del uso inadecuado o de la instalación incorrecta.

**ADVERTENCIA 1:** Como todos los componentes mecánicos, el EPAC está sometido a desgaste y a grandes esfuerzos. Los diferentes materiales y componentes pueden reaccionar al desgaste o a la fatiga por tensión de diferentes maneras. Si se ha superado la vida útil de un componente, éste puede fallar repentinamente, provocando lesiones al operador. Cualquier forma de agrietamiento, rayado o cambio de color en las zonas de alto esfuerzo indica que se ha alcanzado la vida útil del componente y debe ser sustituido.

**ADVERTENCIA 2:** En el caso de los componentes de material compuesto, los daños por impacto pueden ser invisibles para el usuario; el fabricante debe explicar las consecuencias de los daños por impacto y que, en caso de impacto, los componentes de material compuesto deben devolverse al fabricante para su inspección o destruirse y sustituirse.

## LUBRICACIÓN

La lubricación es esencial en los distintos componentes que están en movimiento para evitar la corrosión. Engrase regularmente la cadena, cepille los piñones y los platos, introduzca periódicamente unas gotas de aceite en los alojamientos de los cables de los frenos y del desviador.

Es aconsejable limpiar y secar primero los componentes que se van a lubricar. Es aconsejable utilizar aceite específico para la cadena y el desviador. Para el resto de los componentes se debe utilizar grasa.

## NEUMÁTICOS

Se recomienda encarecidamente comprobar periódicamente la presión de los neumáticos. Conducir con los neumáticos insuficientemente inflados o excesivamente inflados puede perjudicar el rendimiento, provocar un desgaste prematuro, causar daños en la llanta, reducir la autonomía o aumentar el riesgo de accidentes. Si se observa un desgaste importante o una muesca en algún neumático, sustitúyalo antes de utilizar la bicicleta.

**IMPORTANTE :** El fabricante indica un rango de presión en el flanco del neumático. La presión debe ajustarse en función del peso del usuario.

## **FRENOS**

Antes de cada uso, compruebe que los frenos delanteros y traseros están en perfecto estado de funcionamiento. Compruebe los frenos con regularidad para evitar accidentes por mal funcionamiento de los mismos.

La palanca de freno no debe entrar en contacto con el manillar y las fundas no deben estar en ángulo cerrado para que los cables se deslicen con el mínimo roce. Los cables dañados, deshilachados u oxidados deben cambiarse inmediatamente.

**ADVERTENCIA:** En caso de lluvia o humedad, las distancias de frenado se prolongan.

## **LLANTAS**

Compruebe el estado de la llanta y límpiela si está sucia para evitar un deterioro prematuro. No conduzca con una llanta dañada o agrietada que pueda provocar un accidente.

## **CABLES**

Asegúrese de que los puertos de los cables no estén sueltos o rotos.

## **TORNILLO**

Compruebe los tornillos de las piezas principales y asegúrese de apretarlos regularmente. Las vibraciones de la unidad durante la conducción provocan vibraciones que aflojan los tornillos.

## **BATERÍA**

Por su seguridad y para optimizar el funcionamiento de la batería, guárdela siempre en un lugar seco y bien ventilado, lejos de la humedad. No debe estar sometida a golpes ni tener un cableado defectuoso.

**ADVERTENCIA:** Utilice únicamente la batería suministrada. No utilice ni cargue baterías no recargables.

## **CARGADOR**

Asegúrese de que el cable del cargador no esté dañado o que los hilos estén expuestos para evitar cortocircuitos. Las tomas de entrada y salida no deben estar dañadas ni deformadas.

**ADVERTENCIA:** Asegúrese de utilizar únicamente el cargador suministrado con el producto.

## **PORTAEQUIPAJES**

Si su moto se vende con un portaequipajes. Ya está fijado por encima de la rueda trasera. Las fijaciones deben apretarse y comprobarse con frecuencia.

Su portaequipajes está diseñado para una carga máxima no superior a 25 kg. Es posible fijar un asiento para niños.

Si se utiliza una silla con muelle, ésta debe estar protegida para evitar que se atrapen los dedos. Su portaequipajes no está diseñado para arrastrar un remolque.

Por razones de seguridad, el equipaje sólo debe transportarse en el portaequipajes. Cuando el portaequipajes está cargado, el comportamiento de su bicicleta puede cambiar. El equipaje no debe ocultar los reflectores y las luces de su bicicleta.

Distribuya la carga del equipaje de manera uniforme para favorecer la estabilidad de su bicicleta. Todo el equipaje debe estar bien sujeto al portaequipajes, antes de cada uso es importante comprobar que nada puede quedar atrapado en la rueda trasera de la bicicleta.

No ajuste el portaequipajes de forma arbitraria, pida consejo a su distribuidor sobre cómo ajustarlo si es necesario. No modifique el portaequipajes, cualquier modificación del portaequipajes por parte del usuario invalidará estas instrucciones.

### **ADVERTENCIAS SOBRE LOS RIESGOS ASOCIADOS A UN MONTAJE O AJUSTE INCORRECTO DE LOS DISTINTOS COMPONENTES DE LA BICICLETA:**

El incumplimiento de estas instrucciones puede provocar un uso inadecuado de la bicicleta, un desgaste prematuro de ciertos componentes que puede provocar una caída y/o un accidente.

### **4.3. LIMPIEZA DEL APARATO**

Siga estas instrucciones y precauciones para limpiar el dispositivo:

- Desenchufa todos los cables de carga del dispositivo antes de limpiarlo.
- No lo sumerja nunca en agua.
- No utilices un limpiador de alta presión, un chorro de agua o cualquier otro aparato o método de lavado que permita que el agua se filtre en el dispositivo.
- Limpie el dispositivo con una esponja ligeramente húmeda o un paño suave, evitando los conectores y los botones y asegurándose de que el agua no se filtre en los enchufes, los circuitos o el interior del producto.
- No utilice agua o limpiadores líquidos directamente sobre el dispositivo para limpiarlo.
- No utilice productos abrasivos ni disolventes, ya que podrían dañar la pintura del dispositivo.
- Tenga cuidado al limpiar y limpiar las partes de plástico.
- No utilice productos abrasivos ni disolventes para limpiar las piezas de metal o plástico.

### **4.4. CÓMO GUARDAR EL DISPOSITIVO**

Cargue completamente su dispositivo antes de guardarlo.

Almacene su producto en un lugar limpio y seco con una temperatura ambiente que oscile entre 0°C y 40°C.

## 5. PREGUNTAS FRECUENTES Y GARANTÍA

### 5.1. PREGUNTAS FRECUENTES

#### **Su dispositivo no se enciende**

Comprueba que el botón ON/OFF no está dañado y recarga tu dispositivo antes de volver a intentarlo.

#### **Su dispositivo no se puede recargar**

Compruebe que las conexiones del producto y del cargador original no están dañadas. Para identificar si el cargador o el aparato están defectuosos, compruebe que el indicador de carga del cargador está encendido. Cuando el cargador está conectado a la red eléctrica y al producto, el indicador estará:

**ROJO** (indica que el dispositivo se está cargando)

**VERDE:** indica que el aparato está completamente cargado.

**ROJO-VERDE:** parpadeando alternativamente. Esto ocurre cuando la batería está muy baja. Espere 15 minutos mientras permanece cerca. Si el indicador se vuelve rojo, el dispositivo se está cargando normalmente.

Si el indicador sigue parpadeando, significa que hay un problema con el cargador o el producto (batería, conector...).

Si el problema persiste, póngase en contacto con un centro de servicio autorizado para su reparación.

#### **Si el aparato no funciona bien:**

Esto puede ocurrir cuando se sobrecarga el motor mientras la batería no está completamente cargada. En tal caso, es necesario pisar el acelerador más despacio y, sobre todo, comprobar que la batería está completamente cargada.

### 5.2. GARANTÍA

Para obtener información sobre las condiciones de la garantía y las limitaciones de responsabilidad, consulte el manual de garantía suministrado, o consúltelo en línea utilizando el código QR que se encuentra en la última página o entrando en la siguiente dirección: **[download.yeep.me](https://download.yeep.me)**







Grazie per il vostro acquisto.  
Benvenuto su yeep.me

IT

## Indice

<b>1. NORME DI SICUREZZA</b>	<b>74</b>
<b>2. CONTENUTO E DATI TECNICI</b>	<b>78</b>
<b>3. UTILIZZO</b>	<b>79</b>
<b>4. MANUTENZIONE E PULIZIA</b>	<b>88</b>
<b>5. FAQ e GARANZIA</b>	<b>93</b>

*Prima di usare questo prodotto, leggere attentamente le istruzioni per l'uso. Queste vi permetteranno di capire, usare e mantenere correttamente questo prodotto, e di conoscerne le prestazioni e le caratteristiche.*

*Conservare questo manuale per riferimenti futuri. Se vendete o date questo prodotto a qualcun altro, assicuratevi di includere questo manuale insieme ad esso.*

## IT 1. NORME DI SICUREZZA

**1.** Questo prodotto è pensato per spostamenti individuali e può essere utilizzato dai ragazzi e dagli adulti.

L'uso, la pulizia, la manutenzione e ogni tipo di intervento sull'apparecchio non devono essere eseguiti da bambini di età inferiore ai 12 anni.

Questo apparecchio può essere utilizzato da bambini di età inferiore ai 12 anni e da persone con capacità fisiche, sensoriali o mentali ridotte o prive dell'esperienza o delle conoscenze necessarie, purché adeguatamente sorvegliati o istruiti in merito all'uso sicuro dell'apparecchio e informati sugli eventuali rischi legati all'uso dello stesso. I bambini non devono giocare con l'apparecchio. Le operazioni di pulizia e manutenzione di competenza dell'utente non devono essere eseguite dai bambini senza la sorveglianza di un adulto. È responsabilità dei genitori non lasciare mai i bambini incustoditi durante l'uso dell'apparecchio. Tenere il prodotto fuori dalla portata dei bambini.

Il caricabatterie può essere utilizzato da bambini di età pari o superiore a 8 anni e da persone con ridotte capacità fisiche, sensoriali o mentali o senza esperienza o conoscenza, se sono adeguatamente sorvegliati o se sono state fornite loro istruzioni su come utilizzare il dispositivo in modo sicuro e se sono stati compresi i rischi connessi. Assicurarsi che venga utilizzato solo il caricabatterie fornito con il prodotto.

Non trasportare altre persone, in particolare bambini, o oggetti. Fare attenzione a non superare il limite di peso, poiché ciò può causare lesioni fisiche o danni all'apparecchio. Il peso del conducente non implica che questo abbia l'altezza giusta per poter mantenere il controllo dell'apparecchio.

**2.** Questo apparecchio è pensato per spostamenti individuali. Non è pertanto progettato per competizioni, sport estremi e non deve mai essere utilizzato in uno skate park. Non utilizzare l'apparecchio per salire o scendere le scale, effettuare dei salti, saltare ostacoli, realizzare figure o compiere azioni pericolose. L'apparecchio non è un giocattolo, né un accessorio per il fitness.

Questo apparecchio non è pensato per un uso professionale o commerciale, come ad esempio il noleggio, l'inclusione in un parco auto o per trasferte professionali.

**3.** Questo apparecchio deve essere utilizzato con prudenza su una superficie piana, pulita, asciutta e priva di ghiaia e grasso, poiché è necessario garantire la massima aderenza delle ruote sul terreno per potersi spostare in sicurezza. Evitare ostacoli, buchi, dislivelli, e tombini, in quanto potrebbero causare incidenti. Rallentare in prossimità di dossi.

Tenersi a debita distanza dagli altri e rispettare le norme di sicurezza stradale. Il

comportamento degli altri utenti della strada può comportare gravi rischi. Anticipare gli ostacoli e non intralciare la circolazione procedendo ad una velocità adeguata. Lo spazio di frenata dipende dalla velocità, pertanto si raccomanda di fare attenzione a calcolare in anticipo lo spazio di frenata in caso di pioggia e/o su strade bagnate. Evitare manovre e frenate brusche, poiché l'apparecchio può scivolare, perdere l'equilibrio e cadere anche su una superficie liscia e piana. Essere sempre assolutamente vigili e mantenersi a distanza dai pedoni e dagli altri utenti della strada che potrebbero attraversare senza guardare. **AVVERTENZA!** Non utilizzare mai il prodotto fuori dagli spazi autorizzati ai sensi della normativa vigente.



**4.** Attenzione! L'apparecchio è pensato unicamente per l'uso in ambienti esterni. Si raccomanda di acquisire familiarità con e rispettare le norme in vigore nel luogo di utilizzo e applicabili sulle strade pubbliche e private.

**5.** Seguire un periodo di prova dell'apparecchio, utilizzandolo in un luogo aperto e su una superficie regolare, senza troppe persone, facendo attenzione a indossare un casco di protezione.

Durante gli spostamenti con l'apparecchio, indossare sempre scarpe chiuse e pantaloni. Non utilizzare l'apparecchio a piedi nudi o se si indossano sandali aperti. Evitare di indossare vestiti troppo larghi o con cordoni o lacci pendenti, sciarpe, ecc., poiché potrebbero impigliarsi nelle ruote. Ciò potrebbe comportare il rischio di soffocamento, caduta e/o collisioni.

**6.** Non utilizzare l'apparecchio in caso di pioggia o neve, nelle pozzanghere, nel fango o in altri ambienti umidi con più di 2 cm di acqua a terra, poiché l'acqua potrebbe penetrare all'interno dell'apparecchio. Per la pulizia dell'apparecchio, attenersi alle istruzioni fornite nel paragrafo 4.3.

Non utilizzare l'apparecchio in condizioni di scarsa visibilità. Se si circola durante la notte o al buio, si raccomanda di indossare indumenti o dispositivi catarifrangenti (ad esempio un gilet o una fascia ad alta visibilità, ecc.). Inoltre, fare sempre riferimento agli obblighi in materia di dispositivi di sicurezza in vigore nel luogo e nel paese di utilizzo.

**7.** Non utilizzare l'apparecchio sotto gli effetti di alcol o droghe. Per tutelare la vostra sicurezza, è vietato condurre l'apparecchio in simili condizioni.

**8.** Non lasciare l'apparecchio alla portata di chiunque possa avviarlo senza l'autorizzazione dell'utente principale o senza essere stati informati e aver acquisito familiarità con le presenti misure/linee guida di sicurezza e di utilizzo.

Nel caso in cui l'apparecchio venga prestato, assicurarsi che l'utilizzatore finale in questione sia in grado di utilizzarlo e fornire le informazioni necessarie in merito

alle misure di sicurezza applicabili. Si raccomanda, inoltre, di fare presente che è importante rispettare il codice della strada e indossare dispositivi di sicurezza adatti.

**9.** I dispositivi di mobilità sono soggetti a vincoli strutturali dovuti all'uso, al design e alle condizioni di utilizzo. Per questo motivo, si raccomanda di ispezionare l'apparecchio prima di ogni utilizzo e verificare il corretto funzionamento di tutti i dispositivi di sicurezza (freni, luci). I diversi punti di controllo e manutenzione dell'apparecchio sono descritti nel dettaglio nella sezione 4.2.

Se sono presenti parti allentate, avvisi di batteria scarica, pneumatici sgonfi, segni di usura eccessiva, rumori strani, malfunzionamento o qualsiasi altra condizione anomala, interrompere immediatamente l'uso dell'apparecchio e rivolgersi ad un professionista.














**10.** NON UTILIZZARE L'APPARECCHIO O RICARICARE LA BATTERIA NELLE SEGUENTI CIRCOSTANZE:

- Il prodotto è danneggiato.
  - La batteria emette un odore e un calore anomali.
  - I comandi dei freni e altri dispositivi di frenata o di sicurezza (luci) sono danneggiati.
- Interrompere l'utilizzo dell'apparecchio e non toccare il liquido che fuoriesce in caso di perdite. Non esporre la batteria dell'apparecchio ad un calore eccessivo.

**11.** La batteria non può essere sostituita dall'utente. Contattare il servizio assistenza del rivenditore o del fabbricante per eventuali modifiche/riparazioni dell'apparecchio.

**12.** La batteria, come le altre pile, deve essere smaltita in modo adeguato. Se non è possibile restituire il prodotto al rivenditore, gettare le batterie nei contenitori previsti a tale scopo (rivolgersi al servizio assistenza del fabbricante per ulteriori informazioni) al fine di garantire la protezione dell'ambiente.

**13.** L'eventuale apertura dell'apparecchio o del prodotto può alterare le condizioni di sicurezza e, in questo caso, il fabbricante non sarà in alcun modo responsabile. Inoltre, è importante notare che l'apertura annulla la garanzia applicata all'apparecchio o al prodotto. Se tuttavia desiderate effettuare riparazioni al vostro apparecchio o prodotto, il fabbricante declina ogni responsabilità per l'affidabilità della riparazione e per eventuali danni associati a tale riparazione. Qualsiasi incidente che possa verificarsi a seguito di questa riparazione non sarà in alcun modo responsabilità del fabbricante. In caso di dubbi o di necessità di assistenza, contattare un rivenditore autorizzato o l'assistenza clienti del fabbricante.

Pittogramma	Significato
	Leggere sempre attentamente le istruzioni.
	Peso del solo prodotto.
	Peso massimo per l'utente del prodotto.
	Potenza del motore del dispositivo (in kW)
	Velocità massima del dispositivo (in km/h)
	Il punto esclamativo all'interno di un triangolo equilatero ha lo scopo di avvisare l'utente della presenza di importanti istruzioni operative e di manutenzione (assistenza) nel manuale dell'utente.
	Questa unità non deve entrare in contatto con l'acqua. Non conservare l'unità in un luogo umido.
	Il simbolo del lampo con la punta a freccia all'interno di un triangolo equilatero ha lo scopo di avvertire l'utente della presenza di «tensione pericolosa» all'interno dell'involucro del prodotto che può essere di entità sufficiente a costituire un rischio di shock elettrico.
	Questo simbolo indica che questo apparecchio ha un doppio isolamento elettrico tra la tensione (pericolosa) della fonte di alimentazione e le parti accessibili all'utente.
	Attenzione! L'equipaggiamento protettivo che include protezioni per i polsi, guanti, ginocchiere, casco e gomitiere deve essere indossato.
	Le apparecchiature elettriche ed elettroniche devono essere selezionate e smaltite separatamente. Non smaltire le apparecchiature elettriche ed elettroniche con i normali rifiuti domestici non differenziati, ma portarle in un centro di raccolta differenziata.
	Questa marcatura è usata sulla targhetta per indicare che l'attrezzatura funziona solo in corrente continua o per identificare i terminali corrispondenti.
	Questa marcatura serve a identificare il dispositivo elettronico che comprende il trasformatore e il circuito elettronico, che converte l'energia elettrica in uno o più connettori di uscita.

## IT 2. CONTENUTO E DATI TECNICI

### La confezione contiene:

- Bicicletta elettrica yeep.me CARGO
- Utensili
- Caricabatteria con adattatore di rete originale
- Chiave di blocco della batteria
- Manuale dell'utente
- Manuale di garanzia
- Dichiarazione CE
- Scheda di garanzia **DA CONSERVARE** (contiene il n. di serie dell'apparecchio, la data di fabbricazione e le informazioni necessarie per convalidare la garanzia dell'apparecchio).

### Dati tecnici:

<b>Batteria :</b>	Ioni di litio 13Ah 36V
<b>Tempo di ricarica :</b>	6-8h
<b>Autonomia :</b>	70 km max con assistenza*
<b>Velocità :</b>	25 km/h*
<b>Motore :</b>	500W Nominal 48V
<b>Caricabatterie :</b>	Ingresso : 100-240V ~ 2A 47-63 Hz Uscita : 54.6V === 2A 109.2 W
<b>Peso massimo supportato :</b>	120 kg
<b>Peso del dispositivo :</b>	28.5 kg
<b>Dimensioni del dispositivo :</b>	212x28x146cm
<b>Riferimento del modello :</b>	BIGFOOT
<b>Riferimento del caricatore :</b>	DPLC110V55

\* In generale, i dati relativi all'autonomia e alla velocità vengono forniti a titolo indicativo. Infatti, variano a seconda del peso dell'utente e delle condizioni di utilizzo (pendenza, temperatura esterna, igometria, velocità e sollecitazione del motore). Le specifiche possono, dunque, cambiare. Le indicazioni relative alla velocità e all'autonomia non sono vincolanti per il rivenditore o la società CIBOX INTERACTIVE.

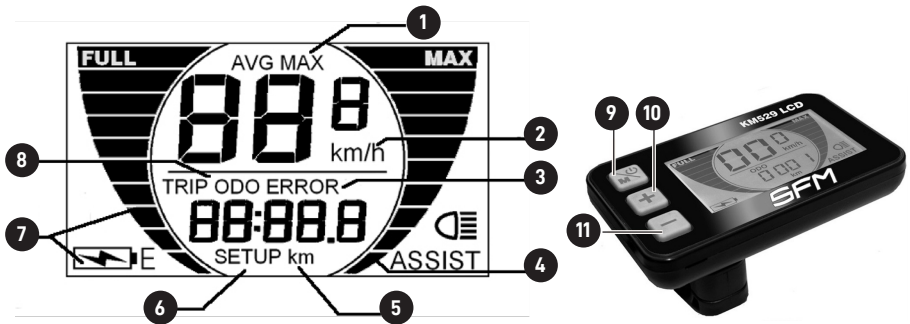
## 3. UTILIZZO

### 3.1. DESCRIZIONE DELL'APPARECCHIO



(1). Display (2). Freno a disco idraulico anteriore e posteriore (3). Sella (4). Luce freno (5). Deragliatore, freno a disco posteriore (6). Motore (7). Batteria rimovibile (8). Luce anteriore (9). Forcella anteriore idraulica (10). Freno a disco anteriore idraulico

#### ORDINI :



(1). Velocità media / Velocità massima (km/h) (2). Velocità (km/h) (3). Codice di errore (4). Livello di assistenza (5). Distanza percorsa (6). Impostazione (7). Livello di carica della batteria (8). Distanza percorsa (TRIP) / Distanza totale (ODO) (9). Pulsante MODE/on/off (10). Pulsante + (11). - Pulsante

#### Come si usa :

- Premere il pulsante MODE (9) per 2 secondi per accendere o spegnere il display.
- Premere i pulsanti MODE (9) e + (10) per 2 secondi per passare dalla visualizzazione di VELOCITÀ / VELOCITÀ MEDIA / VELOCITÀ MASSIMA.
- Premere MODE (9) per passare dalla visualizzazione TRIP a quella ODO.
- Per azzerare la distanza percorsa (TRIP), premere contemporaneamente i pulsanti MODE (9)

e - (11) per 2 secondi.

- Per accendere o spegnere i fari, premere il pulsante + (10) per 2 o 3 secondi. Un indicatore appare in basso a destra sullo schermo per indicare se i fari sono accesi o spenti.
- Quando la batteria è scarica, accanto al simbolo della batteria (7) lampeggia una E. È quindi necessario ricaricare immediatamente il dispositivo. È quindi necessario ricaricare immediatamente il dispositivo.
- Per passare da una modalità di assistenza all'altra, premere i pulsanti + (10) e - (11) dopo l'accensione del display. È possibile scegliere tra i 5 livelli di assistenza disponibili.

### **Modalità di assistenza:**

Il dispositivo dispone di 5 modalità di velocità. Il sistema di assistenza elettrica si attiva da 1 a 1,5 giri di pedali.

0: nessuna assistenza, questa è la modalità selezionata all'accensione del display.

1: l'assistenza elettrica si interrompe quando la velocità raggiunge i 10 km/h.

2: l'assistenza elettrica si interrompe quando la velocità raggiunge i 14 km/h.

3: l'assistenza elettrica si arresta quando la velocità raggiunge i 18 km/h.

4: l'assistenza elettrica si ferma quando la velocità raggiunge i 22 km/h.

5: l'assistenza elettrica si arresta quando la velocità raggiunge i 25 km/h.

### **VELOCITÀ:**

Il dispositivo è dotato di 7 velocità.

Si dovrebbe passare a un numero inferiore non appena lo sforzo diventa importante.

Al contrario, per evitare la sensazione di pedalare «a vuoto», bisogna selezionare un numero più alto.

Utilizzare la leva del cambio sul manubrio per cambiare le marce.

### **ILLUMINAZIONE :**

L'illuminazione è una caratteristica di sicurezza della vostra bicicletta, deve essere obbligatoria sulla vostra bicicletta. Controllate che il vostro sistema d'illuminazione funzioni e che le vostre batterie siano cariche prima di partire.

### **CAMPANELLO:**

Un campanello è installato sul tuo manubrio. Il campanello è un dispositivo di sicurezza della vostra bicicletta, deve essere obbligatoriamente presente sul vostro manubrio.

### **FRENI:**

La maniglia destra attiva il freno posteriore.

La maniglia sinistra attiva il freno anteriore.

## **3.2. DISIMBALLAGGIO E ASSEMBLAGGIO DELL'APPARECCHIO**

Per disimballare il prodotto, si raccomanda di predisporre una superficie libera e



abbastanza grande in modo da poter procedere al disimballaggio e alla preparazione dell'apparecchio senza impedimenti. Estrarre l'apparecchio dal cartone, facendo attenzione a non ferirsi o danneggiare altri prodotti o il locale in cui si opera. Farsi aiutare da un'altra persona se il peso dell'apparecchio è troppo elevato (il peso è indicato sull'imballaggio).

Il disimballaggio e l'assemblaggio devono essere effettuati da un adulto.

### Montaggio dei pedali :

Usare i segni R (destra) e L (sinistra) per identificarli.

1. Montare il pedale destro sul braccio destro della pedivella. Stringere il pedale in senso orario utilizzando la chiave in dotazione.
2. Quindi avvitare il pedale sinistro sul braccio sinistro della pedivella in senso antiorario.

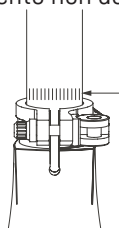
### Montaggio del manubrio :

1. Per prima cosa orientare il manubrio nella giusta direzione.
2. Stringere la vite di fissaggio sull'attacco manubrio utilizzando la chiave in dotazione.
3. Controllare che il manubrio sia orientato correttamente.

### Montaggio e regolazione della sella:

Allentare il dado del morsetto del reggisella per poter cambiare l'altezza del reggisella nel telaio.

Selezioni un'altezza e stringe il dado del morsetto del reggisella. Quando si regola la sella nella sua posizione più bassa, assicurarsi che la sella non tocchi alcun componente della bicicletta, come il coperchio della batteria. Inoltre, si assicuri di non superare il segno di inserimento minimo del tubo sella. Questo segno di inserimento non dovrebbe mai essere visibile quando si usa la bicicletta.



**IMPORTANTE:** per determinare l'altezza della sella, sedetevi sulla bicicletta e mettete un tallone sul pedale in posizione abbassata con la pedivella parallela al reggisella. Quando la gamba è estesa, l'altezza della sella è corretta.

**IT Altezza della sella consigliata e taglia dell'utente:**

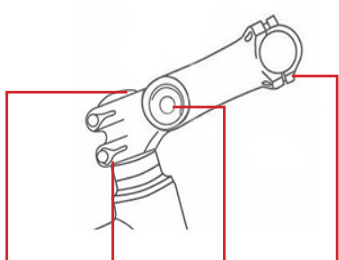
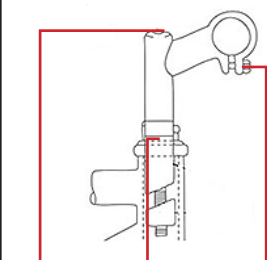
Dimensioni della ruota	Altezza massima della sella	Altezza minima della sella	Taglia raccomandata per l'utente*
<b>20"</b>	<b>96 cm</b>	<b>84 cm</b>	<b>165 - 185 cm</b>

\* Dimensione per un uso «ottimale» del dispositivo.

**Serraggio consigliato per manubrio, attacco, sella, reggisella e componenti delle ruote:**

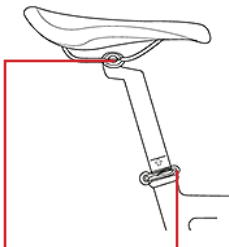
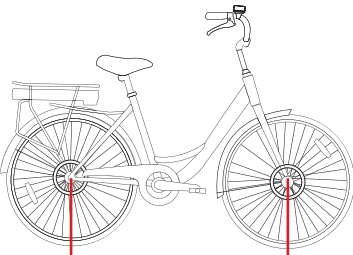
Per garantire il corretto fissaggio di manubrio, attacco, sella, reggisella e ruote, si raccomanda di utilizzare chiavi di serraggio appropriate e di applicare una forza di serraggio conforme alle coppie di serraggio specifiche per ciascuno dei componenti dei seguenti diversi modelli di biciclette (in Nm):

**Stelo e manubrio:**

	MODELLO con stelo AHEADSET				MODELLO con steli a pistone		
							
Modello	Stelo sulla testa del telaio a vite verticale	Stelo sulla testa del telaio (forcella)	Stelo di regolazione dell'altezza	Manubrio su gambo	Stelo sulla testa del telaio a vite verticale	Dado dello stelo sulla testa del telaio (forcella)	Manubrio su gambo
yeep.me CARGO	5.9	5.9	15	3.2	/	/	/

**Attenzione:** L'uso di un'estensione aerodinamica o di altro tipo posta sul manubrio può avere un'influenza negativa sul tempo di risposta del pilota durante la frenata e la curva.

**Sella e ruote :**

	SELLA		RUOTE	
				
Modello	Sella e reggisella	Reggisella e tubo sella (telaio)	Ruota posteriore al telaio	Dalla ruota anteriore alla forcella
yeeep.me CARGO	22	bloqueo rápido	135	25

**Attenzione:** In certe condizioni, il controller, il caricatore, i dischi meccanici e alcune parti del prodotto possono raggiungere temperature elevate. Pertanto, evitare il contatto o proteggersi (guanti, protezioni,...) prima di toccare queste parti nei minuti successivi all'utilizzo del prodotto. Non esporre il prodotto a temperature superiori a 50°C. Oltre questo intervallo, l'autonomia sarà compromessa. Inoltre, in un ambiente confinato, le alte temperature influenzeranno i materiali compositi del prodotto.

**3.3. RICARICA E INDICATORE DELLA BATTERIA**

Ricaricare la batteria prima di utilizzare l'apparecchio per la prima volta. Per fare ciò, utilizzare il caricabatteria fornito in dotazione.



**Attenzione:** tutte le operazioni di ricarica devono essere effettuate obbligatoriamente con il caricabatteria originale fornito in dotazione con l'apparecchio. In caso di dubbi, perdita o malfunzionamento, non caricare l'apparecchio con un altro caricabatteria. Si consiglia di acquistarne uno nuovo presso il rivenditore. Nell'ultima pagina del manuale di garanzia è riportato l'indirizzo e-mail del servizio assistenza da contattare in caso di necessità.

Successivamente, verificare il livello di carica della batteria prima di ogni utilizzo, servendosi dell'indicatore di carica della batteria **(19)**.

Ci sono due modi per ricaricare la batteria:

1. Rimuovere la batteria per ricaricarla.
2. Ricaricare la batteria direttamente dal pacco batterie attaccato alla moto.

In ogni caso, si consiglia di effettuare i collegamenti nel seguente ordine:

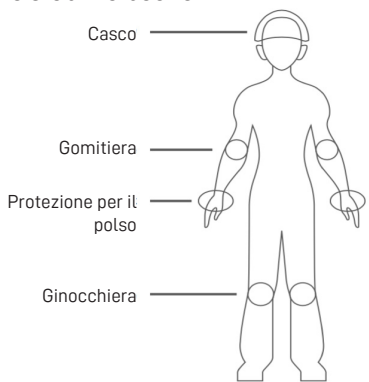
1. Collegare prima la spina di uscita del caricabatterie alla batteria, quindi collegare la spina di ingresso del caricabatterie alla presa elettrica domestica.
2. Scollegare prima la spina d'ingresso dalla presa elettrica di casa, poi la spina

d'uscita dalla batteria.

Nota: Si raccomanda di ricaricare la batteria dopo ogni uso e almeno una volta al mese. La batteria dovrebbe essere ricaricata al chiuso.

### 3.4. PREPARAZIONE

Per garantire la vostra sicurezza, si raccomanda di utilizzare l'apparecchio in condizioni adeguate e indossare i dispositivi di protezione necessari, come ad esempio il casco o le protezioni per le articolazioni (ginocchiere e gomitiere). Inoltre, per garantire la vostra sicurezza e quella delle altre persone, si raccomanda di utilizzare l'apparecchio indossando sempre scarpe chiuse e preferibilmente basse, in modo da avere aderenza e stabilità buone.



### 3.5. MODALITÀ DI UTILIZZO DELL'APPARECCHIO (LEGGERE PRIMA DEL PRIMO UTILIZZO)

#### USO DEL CASCO

Si consiglia vivamente di dotarsi, prima di guidare la moto, di almeno un casco, che deve essere conforme alle norme sui dispositivi di protezione individuale e deve essere fissato.

**ATTENZIONE:** L'utente deve rispettare i requisiti delle normative nazionali quando utilizza la bicicletta su strade pubbliche, incluso il rispetto del Codice della Strada.

**ATTENZIONE:** L'utente ha l'obbligo di installare sulla bicicletta dispositivi di illuminazione, segnalazione e avvertimento.

- È vietato andare sul marciapiede, altrimenti la bicicletta deve essere tenuta in mano.

- Non indossare cuffie o qualsiasi dispositivo che possa emettere suoni, né utilizzare un telefono a mano.

L'uso di un giubbotto retroriflettente certificato è obbligatorio per tutti i ciclisti

e i passeggeri che viaggiano fuori città di notte o quando la visibilità è scarsa. Il fabbricante declina ogni responsabilità se il conducente della bicicletta non rispetta le norme in vigore.

### 3.6. PRIMO UTILIZZO

Prima di ogni utilizzo, si prega di controllare le condizioni generali della bicicletta. Il buono stato delle parti soggette ad usura come freni, pneumatici, sterzo, trasmissione, cerchi, ecc. deve essere controllato dall'utente prima di ogni utilizzo e regolarmente controllato, revisionato e regolato da un meccanico qualificato. Si assicuri di effettuare la corretta manutenzione della bicicletta secondo le istruzioni del manuale d'uso.

L'intervallo di temperatura ideale per l'uso delle biciclette elettriche è compreso tra 5 e 25°C. L'uso della bicicletta elettrica a basse temperature, inferiori a 5°C, non danneggia la batteria ma può ridurre le prestazioni.

Il dispositivo emette una pressione sonora media inferiore a 70dB alle orecchie dell'utente.

**ATTENZIONE:** Come ogni componente meccanico, una bicicletta è soggetta a forti sollecitazioni e usura. Materiali e componenti diversi possono reagire in modo diverso all'usura e alla fatica. Se un componente ha superato la sua aspettativa di vita, potrebbe rompersi con un solo colpo, causando eventualmente lesioni al ciclista. Crepe, graffi e scolorimento in aree ad alta sollecitazione indicano che il componente ha superato la sua aspettativa di vita e dovrebbe essere sostituito.

1. Controllare che la batteria sia saldamente in posizione e bloccata con la chiave nella posizione «LOCK».
2. Accendere l'unità premendo il pulsante ON/OFF sul pannello di controllo.
3. Iniziare a pedalare come una normale bicicletta.

### CODICI DI ERRORE DELLO SCHERMO

N°	Significato
21	Corrente Anomala
22	Anomalia dell'acceleratore
23	Problema di fase del motore
24	Difetto di Hall del motore
25	Freno non funzionante
30	Comunicazione anomala

### 3.7. COME RIMUOVERE E SOSTITUIRE LA BATTERIA

Gira la chiave verso destra e poi usa la maniglia per sbloccare la batteria e rimuoverla. Per sostituire la batteria, fai il contrario.

### 3.8. ASSISTENZA, PARCHEGGIO E AUTONOMIA

#### ASSISTENZA ALLA PEDALATA:

La bicicletta è dotata di un'assistenza elettrica alla pedalata. Il motore, situato nel mozzo della ruota posteriore, si avvia quando l'utente inizia a pedalare e completa i suoi sforzi. Il funzionamento dell'assistenza elettrica dipende dalla velocità dei pedali e dalla velocità della bicicletta. Come stabilito dall'attuale legislazione europea, il motore da 250W si ferma a 25 km/h e si spegne non appena l'utente smette di pedalare.

Per aumentare o diminuire la potenza del motore e quindi dell'assistenza elettrica, premere i pulsanti del pannello di controllo.

#### Parcheggio :

- Spegnerne l'alimentazione premendo il pulsante ON/OFF sul pannello di controllo.
- Bloccare la batteria con la chiave o rimuoverla e portarla con sé quando l'unità non è in uso.
- Si consiglia di fissare l'unità quando non è in uso per evitare il furto.
- Non parcheggiare mai l'unità all'esterno quando piove o nevicata. Preferite un garage asciutto e ben ventilato. Dopo un viaggio sotto la pioggia o la neve, portare l'unità in un luogo riparato e asciugare l'umidità con un asciugamano pulito e asciutto.

#### Chilometraggio/Autonomia :

Molti fattori influenzano il tasso di utilizzo dell'energia elettrica e l'autonomia, come indicato nella parte 4.

Per massimizzare l'autonomia della vostra unità, è importante prendere nota dei seguenti punti:

- Caricare completamente la batteria prima di un lungo viaggio.
- L'autonomia pubblicizzata è misurata in condizioni d'uso ottimali. Il peso dell'utente, la velocità di guida, le strade accidentate e i terreni collinari, la pressione degli pneumatici, il vento contrario, i frequenti cambiamenti di velocità e di frenata (in città) e la temperatura esterna sono tutti fattori che influenzano l'autonomia del dispositivo.
- Guidare con pneumatici correttamente gonfiati e un apparecchio pulito e ben lubrificato fa risparmiare energia.
- Controlla regolarmente le impostazioni dei freni e assicurati che entrambe le ruote si muovano liberamente (che i freni non sfreghino sulla ruota durante la guida).
- La capacità della batteria diminuisce con l'invecchiamento.

### 3.9. LIMITI DI VELOCITÀ

Il prodotto è pensato per spostarsi ad una velocità massima di 25 km/h.

Si raccomanda, tuttavia, di rispettare i limiti di utilizzo del prodotto in conformità con le norme di sicurezza stradale applicabili nel paese di interesse.

### 3.10. PESO DEL CONDUCENTE

Il peso del conducente non deve essere superiore a 120 kg.

Nota: il mancato rispetto del limite di peso aumenta il rischio di caduta o di danneggiamento del prodotto.

## 4. MANUTENZIONE E PULIZIA

### 4.1. BATTERIA

La capacità della batteria al litio diminuisce ad ogni ciclo di ricarica e scarica durante la vita utile della batteria stessa. La nozione di ciclo di vita si applica anche alle batterie al litio (ad esempio, circa 300 cicli per un monopattino). Pertanto, a partire da 300 CICLI COMPLETI di ricarica e scarica, la capacità della batteria inizierà a diminuire (basti pensare, ad esempio, agli smartphone).

Questa perdita parziale di capacità non impedisce alla batteria di funzionare ma ne riduce le prestazioni e, in particolare, l'autonomia.

Si raccomanda di utilizzare l'apparecchio e, soprattutto, di ricaricare la batteria almeno una volta al mese; in effetti, la batteria al litio si scarica anche quando il prodotto è spento. Per questo motivo, se la batteria non viene ricaricata per diverse settimane o mesi, potrebbe subire una riduzione della capacità o potrebbe addirittura non poter essere ricaricata.

Inoltre, è possibile ricaricare la batteria al litio dopo ogni utilizzo, in quanto non risente del cosiddetto effetto memoria.

**ATTENZIONE:** la batteria deve essere ricaricata solo in ambienti interni o in locali al riparo dalle intemperie (pioggia, neve, calore eccessivo, ecc.).

**Per conservare al meglio la batteria dell'apparecchio, riportiamo di seguito alcuni promemoria e consigli per l'uso:**

- Non scollegare il caricabatteria prima che la batteria si sia ricaricata completamente.
- Conservare il prodotto con la batteria installata in un luogo fresco (temperatura > 0 °C), assicurandosi che la temperatura sia prossima a 15 °C. Attenzione: anche un calore eccessivo può deteriorare la batteria.
- Evitare di scaricare completamente la batteria.
- Evitare di ricaricare la batteria in ambienti caldi. Lasciar riposare l'apparecchio per un tempo compreso tra 15 minuti e un'ora dopo l'uso, prima di ricaricare la batteria.
- Evitare i sovraccarichi. Non lasciare il caricabatteria collegato per più di 24 ore, in

quanto si riscalda inutilmente.

**Nota:** Si raccomanda di ricaricare la batteria dopo ogni utilizzo e almeno una volta al mese, anche in caso di non utilizzo dell'apparecchio.

**Importante:** quando rimane solo un quarto della capacità della batteria e il tragitto per raggiungere il punto di ricarica non è vicino, si raccomanda di passare in modalità Eco.

**Consiglio:** durante gli spostamenti, l'indicatore di livello della batteria sul display può diminuire improvvisamente, a seconda della modalità di guida (forti sollecitazioni dell'acceleratore, tragitto in salita, temperatura esterna inferiore a 10 °C...). È importante ricordare che il livello reale della batteria viene visualizzato in modo più preciso quando l'apparecchio è spento.

## 4.2. ISPEZIONE E MANUTENZIONE DELL'APPARECCHIO

Il prodotto deve essere ispezionato regolarmente e sottoposto ad una manutenzione ordinaria. Nel presente capitolo viene descritta la procedura di manutenzione e funzionamento. Prima di eseguire le operazioni seguenti, assicurarsi che l'alimentazione sia stata scollegata e il cavo di ricarica sia stato disinserito. Prima di ogni utilizzo, verificare attentamente quanto segue:

- La corretta installazione delle impugnature.
- Il corretto funzionamento delle ruote, sollevando l'apparecchio e facendole girare a vuoto.
- La colonna e il tubo di sterzo, per accertarsi che possano muoversi liberamente. La corretta regolazione del gruppo di sterzo e il corretto serraggio e le condizioni operative di tutti gli elementi di collegamento e delle viti.
- Il serraggio delle viti delle ruote anteriore e posteriore, degli ammortizzatori e del coperchio del vano batteria e stringerle nuovamente, se necessario. Le vibrazioni generate dalla guida dell'apparecchio comportano la necessità di successive regolazioni.
- Lo stato di usura delle ruote. La pressione delle ruote, se l'apparecchio è dotato di ruote gonfiabili, che dovranno essere gonfiate, se necessario, utilizzando una pompa per biciclette o un attrezzo simile.
- I freni, le guarnizioni dei tamburi, le pastiglie dei freni o il freno a pedale, a seconda della dotazione dell'apparecchio. Se l'apparecchio è dotato di freni meccanici (a disco, a tamburo, freno a pedale), assicurarsi che non vi sia uno sfregamento a causa della tensione dei cavi o di altri problemi, in quanto ciò causerebbe un rallentamento dell'apparecchio e ne impedirebbe il normale utilizzo. Inoltre, il surriscaldamento dei freni può comprometterne l'efficienza.
- Il corretto funzionamento del freno elettrico, se presente sull'apparecchio.

Se, dopo avere nuovamente serrato tutti i componenti, si riscontra un gioco che può compromettere la sicurezza della guida, si avverte un rumore insolito o vi è un difetto visibile che compromette la fluidità di guida, interrompere l'uso dell'apparecchio e contattare il proprio rivenditore per ulteriori informazioni o per ricevere assistenza.

Se il prodotto, un componente o la batteria sono usurati e devono essere smaltiti,



rivolgersi ad un centro autorizzato per la riparazione o il riciclaggio.

## **MANUTENZIONE E PEZZI DI RICAMBIO :**

La tua moto richiede una manutenzione regolare per la tua sicurezza ma anche per aumentare la sua durata di vita. È importante controllare periodicamente i componenti meccanici per assicurarsi che le parti usurate o consumate siano sostituite se necessario.

La batteria deve essere rimossa prima di ogni operazione di manutenzione.

**ATTENZIONE:** Quando si sostituiscono i componenti è importante utilizzare parti originali per mantenere le prestazioni e l'affidabilità della bicicletta. Solo le parti del produttore sono considerate parti originali.

**ATTENZIONE:** È responsabilità dell'utente in caso di acquisto e utilizzo di parti false (contraffatte) che successivamente causano danni al prodotto, alla persona o all'ambiente.

Assicuratevi di utilizzare ricambi appropriati per pneumatici, camere d'aria, elementi della trasmissione e vari componenti dell'impianto frenante. In caso di domande, contattate il servizio assistenza o il vostro rivenditore.

Il produttore non può essere ritenuto responsabile di un uso improprio o di un'installazione errata.

**ATTENZIONE 1:** Come tutti i componenti meccanici, l'EPAC è soggetto a usura e a forti sollecitazioni. Materiali e componenti diversi possono reagire all'usura o alla fatica da sforzo in modi diversi. Se la vita nominale di un componente è stata superata, esso può cedere improvvisamente, causando lesioni all'operatore. Qualsiasi forma di incrinatura, graffio o cambiamento di colore nelle aree ad alta sollecitazione indica che la vita del componente è stata raggiunta e deve essere sostituito.

**ATTENZIONE 2:** Per i componenti compositi, i danni da impatto possono essere invisibili all'utente, il produttore deve spiegare le conseguenze dei danni da impatto e che in caso di impatto, i componenti compositi devono essere restituiti al produttore per l'ispezione o distrutti e sostituiti.

## **LUBRIFICAZIONE**

La lubrificazione è essenziale sui vari componenti in movimento per evitare la corrosione. Oliare regolarmente la catena, spazzolare i pignoni e gli ingranaggi, introdurre periodicamente qualche goccia d'olio nelle guaine dei cavi dei freni e del deragliatore.

Si consiglia di pulire e asciugare prima i componenti da lubrificare. Si consiglia di utilizzare olio specifico per la catena e il deragliatore. Il grasso dovrebbe essere usato per gli altri componenti.

## **PNEUMATICA**

Si raccomanda vivamente di controllare periodicamente la pressione dei pneumatici.

Guidare con pneumatici sottogonfiati o sovragonfiati può compromettere le prestazioni, causare un'usura prematura, danneggiare i cerchi, ridurre l'autonomia o aumentare il rischio di incidenti. Se è visibile una forte usura o una tacca su un qualsiasi pneumatico, sostituirlo prima di guidare la bicicletta.

**IMPORTANTE:** Una gamma di pressione è indicata sul fianco del pneumatico dal produttore. La pressione deve essere regolata in base al peso dell'utente.

## FRENI

Prima di ogni utilizzo, controllate che i freni anteriori e posteriori siano in perfetto stato di funzionamento. Controlli regolarmente i freni per evitare incidenti dovuti al malfunzionamento dei freni.

La leva del freno non deve entrare in contatto con il manubrio e le guaine non devono essere ad angolo chiuso in modo che i cavi scorrano con il minimo attrito. I cavi danneggiati, sfilacciati e arrugginiti devono essere sostituiti immediatamente.

**ATTENZIONE:** In caso di pioggia o bagnato gli spazi di frenata si allungano.

## CERCHI

Controlli le condizioni del cerchio e lo pulisca se è sporco per evitare un deterioramento prematuro. Non vada in bicicletta con un cerchio danneggiato o incrinato che potrebbe causare un incidente.

## CAVI

Assicuratevi che le porte dei cavi non siano allentate o rotte.

## VITE

Controllare le viti delle parti principali e assicurarsi di stringerle regolarmente. Le vibrazioni dell'unità durante la guida causano vibrazioni che allentano le viti.

## BATTERIA

Per la vostra sicurezza e per ottimizzare il funzionamento della batteria, conservatela sempre in un luogo asciutto, ben ventilato e lontano dall'umidità. Non deve essere sottoposta a colpi o avere un cablaggio difettoso.

**ATTENZIONE:** Usare solo la batteria in dotazione. Non utilizzare o caricare batterie non ricaricabili.

## CARICABATTERIE

Assicurarsi che il cavo del caricatore non sia danneggiato o che i fili siano esposti per evitare cortocircuiti. Le prese di ingresso e uscita non devono essere danneggiate o deformate.

**ATTENZIONE:** Assicurarsi di utilizzare solo il caricabatterie fornito con il prodotto.

## PORTAPACCHI

Se la tua moto viene venduta con un portapacchi. È già fissato sopra la ruota

posteriore. I fissaggi devono essere serrati e controllati frequentemente. Il portapacchi è progettato per un carico massimo non superiore a 25 kg. È possibile fissare un seggiolino per bambini.

Quando si usa una sella a molla, questa deve essere protetta per evitare l'intrappolamento delle dita. Il portapacchi non è progettato per trainare un rimorchio. Per ragioni di sicurezza, i bagagli devono essere trasportati solo sul portapacchi. Quando il portapacchi è carico, il comportamento della bicicletta può cambiare. I bagagli non devono oscurare i riflettori e le luci della vostra bicicletta.

Distribuisca uniformemente il carico dei bagagli per favorire la stabilità della bicicletta. Tutti i bagagli devono essere fissati saldamente al portapacchi, prima di ogni utilizzo è importante controllare che nulla possa impigliarsi nella ruota posteriore della bicicletta.

Non regoli il portapacchi arbitrariamente, chiedi consiglio al tuo rivenditore su come regolarlo se necessario. Non modificare il portapacchi, qualsiasi modifica del portapacchi da parte dell'utente invaliderà queste istruzioni.

#### **AVVERTENZE SUI RISCHI ASSOCIATI AL MONTAGGIO O ALLA REGOLAZIONE ERRATA DEI VARI COMPONENTI DELLA BICICLETTA:**

Il mancato rispetto di queste istruzioni può comportare un uso improprio della bicicletta, un'usura prematura di alcuni componenti che può portare a una caduta e/o a un incidente.

#### **4.3. PULIZIA DELL'APPARECCHIO**

Si raccomanda di seguire i consigli e le precauzioni per la pulizia dell'apparecchio di seguito riportati:

- Scollegare i cavi di ricarica dall'apparecchio prima di procedere alla pulizia.
- Non immergere l'apparecchio nell'acqua.
- Non utilizzare un'idropulitrice ad alta pressione, un getto d'acqua o ogni altro sistema e metodo di lavaggio che potrebbe comportare l'infiltrazione dell'acqua all'interno dell'apparecchio.
- Pulire l'apparecchio con una spugna leggermente umida o un panno morbido, evitando i connettori e i pulsanti e facendo attenzione a non far penetrare l'acqua sulle prese, nei circuiti o all'interno del prodotto.
- Non versare acqua o detersivi liquidi direttamente sul prodotto durante la pulizia.
- Non utilizzare prodotti abrasivi o solventi che potrebbero danneggiare la vernice dell'apparecchio.
- Fare molta attenzione durante la pulizia e asciugare le parti in plastica.
- Non utilizzare prodotti abrasivi o solventi per pulire le parti metalliche o in plastica.

#### **4.4. ISTRUZIONI PER RIPORRE CORRETTAMENTE L'APPARECCHIO**

- Ricaricare completamente il prodotto prima di riporlo.
- Riporre il prodotto in un ambiente pulito e asciutto, con una temperatura ambiente compresa tra 0 e 40 °C.\*

## 5. FAQ e GARANZIA

### 5.1. FAQ

#### **L'apparecchio non si accende**

Verificare che il pulsante di accensione/spegnimento non sia danneggiato e ricaricare l'apparecchio prima di provare nuovamente ad accenderlo.

#### **L'apparecchio non si ricarica**

Verificare che i connettori del prodotto e il caricabatteria forniti in dotazione non siano danneggiati.

Per verificare se il caricabatteria o l'apparecchio non funzionano in modo adeguato, accertarsi che la spia di ricarica sul caricabatteria si accenda correttamente. Quando il caricabatteria è collegato alla rete elettrica e al prodotto, la spia può essere:

- **ROSSA** non lampeggiante (significa che il prodotto è in carica)
- **VERDE**: indica che l'apparecchio è carico.
- **ROSSA - VERDE**: lampeggiante alternativamente. Ciò si verifica, ad esempio, quando la batteria è molto scarica. Attendere 15 minuti rimanendo in prossimità dell'apparecchio. Se la spia diventa rossa, significa che si è avviata la ricarica normale. Se la spia continua a lampeggiare, significa che il caricabatteria o il prodotto presentano un problema (batteria, connettore, ecc.).

Se il problema persiste, rivolgersi ad un centro assistenza autorizzato per richiederne la riparazione.

#### **L'apparecchio funziona a scatti:**

Ciò può accadere quando il motore viene sollecitato eccessivamente e la batteria non è completamente carica. In questo caso, ridurre la potenza regolando l'acceleratore e, soprattutto, verificare che la batteria sia carica.

### 5.2. GARANZIA

Per qualunque informazione sulle condizioni di garanzia e sulle limitazioni di responsabilità, fare riferimento al manuale di garanzia incluso nella confezione,

oppure consultare la versione online accessibile mediante scansione del codice QR riportato nell'ultima pagina dello stesso manuale o accedendo al sito web **download.yeep.me**



Obrigado pela sua compra.  
Bem-vindo a yeep.me

PT

## Tabela de Conteúdo

<b>1. INSTRUÇÕES DE SEGURANÇA</b>	<b>96</b>
<b>2. CONTEÚDO E DADOS TÉCNICOS</b>	<b>100</b>
<b>3. UTILIZAÇÃO</b>	<b>101</b>
<b>4. MANUTENÇÃO E LIMPEZA</b>	<b>109</b>
<b>5. PERGUNTAS FREQUENTES (“FAQ”) E GARANTIA</b>	<b>114</b>

*Antes de utilizar o produto, leia atentamente as instruções de utilização. Elas ajudá-lo-ão a compreender, utilizar e manter este produto corretamente, e a conhecer o seu desempenho e características.*

*Guarde este manual para referência futura. Se ceder o produto a terceiros, entregue também este manual.*

# PT 1. INSTRUÇÕES DE SEGURANÇA

**1.** Este aparelho foi projetado para se deslocar de forma individual, destinando-se a adolescentes e adultos.

A utilização, limpeza, manutenção ou qualquer manipulação do aparelho não devem ser realizados por crianças menores de 12 anos.

Este aparelho pode ser utilizado por crianças com 12 anos de idade ou mais e por pessoas com capacidades físicas, sensoriais ou mentais reduzidas ou sem experiência ou conhecimento, se forem devidamente supervisionadas ou se receberam instruções relativas à utilização segura do aparelho e se os riscos envolvidos foram compreendidos. As crianças não devem brincar com o aparelho. A limpeza e a manutenção a cargo do utilizador não devem ser efetuadas por crianças sem supervisão. É da responsabilidade dos pais e nunca deve ser deixado sem vigilância por uma criança. O produto deve ser guardado fora do alcance das crianças.

O carregador pode ser utilizado por crianças com 8 anos ou mais e por pessoas com capacidades físicas, sensoriais ou mentais reduzidas ou sem experiência ou conhecimento, se forem devidamente supervisionadas ou se lhes tiverem sido dadas instruções sobre como utilizar o dispositivo em segurança e se os riscos envolvidos tiverem sido compreendidos. Certificar-se de que apenas o carregador fornecido com o produto é utilizado.

Não carregue outra pessoa, incluindo uma ou mais crianças ou bens. A ultrapassagem do limite de peso pode causar lesões e danos no equipamento. O peso do utilizador não significa que o seu tamanho seja adequado para manter o controlo do aparelho.

**2.** Trata-se de um aparelho de mobilidade individual. Não se trata de um aparelho projetado para competições, desportos radicais e jamais deverá ser usado em pistas de skate. Não deve utilizá-lo para subir ou descer escadas, dar saltos, superar obstáculos, realizar manobras ou atos perigosos. Este aparelho não é um brinquedo nem um acessório de fitness.

Este produto não foi projetado para uma utilização profissional ou comercial, como o aluguer, frota de veículos, viagens de negócios.

**3.** Este aparelho deve ser usado com cuidado em superfícies planas, limpas e secas, sem gravilha nem lubrificantes, pois o necessita de atrito entre as rodas e o solo para se mover para frente. Evite obstáculos, buracos, lombas e grelhas de esgoto que poderão causar acidentes. Reduza a velocidade nas lombas.

Mantenha-se afastado de outros utilizadores da estrada e obedeça às regras de segurança rodoviária. Não está imune aos riscos incorridos pelo comportamento de outros utilizadores. Antecipe os obstáculos e o tráfego adotando uma velocidade adaptada. A distância de travagem está relacionada com a sua velocidade; tenha



o cuidado de antecipar as distâncias de travagem em caso de chuva e/ou piso molhado. Evite manobras e travagens repentinas; o dispositivo pode derrapar, perder o equilíbrio ou mesmo cair, mesmo em superfícies lisas e planas. Deve manter-se sempre muito vigilante e ficar longe de peões e utilizadores da estrada que possam atravessar sem dar conta da sua presença. AVISO! Nunca utilize o produto fora dos espaços autorizados pela regulamentação.



**4.** Atenção! Este aparelho foi concebido para uma utilização no exterior. Cabe a si a responsabilidade de conhecer e respeitar os regulamentos em vigor para e no local da utilização, nas vias públicas ou privadas.

**5.** Realize um período de familiarização com o aparelho num local aberto e plano, sem muitos utilizadores à sua volta, tendo o cuidado de usar um capacete protetor. Ao deslocar-se com este aparelho, deve sempre usar calçado resistente e calças. Não opere este equipamento se estiver descalço ou a usar sandálias abertas. Evite usar roupas muito largas ou com cordões ou gravatas, lenços, etc., que possam ficar presos pela rotação da roda. Isso pode criar o risco de asfixia, queda e/ou colisão.

**6.** Não ande na chuva, na neve, em poças, na lama ou em qualquer outro ponto húmido com mais de 2 cm de água no solo, já que tal permitiria que a água se infiltrasse no interior do aparelho. Para a limpeza do aparelho, consulte os conselhos indicados na secção 4.3.

Não utilize este aparelho se a visibilidade for má. Se viajar à noite ou com um tempo escuro, é recomendável usar roupas ou equipamento refletor (por exemplo, um colete, uma braçadeira, ...). Para além desta recomendação, deve consultar as obrigações em vigor no local e no país em que utilizar o aparelho relativamente ao equipamento em questão.

**7.** Não utilize este aparelho se estiver sob a influência de álcool ou drogas. Para sua segurança, esse tipo de utilização é estritamente proibido.

**8.** Não deixe o produto ao alcance de qualquer pessoa que possa pô-lo em marcha sem a autorização do utilizador principal ou sem informação e conhecimento prévio dessas medidas/instruções de segurança e uso.

Se emprestar este aparelho a terceiros, certifique-se de que essa pessoa sabe usá-lo e explique todas as instruções de segurança ao novo utilizador. Deve lembrá-lo de que deverá obedecer às regras rodoviárias e usar os equipamentos de segurança adequados.

**9.** Todos os aparelhos de mobilidade estão sujeitos a restrições físicas devido à sua utilização, design e modo de utilização. Por esse motivo, é imperativo inspecionar o

aparelho antes de cada utilização e verificar o correto funcionamento de todos os dispositivos de segurança (travões, iluminação). Os vários pontos de verificação e manutenção a executar no seu aparelho são detalhados na secção 4.2.

Se notar qualquer peça solta, alerta de bateria fraca, pneus furados, desgaste excessivo, ruídos estranhos, mau funcionamento e qualquer outro item anormal, pare imediatamente de usar este aparelho e procure ajuda profissional.

**10. NÃO USE O APARELHO NEM CARREGUE A BATERIA NAS SEGUINTE CIRCUNSTÂNCIAS:**













- o produto está danificado;
- a bateria emite um odor e calor anómalos;
- Os comandos do travão ou outros dispositivos de travagem ou segurança (luzes) estão danificados.

Suspenda a utilização e não toque em nenhum líquido que emane do aparelho em caso de fuga. A bateria do aparelho não deve, em circunstância alguma, ser exposta a um calor excessivo.

**11.** A bateria não pode ser substituída pelo utilizador. Consulte o serviço de pós-venda do seu revendedor ou a marca para a realização de qualquer modificação/manutenção do aparelho.

**12.** Tanto a bateria como as pilhas devem ser eliminadas de forma adequada. Na impossibilidade de devolução do produto ao revendedor, coloque-as nas embalagens fornecidas para esse fim (consulte o suporte da marca para mais informações) de forma a proteger o ambiente.

**13.** Qualquer abertura do aparelho ou do produto pode traduzir-se numa modificação da segurança pela qual a marca não é responsável. Também é importante notar que esta abertura anula a garantia do referido aparelho ou produto. Se ainda deseja realizar reparações no seu aparelho ou produto, a marca declina qualquer responsabilidade pela fiabilidade da reparação e qualquer dano potencial a esta associado. Qualquer acidente que possa ocorrer após esta reparação não será da responsabilidade da marca. Em caso de dúvida ou necessidade de assistência, entre em contacto com um revendedor autorizado ou com o apoio ao cliente da marca.

Pictograma	Significado
	Leia sempre atentamente as instruções.
	Peso do produto por si só.
	Peso máximo para o utilizador do produto.
	Potência motora do dispositivo (em kW)
	Velocidade máxima do dispositivo (em km/h)
	O ponto de exclamação dentro de um triângulo equilátero destina-se a alertar o utilizador para a presença de importantes instruções de operação e manutenção (manutenção) no manual do utilizador.
	Esta unidade não deve entrar em contacto com água. Não armazenar a unidade num local húmido.
	O relâmpago com símbolo de ponta de seta dentro de um triângulo equilátero destina-se a alertar o utilizador para a presença de «tensão perigosa» dentro do recinto do produto, que pode ser de magnitude suficiente para constituir um risco de choque eléctrico.
	Este símbolo indica que este equipamento tem duplo isolamento eléctrico entre a tensão (perigosa) da fonte de alimentação e as partes acessíveis pelo utilizador.
	Cuidado! Deve ser usado equipamento de protecção, incluindo protecções de pulso, luvas, joelheiras, capacete e cotoveleiras.
	O equipamento eléctrico e electrónico deve ser classificado e eliminado separadamente. Não eliminar equipamentos eléctricos e electrónicos com resíduos domésticos normais e não seleccionados, mas levá-los para um centro de triagem selectiva.
	Esta marcação é utilizada na placa de identificação para indicar que o equipamento funciona apenas em corrente contínua ou para identificar os terminais correspondentes.
	Esta marcação é utilizada para identificar o dispositivo electrónico que compreende o transformador e o circuito electrónico, o qual converte a energia eléctrica em um ou mais conectores de saída.

## PT 2. CONTEÚDO E DADOS TÉCNICOS

### Esta embalagem contém:

- Bicicleta eléctrica yeep.me CARGO
- Ferramentas
- Carregador de corrente original
- Chave da fechadura da bateria
- Manual do utilizador
- Manual de garantia
- Declaração CE
- Carta de garantia **A CONSERVAR** (contém o número de série do aparelho e a sua data de fabrico, informações essenciais para a garantia do aparelho)

### Dados técnicos:

<b>Bateria :</b>	Lítio-ião 13Ah 36V
<b>Tempo de carregamento :</b>	6-8h
<b>Autonomia :</b>	70 km máximo com assistência*
<b>Velocidade :</b>	25 km/h*
<b>Motor :</b>	500W Nominal 48V
<b>Carregador :</b>	Entrada : 100-240V ~ 2A 50-60 Hz Saída : 42V 2A 84 W
<b>Peso máximo suportado :</b>	120 kg
<b>Peso do dispositivo :</b>	28.5 kg
<b>Dimensões do dispositivo :</b>	212x28x146cm
<b>Referência do modelo :</b>	BIGFOOT
<b>Referência do carregador :</b>	DPLC110V55

\* Em geral, a autonomia e velocidade são indicativas. Variam de acordo com o peso do utilizador e as condições de utilização (declive, temperatura externa, humidade, velocidade e carga do motor). As especificações estão sujeitas a alterações. Estas indicações de velocidade e autonomia não constituem um compromisso contratual por parte do revendedor ou da empresa CIBOX INTERACTIVE.

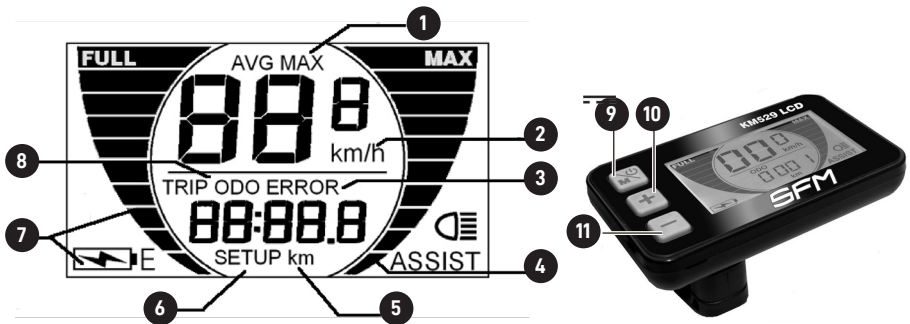
## 3. UTILIZAÇÃO

### 3.1. APRESENTAÇÃO DO APARELHO



(1). Manoplas (2). Travão de disco hidráulico dianteiro e traseiro (3). Sela (4). Luz de travagem (5). Descarrilhador, freio a disco traseiro (6). Motor (7). Bateria amovível (8). Luz frontal (9). Garfo dianteiro hidráulico (10). Travão de disco hidráulico dianteiro

#### PEDIDOS :



(1). Velocidade média / Velocidade máxima (km/h) (2). Velocidade (km/h) (3). Código de erro (4). Nível de assistência (5). Distância percorrida (6). Configuração (7). Nível de carga da bateria (8). Distância percorrida (TRIP) / Distância total (ODO) (9). Botão MODE/ligar/desligar (10). Botão + (11). - botão

#### Como utilizar :

- Prima o botão MODE (9) durante 2 segundos para ligar ou desligar o visor.
- Prima os botões MODE (9) e + (10) durante 2 segundos para alternar entre os ecrãs VELOCIDADE / VELOCIDADE MÉDIA / VELOCIDADE MÁXIMA.
- Prima o botão MODE (9) para alternar entre os ecrãs TRIP e ODO.
- Para repor a distância percorrida (TRIP), prima os botões MODE (9) e - (11) em simultâneo durante 2 segundos.

- Para ligar ou desligar os faróis, prima o botão + (10) durante 2 a 3 segundos. Aparecerá um indicador no canto inferior direito do ecrã para mostrar se os faróis estão ligados ou desligados.
- Quando a bateria está descarregada, um E pisca ao lado do símbolo da bateria (7). Deve então carregar imediatamente o seu dispositivo.
- Para alternar entre os modos de assistência, prima os botões + (10) e - (11) depois de ligar o ecrã. Pode seleccionar entre os 5 níveis de assistência disponíveis.

### **Modos de assistência:**

O dispositivo dispõe de 5 modos de velocidade. O sistema de assistência eléctrica é ativado de 1 a 1,5 voltas dos pedais.

0: sem assistência, este é o modo seleccionado quando se liga o visor.

1: A assistência eléctrica pára quando a velocidade atinge 10 km/h.

2: A assistência eléctrica pára quando a velocidade atinge 14km/h.

3: A assistência eléctrica pára quando a velocidade atinge os 18km/h.

4: a assistência eléctrica pára quando a velocidade atinge 22 km/h.

5: A assistência eléctrica pára quando a velocidade atinge 25 km/h.

### **Velocidades :**

O dispositivo está equipado com 7 velocidades.

Deve mudar para um número menor assim que o esforço se tornar importante. Inversamente, para evitar a sensação de pedalar «no vácuo», deve ser seleccionado um número mais alto.

Utilizar a alavanca de velocidades no guiador para mudar de velocidade.

### **Iluminação :**

O sistema de iluminação é uma característica de segurança da sua bicicleta, deve ser obrigatório na sua bicicleta. Verifique se o seu sistema de iluminação está a funcionar e se as suas baterias estão carregadas antes de pedalar.

### **Sino da porta :**

Uma campainha é instalada no seu guiador. A campainha é um dispositivo de segurança na sua bicicleta, tem de estar obrigatoriamente presente no seu guiador.

### **Travões :**

O punho direito activa o seu travão traseiro.

O manípulo esquerdo activa o travão dianteiro.

## **3.2. DESEMBALAMENTO E MONTAGEM DO APARELHO**

Para desembalar o produto, é aconselhável dispor de uma área livre suficientemente ampla para desembalar e preparar o aparelho. Retire o aparelho da caixa, tendo o cuidado de não se ferir nem de danificar outros produtos ou o espaço envolvente. Obtenha ajuda se o peso do produto for muito pesado para si (o peso está indicado

na embalagem).

O desembalamento e a montagem devem ser realizados por um adulto.

### **Montagem dos pedais :**

Utilizar as marcações R (direita) e L (esquerda) para os identificar.

1. Montar o pedal direito no braço direito da manivela. Apertar o pedal no sentido dos ponteiros do relógio utilizando a chave fornecida.
2. Em seguida, enroscar o pedal esquerdo no braço da manivela esquerdo no sentido contrário ao dos ponteiros do relógio.

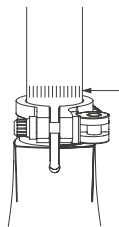
### **Montar o guiador :**

1. Orientar primeiro o guiador na direcção certa.
2. Apertar o parafuso de fixação na haste utilizando a chave fornecida.
3. Verificar se o guiador está correctamente orientado.

### **Montagem e ajuste da sela:**

Desaperte a porca no grampo do espigão do selim para poder mudar a altura do espigão do selim no quadro.

Seleccionar uma altura e apertar a porca do grampo do espigão do selim. Ao ajustar o selim à sua posição mais baixa, certificar-se de que o selim não toca em nenhum componente da bicicleta, tal como a tampa da bateria. Certificar-se também de não exceder a marca mínima de inserção do tubo do selim. Esta marca de inserção nunca deve ser visível quando se utiliza a bicicleta.



**IMPORTANTE :** Para determinar a altura do seu selim, sente-se na bicicleta e coloque um calcanhar no pedal na posição para baixo com a manivela paralela ao espigão do selim. Quando a sua perna estiver estendida, a altura do selim está correcta.

### Altura da sela e tamanho do utilizador recomendados:

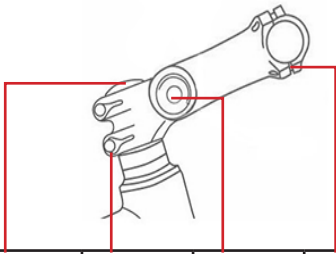
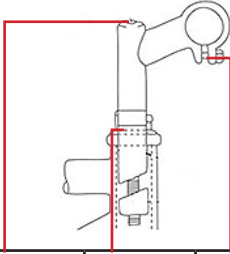
Dimensões das rodas	Altura máxima da sela	Altura mínima do selim	Tamanho de utilizador recomendado*
20"	96 cm	84 cm	165 - 190 cm

\* Tamanho para uma utilização «óptima» do dispositivo.

### Aperto recomendado para guiador, haste, selim, espigão de selim e componentes de rodas :

Para assegurar a fixação adequada do guiador, avanço, selim, espigão de selim e rodas, recomenda-se a utilização de chaves de aperto apropriadas e a aplicação de uma força de aperto de acordo com os binários de aperto específicos para cada um dos componentes dos seguintes diferentes modelos de bicicleta (em Nm):

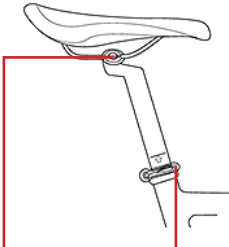
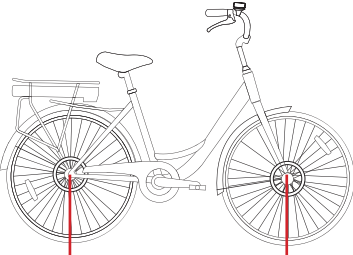
### Haste e guiador :

	MODELO com haste AHEADSET				MODELO com haste de êmbolo		
							
Modelo	Haste na cabeça da estrutura de parafuso vertical	Haste na cabeça da moldura (garfo)	Haste de Ajuste de Altura	Guiadores no tronco	Haste na cabeça da estrutura de parafuso vertical	Porca de haste na cabeça da estrutura (garfo)	Guiadores no tronco
yeep.me CARGO	5.9	5.9	15	3.2	/	/	/



**Cuidado:** A utilização de uma extensão aerodinâmica ou outra colocada no guidador pode ter uma influência negativa no tempo de resposta do cavaleiro durante as travagens e as curvas.

### Sela e rodas :

	SELA		RODAS	
				
Model	Sela e espigão do selim	Poste e tubo do assento (armação)	Roda traseira para emoldurar	Roda dianteira para a forquilha
yeep.me CARGO	22	bloqueio rápido	135	25

**Cuidado:** Sob certas condições, o controlador, o carregador, os discos mecânicos e algumas partes do produto podem atingir temperaturas elevadas. Portanto, evite o contacto ou proteja-se (luvas, protecções,...) antes de tocar nestas partes dentro de minutos após a utilização do produto. Não exponha o produto a temperaturas superiores a 50°C. Para além desta gama, a autonomia será afectada. Além disso, num ambiente confinado, as altas temperaturas afectarão os materiais compostos do produto.

### 3.3. CARGA IMEDIATA E INDICADOR DA BATERIA

Proceda ao carregamento da bateria antes da primeira utilização. Para tal, carregue este aparelho com a ajuda do carregador fornecido.



**Obrigatório:** todas as operações de carregamento têm obrigatoriamente de ser realizadas com o carregador original fornecido com o aparelho. Em caso de dúvida, perda ou não funcionamento, não carregue o aparelho com outro carregador. Deve obter um novo carregador junto do seu revendedor. Encontrará o endereço de e-mail de contacto do suporte na última página do manual de garantia.

Em seguida, verifique o nível de carga da bateria antes da utilização, consultando o indicador de nível de bateria **(19)**.

Há duas maneiras de recarregar a bateria:

1. Retirar a bateria para a recarregar.
2. Recarregar a bateria directamente do conjunto de baterias ligado à bicicleta.

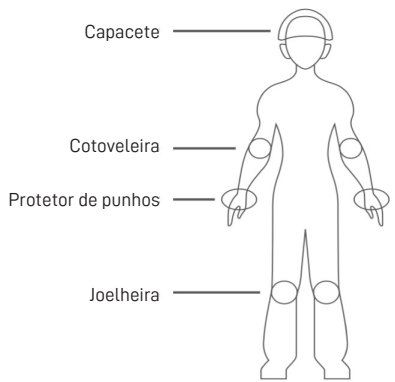
Em qualquer caso, é aconselhável fazer as ligações na seguinte ordem:

1. Ligar primeiro a ficha de saída do carregador à bateria, depois ligar a ficha de entrada do carregador à tomada eléctrica doméstica.
2. Desligar primeiro a ficha de entrada da tomada eléctrica da casa, depois a ficha de saída da bateria.

Nota: Recomendamos a recarga da bateria após cada utilização e pelo menos uma vez por mês. A bateria deve ser recarregada dentro de casa.

### 3.4. PREPARAÇÃO

Para sua segurança, recomendamos a utilização deste aparelho em condições confortáveis com equipamentos de protecção como capacete, luvas e protecção adequada para as articulações (joelheiras, cotoveleiras). Para a sua segurança e a de outras pessoas, deve conduzir e utilizar o aparelho com sapatos fechados e de preferência rasos, para ter boa aderência e estabilidade.



### 3.5. COMO USAR O APARELHO (LER ANTES DA PRIMEIRA UTILIZAÇÃO)

#### ADVERTÊNCIA HELMET

Aconselhamo-lo vivamente a equipar-se antes de andar de bicicleta com pelo menos um capacete, que deve cumprir os regulamentos sobre equipamento de protecção pessoal e deve ser afixado.

**ADVERTÊNCIA:** O utilizador deve cumprir os requisitos dos regulamentos nacionais ao utilizar a bicicleta nas vias públicas, incluindo o cumprimento do Código da Estrada.

**ADVERTÊNCIA:** O utilizador é obrigado a instalar dispositivos de iluminação, sinalização e aviso na bicicleta.

- É proibido andar na calçada, caso contrário, a bicicleta deve ser segurada na mão.
- Não usar auriculares ou qualquer dispositivo que possa emitir som, ou utilizar um telefone de mão.

O uso de um colete retrorreflector certificado é obrigatório para todos os ciclistas e passageiros que circulem fora da cidade durante a noite ou quando a visibilidade for fraca. O fabricante declina qualquer responsabilidade se o condutor da bicicleta não cumprir os regulamentos em vigor.

### 3.6. PRIMEIRA UTILIZAÇÃO

Antes de cada utilização, verifique por favor o estado geral da sua bicicleta.

O bom estado das peças de desgaste, tais como travões, pneus, direcção, transmissão, jantes, etc., deve ser verificado pelo utilizador antes de cada utilização e regularmente verificado, reparado e ajustado por um mecânico qualificado.

Certifique-se de que faz a manutenção adequada da sua bicicleta, de acordo com as instruções do manual do utilizador.

A gama de temperaturas ideal para a utilização de bicicletas eléctricas situa-se entre 5 e 25°C. A utilização da sua bicicleta eléctrica a baixas temperaturas, inferiores a 5°C, não danifica a sua bateria, mas pode reduzir o seu desempenho.

O aparelho emite uma pressão sonora média inferior a 70dB nos ouvidos do utilizador.

**ADVERTÊNCIA:** Como qualquer componente mecânico, uma bicicleta está sujeita a grande tensão e desgaste. Diferentes materiais e componentes podem reagir de forma diferente ao desgaste e à fadiga. Se um componente tiver excedido a sua expectativa de vida útil, pode romper-se num único golpe, causando possivelmente lesões ao ciclista. Rachaduras, arranhões e descoloração em áreas de grande tensão indicam que o componente excedeu a sua expectativa de vida útil e deve ser substituído.

1. Verificar se a bateria está bem colocada e trancada com a chave na posição «LOCK».
2. Ligar a unidade premindo o botão ON/OFF no painel de controlo.
3. Comece a pedalar como uma bicicleta normal.

### CÓDIGOS DE ERRO DO ECRÃ

Nº	Significado
21	Corrente anormal
22	Acelerador anormal
23	Problema de fase do motor
24	Defeito de Hall do motor
25	Falha no travão
30	Comunicação anormal

### 3.7. COMO REMOVER E SUBSTITUIR A BATERIA

Rode a chave para a direita e depois use a pega para desbloquear a bateria e retirá-la. Para substituir a bateria, faça o inverso.

### 3.8. ASSISTÊNCIA, ESTACIONAMENTO E AUTONOMIA

#### **Assistência à pedalagem :**

A bicicleta está equipada com uma assistência de pedalagem eléctrica. O motor, localizado no cubo da roda traseira, arranca assim que o utilizador começa a pedalar e completa os seus esforços. O funcionamento da assistência eléctrica depende da velocidade dos pedais e da velocidade da bicicleta. Conforme estipulado pela actual legislação europeia, o motor de 250W pára a 25 km/h e desliga-se assim que o utilizador deixa de pedalar.

Para aumentar ou diminuir a potência do motor e portanto da assistência eléctrica, pressionar os botões no painel de controlo.

#### **Estacionamento :**

- Desligar a alimentação pressionando o botão ON/OFF no painel de controlo.
- Bloqueie a bateria com a tecla ou retire-a e leve-a consigo quando a unidade não estiver a ser utilizada.
- É aconselhável fixar a unidade quando não estiver a ser utilizada para evitar o roubo.
- Nunca estacionar a unidade no exterior quando chove ou neva. Prefira uma garagem que esteja seca e bem ventilada. Após uma viagem com chuva ou neve, leve a unidade para um local abrigado e limpe qualquer humidade com uma toalha limpa e seca.

#### **Quilometragem/Autonomia :**

Muitos factores afectam a taxa de utilização de energia eléctrica e o alcance, tal como descrito na Parte 4.

A fim de maximizar o alcance da sua unidade, é importante ter em conta os seguintes pontos:

- Carregar totalmente a bateria antes de uma longa viagem.
- A autonomia anunciada é medida em condições óptimas de utilização. Peso do utilizador, velocidade de condução, estradas acidentadas e terreno acidentado, pressão dos pneus, vento de proa, mudanças frequentes de velocidade e travagem (na cidade) e temperatura exterior são todos factores que afectam o alcance do dispositivo.
- Conduzir com pneus devidamente inflados e uma unidade limpa e bem lubrificada poupa energia.
- Verifique regularmente a regulação dos travões e certifique-se de que ambas as rodas se movimentam livremente (que os travões não esfregam a roda enquanto se conduz).
- A capacidade da bateria diminui à medida que envelhece.

### 3.9. LIMITES DE VELOCIDADE

O produto é concebido para viajar a uma velocidade máxima de 25 km/h. No entanto, certifique-se de que observa as restrições à utilização do seu produto em conformidade com os regulamentos de segurança rodoviária aplicáveis no seu país.

### 3.10. PESO DO CONDUTOR

O peso do condutor não deve exceder os 120 kg.

Nota: A não observância deste limite de peso aumenta o risco de queda ou danos ao produto.

## 4. MANUTENÇÃO E LIMPEZA

### 4.1. BATERIA

Uma bateria de lítio perde capacidade ao longo dos ciclos de carga e descarga durante a sua vida útil. A noção de "ciclo de vida" existe nas baterias de lítio (aproximadamente 300 numa trotinete, por exemplo). Ou seja, a partir de 300 ciclos de carga e descarga COMPLETOS, a bateria começará a perder a sua capacidade (exemplo dos smartphones).

Esta perda parcial de capacidade não impede que a bateria funcione, mas afeta o seu desempenho e, nomeadamente, a sua autonomia.

É imperativo que o dispositivo seja utilizado e sobretudo que a sua bateria seja carregada pelo menos uma vez por mês: com efeito, uma bateria de lítio descarrega-se sozinha, mesmo quando o produto se encontra desligado. Por este motivo, uma bateria que não seja recarregada durante várias semanas ou menos poderá perder capacidade e tornar-se impossível a sua recarga.

Além disso, é possível recarregar uma bateria de lítio após cada utilização porque não há efeito de memória.

**ATENÇÃO:** a bateria deve ser carregada apenas em espaços interiores ou numa sala protegida de intempéries (chuva, neve, calor excessivo, etc.)

**A fim de preservar o melhor possível a bateria do seu dispositivo, eis alguns avisos e conselhos de utilização:**

- Não desligue o carregador até que a bateria esteja totalmente carregada.
- Armazene o produto com a bateria num local fresco (temperatura > 0°) o mais próximo possível de 15 °C. Atenção, pois o calor excessivo também danifica a bateria.
- Evite descargas profundas.
- Evite as recargas a quente. Deixe o dispositivo descansar durante 15 minutos a 1 hora após a utilização antes de voltar a carregá-lo.
- Evite carregamentos excessivos. Não deixe o carregador ligado durante mais de 24 horas, pois irá aquecer desnecessariamente.

**Observação:** recomendamos o carregamento da bateria em caso de não utilização,

após cada utilização e pelo menos uma vez por mês.

**Importante:** quando restar apenas um quarto da bateria, se a sua viagem até ao ponto de carregamento não for curto, recomendamos a troca para o modo económico.

**Recomendação:** ao conduzir, o indicador do nível da bateria no ecrã pode diminuir instantaneamente dependendo do seu modo de condução (uso intenso do acelerador, condução em subidas, temperatura exterior inferior a 10 ° C ...). Saiba que o nível real da bateria será exibido com maior precisão quando o aparelho estiver parado.

## 4.2. INSPEÇÃO E MANUTENÇÃO DO SEU APARELHO

O seu produto necessita de uma inspeção e manutenção de rotina. Este capítulo descreve as etapas de manutenção e de funcionamento. Antes de realizar as seguintes operações, certifique-se de que a alimentação se encontra desligada e que o cabo de carregamento se encontra desligado. Antes de cada utilização do aparelho, verifique cuidadosamente:

- o aperto dos punhos;
  - o bom funcionamento das rodas levantando o aparelho e fazendo-as girar vazias;
  - a coluna, o tubo de direção, nada deve impedi-las de girar. Todo o sistema de direção deve ser ajustado corretamente e todos os elementos de ligação e parafusos apertados e em boas condições;
  - aperte os parafusos da roda dianteira, roda traseira, amortecedores, capô e aperte se necessário. As vibrações causadas pelo funcionamento do aparelho estão na origem dessas necessidades de ajuste;
  - o desgaste dos pneus. A pressão dos pneus se o aparelho estiver equipado com rodas insufláveis e insuflar assim que necessário com a ajuda de uma bomba de bicicleta ou equivalente;
  - Travões, guarnições dos tambores, pastilhas dos travões, travão de pé dependendo do equipamento do aparelho. Se o aparelho estiver equipado com travões mecânicos (disco, tambor, pedal...), certifique-se de que não estão em atrito por tensão de cabos ou outro problema, pois isso causaria uma desaceleração, impedindo a máquina de circular normalmente. Além disso, o aquecimento dos travões pode afetar a sua eficiência.
  - o bom funcionamento do travão eletrónico, se o aparelho estiver equipado com um. Se após as várias operações de reaperto, perceber que há uma folga que pode afetar uma condução segura, se surgir um ruído invulgar ou se for visível um defeito de fluidez for visível, pare de utilizar o aparelho e entre em contacto com o revendedor para obter mais informações ou para agendar uma intervenção.
- Se o produto, um componente ou a bateria estiverem deteriorados, contacte um centro de assistência autorizado para reparação ou reciclagem do seu produto.

### MANUTENÇÃO E PEÇAS SOBRESSALENTES :

A sua bicicleta requer manutenção regular para a sua segurança mas também para aumentar o seu tempo de vida útil. É importante verificar periodicamente os componentes mecânicos para garantir que as peças gastas ou desgastadas sejam

substituídas, se necessário.

A bateria deve ser removida antes de cada operação de manutenção.

**ADVERTÊNCIA:** Ao substituir componentes é importante utilizar peças originais para manter o desempenho e a fiabilidade da bicicleta. Apenas as peças do fabricante são consideradas peças originais.

**ADVERTÊNCIA:** É da responsabilidade do utilizador em caso de compra e utilização de peças falsas (falsificadas) que subsequentemente causem danos ao produto, pessoa ou ambiente.

Certifique-se de utilizar peças sobressalentes adequadas para pneus, câmaras-de-ar, elementos de transmissão e vários componentes do sistema de travagem. Em caso de dúvidas, queira contactar o departamento de assistência ou o seu revendedor. O fabricante não pode ser responsabilizado por uso indevido ou instalação incorrecta.

**AVISO 1:** Como todos os componentes mecânicos, a EPAC está sujeita a desgaste e tensão elevada. Diferentes materiais e componentes podem reagir ao desgaste ou à fadiga sob tensão de diferentes maneiras. Se a vida nominal de um componente tiver sido excedida, pode falhar repentinamente, resultando em lesões para o operador. Qualquer forma de fissura, arranhão ou mudança de cor nas áreas de tensão elevada indica que a vida útil do componente foi atingida e deve ser substituída.

**AVISO 2:** Para componentes compostos, os danos por impacto podem ser invisíveis para o utilizador, o fabricante deve explicar as consequências dos danos por impacto e que, em caso de impacto, os componentes compostos devem ser devolvidos ao fabricante para inspecção ou destruídos e substituídos.

## LUBRIFICAÇÃO

A lubrificação é essencial nos vários componentes que estão em movimento para evitar a corrosão. Olear regularmente a corrente, escovar as rodas dentadas e os anéis da corrente, introduzir periodicamente algumas gotas de óleo nas carcaças dos travões e dos desviadores de cabos.

É aconselhável limpar e secar primeiro os componentes a serem lubrificados. É aconselhável utilizar óleo especificamente para a corrente e para o desviador. Deve ser utilizada massa lubrificante para os outros componentes.

## PNEUMÁTICA

Recomenda-se vivamente a verificação periódica da pressão dos pneus. Conduzir com pneus sub ou sobre inflados pode prejudicar o desempenho, causar desgaste prematuro, causar danos nas jantes, reduzir o alcance ou aumentar o risco de acidentes. Se for visível um desgaste grave ou um entalhe em qualquer pneu, substitua-o antes de conduzir a bicicleta.

**IMPORTANTE:** O fabricante indica uma gama de pressão na parede lateral do pneu. A pressão deve ser ajustada de acordo com o peso do utilizador.

## TRAVÕES

Antes de cada utilização, verificar se os travões dianteiros e traseiros estão em perfeito estado de funcionamento. Verifique regularmente os travões para evitar acidentes devido a avarias nos travões.

A alavanca dos travões não deve entrar em contacto com o guiador e as bainhas não devem estar num ângulo fechado, de modo a que os cabos deslizem com o mínimo de atrito. Os cabos danificados, desgastados e enferrujados devem ser trocados imediatamente.

**ATENÇÃO:** Em tempo de chuva ou de chuva, as distâncias de travagem são aumentadas.

## JANTES

Verificar o estado da jante e limpá-la se estiver suja para evitar deterioração prematura. Não montar com um aro danificado ou rachado que possa causar um acidente.

## CABOS

Certificar-se de que as portas dos cabos não estão soltas ou quebradas.

## PARAFUSO

Verificar os parafusos nas partes principais, e certificar-se de os apertar regularmente. Vibrações da unidade durante a condução provocam vibrações que soltam os parafusos.

## BATERIA

Para sua segurança e para otimizar o funcionamento da bateria, guarde sempre a bateria numa área seca e bem ventilada, longe da humidade. Não deve ser sujeita a pancadas ou ter cabos defeituosos.

**ADVERTÊNCIA:** Utilize apenas a bateria fornecida. Não utilizar ou carregar baterias não recarregáveis.

## CARREGADOR

Certificar-se de que o cabo carregador não é danificado ou que os fios são expostos para evitar curto-circuitos. As tomadas de entrada e saída não devem ser danificadas ou deformadas.

**ADVERTÊNCIA:** Certifique-se de que utiliza apenas o carregador fornecido com o produto.

## PORTA-BAGAGENS

Se a sua bicicleta for vendida com um porta-bagagens. Já está fixada por cima da sua roda traseira. As fixações devem ser apertadas e verificadas com frequência.

O seu porta-bagagens é concebido para uma carga máxima não superior a 25kg. É possível fixar uma cadeira de criança.



Ao utilizar um selim carregado com mola, estes devem ser protegidos para evitar o aprisionamento dos dedos. O seu porta-bagagens não está concebido para rebocar um reboque.

Por razões de segurança, a bagagem só deve ser transportada no porta-bagagens. Quando o porta-bagagens é carregado, o comportamento da sua bicicleta pode mudar. A bagagem não deve obscurecer os reflectores e luzes da sua bicicleta.

Distribua a carga da bagagem de forma uniforme para promover a estabilidade da sua bicicleta. Toda a bagagem deve ser fixada com segurança ao porta-bagagens, antes de cada utilização é importante verificar se nada pode ficar preso na roda traseira da bicicleta.

Não ajuste o porta-bagagens arbitrariamente, por favor peça conselhos ao seu concessionário sobre como ajustá-lo se necessário. Não modifique o porta-bagagens, qualquer modificação do porta-bagagens por parte do utilizador invalidará estas instruções.

### **AVISOS SOBRE OS RISCOS ASSOCIADOS À MONTAGEM INCORRECTA OU AJUSTE DOS VÁRIOS COMPONENTES DA BICICLETA:**

O não cumprimento destas instruções pode resultar no uso incorrecto da sua bicicleta, no desgaste prematuro de certos componentes que podem levar a uma queda e/ou acidente.

#### **4.3. LIMPEZA DO SEU APARELHO**

Siga estas orientações e precauções para proceder à limpeza do aparelho:

- Antes da limpeza, desligar todos os cabos de carregamento do dispositivo.
- nunca o mergulhe em água;
- nunca utilize uma máquina de alta pressão, jato de água ou qualquer outro dispositivo e método de lavagem que permita que a água penetre no interior do aparelho;
- limpe o aparelho com uma esponja levemente humedecida ou pano macio, evitando os conectores e botões e tendo o cuidado de não permitir a entrada de água nas tomadas, circuitos ou interior do produto.
- não coloque água ou produtos de limpeza líquidos diretamente no produto para limpá-lo;
- Não utilize produtos abrasivos ou solventes que possam danificar a pintura do dispositivo.
- Tenha cuidado ao limpar e enxugar as peças de plástico.
- Não utilize produtos abrasivos ou solventes para limpar peças metálicas ou de plástico.

#### **4.4. GUARDAR O SEU APARELHO**

- Recarregue completamente o seu produto antes de armazená-lo.
- Guarde o seu dispositivo dentro de casa, num local limpo e seco, com uma temperatura ambiente entre 0 e 40 °C.

## 5. PERGUNTAS FREQUENTES (“FAQ”) E GARANTIA

### 5.1. PERGUNTAS FREQUENTES

#### **O seu dispositivo não se liga**

Verifique se o botão LIGAR/DESLIGAR não está danificado e recarregue o dispositivo antes de tentar novamente.

#### **O seu aparelho não carrega**

Verifique se as ligações do produto e do carregador original não estão danificados.

Para identificar se o carregador ou dispositivo está defeituoso, verifique se o indicador de carga do carregador está aceso corretamente. Quando o carregador está ligado à rede elétrica e ao produto, a luz indicadora pode ser:

- **VERMELHO:** sem piscar (significa que o aparelho está a carregar)
- **VERDE:** significa que o aparelho está carregado.
- **VERMELHO – VERDE:** a piscar de forma alternada. Isso pode acontecer quando a bateria está muito fraca. Aguarde 15 minutos e mantenha-se por perto. Se a luz ficar vermelha, o carregamento normal foi iniciado.

Se o LED continuar a piscar, existe um problema com o carregador ou com o produto (bateria, conector, etc.).

Se o problema persistir, entre em contacto com um centro autorizado para proceder à reparação.

#### **Se o aparelho funcionar de forma irregular:**

Tal pode acontecer se exigir muito do motor quando a bateria não estiver totalmente carregada. Em seguida, é necessário utilizar o acelerador de forma mais ligeira e, sobretudo, verificar se a bateria está bem carregada.

### 5.2. GARANTIA

Para todas as informações sobre as condições de garantia e limites de responsabilidade, consulte o manual de garantia fornecido ou consulte-o online usando o código QR na última página ou online em **[download.yeep.me](https://download.yeep.me)**





Dank u voor uw aankoop.  
Welkom bij yeep.me

NL

## Inhoud

<b>1. VEILIGHEIDSINSTRUCTIES</b>	<b>118</b>
<b>2. INHOUD EN TECHNISCHE GEGEVENS</b>	<b>122</b>
<b>3. GEBRUIK</b>	<b>123</b>
<b>4. ONDERHOUD EN REINIGING</b>	<b>132</b>
<b>5. FAQ &amp; GARANTIE</b>	<b>137</b>

*Lees de gebruiksaanwijzing zorgvuldig door voordat u het product gebruikt. Deze zal u helpen dit product en de prestaties en functionaliteit correct te begrijpen, te gebruiken en te onderhouden.*

*Bewaar deze handleiding voor toekomstig gebruik. Als u het product doorgeeft, zorg er dan voor dat u de handleiding ook doorgeeft.*

# 1. VEILIGHEIDSINSTRUCTIES

**1.** Dit apparaat is ontworpen om zich individueel te verplaatsen, voor adolescenten en volwassenen.

Gebruik, reiniging, onderhoud of om het even welke handeling aan het apparaat mogen niet worden uitgevoerd door kinderen jonger dan 12 jaar.

Dit apparaat kan worden gebruikt door kinderen van 12 jaar of ouder en door personen met verminderde fysieke, sensorische of mentale capaciteiten of zonder ervaring of kennis, als ze goed worden begeleid of als ze instructies hebben gekregen over het veilige gebruik van het apparaat en als de mogelijke risico's werden begrepen. Kinderen mogen niet met het apparaat spelen. Reiniging en onderhoud door de gebruiker mogen niet door kinderen zonder toezicht worden uitgevoerd. Het is de verantwoordelijkheid van de ouders en men mag een kind nooit zonder toezicht achterlaten bij het gebruik van dit apparaat. Het product moet buiten het bereik van kinderen worden bewaard.

De oplader mag worden gebruikt door kinderen van 8 jaar of ouder en door personen met beperkte fysieke, zintuiglijke of mentale vermogens of zonder ervaring of kennis, indien zij onder toezicht staan of instructies hebben gekregen over hoe het apparaat veilig kan worden gebruikt en indien de risico's zijn begrepen. Zorg ervoor dat alleen de bij het product geleverde oplader wordt gebruikt.

Vervoer geen andere persoon, inclusief een of meerdere kinderen of eigendommen. Het overschrijden van de gewichtslimiet kan letsel en schade aan het apparaat veroorzaken. Het gewicht van de gebruiker betekent niet dat zijn grootte geschikt is om de controle over het apparaat te behouden.

**2.** Het is een apparaat voor individuele verplaatsing. Het is dus geen apparaat dat is ontworpen voor wedstrijden, extreme sporten en het mag nooit in een skatepark worden gebruikt. U mag het niet gebruiken om trappen op of af te rijden, sprongen te maken, obstakels te overwinnen, trucs uit te voeren of gevaarlijke handelingen te verrichten. Dit apparaat is geen speelgoed of fitnessaccessoire.

Dit product is niet ontworpen voor gebruik voor professionele of commerciële doeleinden, zoals: verhuur, een wagenpark, zakenreizen.

**3.** Dit apparaat moet met de nodige voorzichtigheid worden gebruikt op een vlak, schoon en droog oppervlak dat vrij is van grind en vet, aangezien het apparaat wrijving tussen de wielen en de grond nodig heeft om vooruit te komen. Vermijd obstakels, gaten, hobbels en roosters van riolen die ongevallen kunnen veroorzaken. Vertraag op de verkeersdrempels.

Houd afstand van andere weggebruikers en houd u aan de verkeersregels. U bent niet beschermd tegen de risico's die het gedrag van andere gebruikers met zich meebrengt.

Anticipeer op obstakels en het verkeer met een gepaste snelheid. De remafstand hangt samen met uw snelheid, let op de remafstanden bij nat weer en/of natte wegen. Vermijd plotselinge manoeuvres en plots remmen; het apparaat kan uitglijden, het evenwicht verliezen of zelfs vallen, zelfs op een gladde, vlakke ondergrond. U moet altijd zeer waakzaam zijn en uit de buurt blijven van voetgangers en weggebruikers die mogelijk oversteken zonder u gezien te hebben. **WAARSCHUWING!** Gebruik het product uitsluitend in ruimtes die door de regelgeving zijn toegestaan.



**4.** Let op! Dit apparaat is ontworpen voor gebruik buitenshuis. Het is uw verantwoordelijkheid om de geldende voorschriften voor en op de plaats van gebruik op openbare of particuliere wegen te kennen en na te leven.

**5.** Voer de leerperiode van het apparaat uit op een open en vlakke plaats zonder al te veel gebruikers om u heen en zorg ervoor dat u een beschermende helm draagt. Als u zich met dit apparaat verplaatst, dient u altijd stevige schoenen en een broek te dragen. Gebruik dit apparaat niet met blote voeten of met open sandalen. Draag geen kleding die te los zit of met koorden of hangende stropdassen, sjaals, enz., die zouden kunnen worden gegrepen door de rotatie van het wiel. Dit kan het risico op verstikking, vallen en/of botsen met zich meebrengen.

**6.** Rijd niet in de regen, in de sneeuw, in plassen, in de modder of op een andere natte ondergrond met meer dan 2 cm water op de grond waardoor het water naar binnen kan infiltreren het apparaat. Volg de instructies in paragraaf 4.3 om uw apparaat te reinigen.

Gebruik dit apparaat niet bij slecht zicht. Als u 's nachts of bij donker weer rijdt, is het raadzaam om retro-reflecterende kleding of uitrusting te dragen (bijvoorbeeld een vest, een armband, ...). Naast deze aanbeveling dient u de verplichtingen te raadplegen die van kracht zijn in de plaats en het land van gebruik met betrekking tot de apparatuur.

**7.** Gebruik dit apparaat niet als u onder invloed bent van alcohol of drugs. Voor uw veiligheid is dergelijk gebruik ten strengste verboden.

**8.** Laat het product niet achter binnen het bereik van iemand die het product kan starten zonder toestemming van de hoofdgebruiker of zonder informatie en voorkennis van deze maatregelen/instructies aangaande veiligheid en gebruik.

Als u dit apparaat aan iemand uitleent, zorg er dan voor dat deze persoon weet hoe hij het moet gebruiken en leg al deze veiligheidsinstructies uit. U moet hem eraan herinneren zich aan de verkeersregels te houden en geschikte veiligheidsuitrusting te dragen.

**9.** Een mobiliteitshulpmiddel is onderhevig aan fysieke beperkingen door het gebruik, het ontwerp en de gebruikswijze. Daarom is het absoluut noodzakelijk om het apparaat voor elk gebruik te inspecteren en de correcte werking van alle veiligheidsvoorzieningen (remmen, verlichting) te controleren. De verschillende controlepunten en het onderhoud dat aan uw apparaat moet worden uitgevoerd, worden beschreven in paragraaf 4.2.

Als u losse onderdelen, waarschuwingen voor een laag accuniveau, lekke banden, overmatige slijtage, vreemde geluiden, defecten of enig ander abnormaal element opmerkt, stop dan onmiddellijk met rijden met dit apparaat en vraag hulp aan een professional.

**10. GEBRUIK HET APPARAAT NIET EN LAAD DE ACCU NIET OP ONDER DE VOLGENDE OMSTANDIGHEDEN:**

- Het product is beschadigd.
  - De accu geeft een abnormale geur en warmte af.
  - De remhendels, andere rem- of veiligheidsvoorzieningen (lichten) zijn beschadigd.
- Stop met het gebruik en raak geen vloeistof aan die uit het apparaat komt in geval van een lekkage. De accu van het apparaat mag nooit worden blootgesteld aan overmatige hitte.

**11.** De accu mag niet door de gebruiker worden vervangen. Raadpleeg de klantendienst van uw dealer of het merk voor elke wijziging/onderhoud van het apparaat.

**12.** Zowel de accu als de batterijen moeten op de juiste manier worden afgevoerd. Als het niet lukt om uw product terug te sturen naar uw dealer, plaats het dan in daarvoor bestemde containers (raadpleeg de klantendienst van het merk voor meer informatie) om het milieu te beschermen.

**13.** Elke opening van het apparaat of het product kan een wijziging van de veiligheid veroorzaken waarvoor het merk niet verantwoordelijk is. Het is ook belangrijk op te merken dat deze opening de garantie van genoemd apparaat of product ongeldig maakt. Als u toch reparaties aan uw apparaat of product wilt uitvoeren, wijst het merk alle verantwoordelijkheid af voor de betrouwbaarheid van de reparatie en van de eventuele schade die met deze reparatie gepaard gaat. Elk ongeval dat zich zou kunnen voordoen na deze reparatie valt niet onder de verantwoordelijkheid van het merk. Neem bij twijfel of als u hulp nodig heeft contact op met een geautoriseerde dealer of de klantenservice van het merk.



Pictogram	Betekenis
	Lees de instructies altijd zorgvuldig.
	Gewicht van het product alleen.
	Maximumgewicht voor de gebruiker van het product.
	Motorvermogen van het apparaat (in kW)
	Maximalsnelheid van het toestel (in km/h)
	Het uitroepteken in een gelijkzijdige driehoek is bedoeld om de gebruiker te wijzen op de aanwezigheid van belangrijke bedienings- en onderhoudsinstructies (service) in de gebruikershandleiding.
	Dit toestel mag niet in contact komen met water. Bewaar het toestel niet op een natte plaats.
	De bliksemschicht met pijlpunt in een gelijkzijdige driehoek is bedoeld om de gebruiker te waarschuwen voor de aanwezigheid van «gevaarlijke spanning» in de behuizing van het product, die voldoende hoog kan zijn om een risico van elektrische schokken te vormen.
	Dit symbool geeft aan dat dit apparaat een dubbele elektrische scheiding heeft tussen de (gevaarlijke) spanning van de stroombron en de delen die toegankelijk zijn voor de gebruiker.
	Voorzichtig! Het dragen van beschermende uitrusting, zoals polsbeschermers, handschoenen, kniebeschermers, helm en elleboogbeschermers, is verplicht.
	Elektrische en elektronische apparatuur moet apart worden gesorteerd en afgevoerd. Gooi elektrische en elektronische apparatuur niet weg met het gewone, ongesorteerde huisvuil, maar breng het naar een selectief sorteercentrum.
	Deze markering wordt op het typeplaatje gebruikt om aan te geven dat de apparatuur uitsluitend op gelijkstroom werkt of om de overeenkomstige aansluitklemmen te identificeren.
	Deze markering wordt gebruikt ter identificatie van het elektronische apparaat dat bestaat uit de transformator en de elektronische schakeling, waarmee elektrische energie wordt omgezet in een of meer uitgangconnectoren.

## NL 2. INHOUD EN TECHNISCHE GEGEVENS

### Dit pakket bevat:

yeepee.me CARGO elektrische fiets

Gereedschap

Originele netlader

Batterij slot sleutel

Gebruiksaanwijzing

Garantie handleiding

CE-verklaring

Garantiekaart **TER BEPERKING** (deze bevat het serienummer en de fabricagedatum van het apparaat, essentiële informatie voor de garantie)

### Technische specificaties:

<b>Batterij :</b>	Lithium-ion 13Ah 36V
<b>Opladtid :</b>	6-8h
<b>Autonomie :</b>	70 km max met assistentie*
<b>Snelheid :</b>	25 km/h*
<b>Motor :</b>	500W Nominal 48V
<b>Lader :</b>	Ingang : 100-240V ~ 2A 50-60 Hz Uitgang : 54.6V === 2A 109.2 W
<b>Maximaal ondersteund gewicht :</b>	120 kg
<b>Gewicht van het apparaat :</b>	28.5 kg
<b>Afmetingen van het apparaat :</b>	212x28x146cm
<b>Referentie model :</b>	BIGFOOT
<b>Referentie lader :</b>	DPLC110V55

\* Over het algemeen zijn autonomie en snelheid gegevens voor informatieve doeleinden. Ze variëren naargelang het gewicht van de gebruiker en de gebruiksomstandigheden (helling, buitentemperatuur, vochtigheid, motortoerental en belasting). De specificaties zijn onderhevig aan wijzigingen. Deze indicaties aangaande snelheid en autonomie vormen geen contractuele verbintenis vanwege de dealer of het bedrijf CIBOX INTERACTIVE.

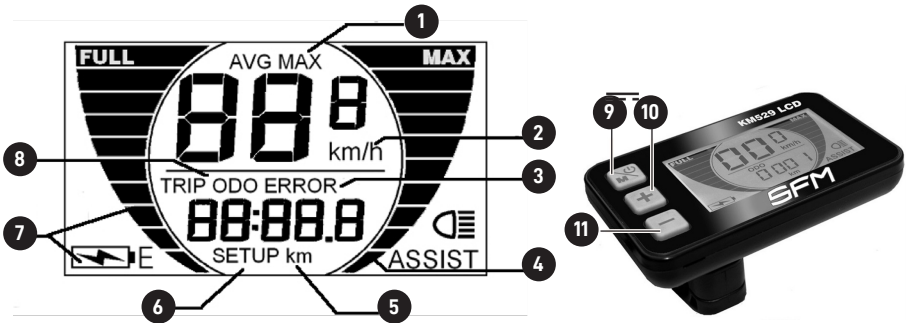
## 3. GEBRUIK

### 3.1. OVERZICHT VAN HET APPARAAT



(1). Display (2). Hydraulische schijfrem voor en achter (3). Zadel (4). Remlicht (5). Derailleur, schijfrem achter (6). Motor (7). Afneembare accu (8). Voorlicht (9). Hydraulische voorvork (10). Hydraulische schijfrem voor

#### ORDERS :



(1). Gemiddelde snelheid / Max snelheid (km/u) (2). Snelheid (km/u) (3). Foutcode (4). Ondersteuningsniveau (5). Afgelegde afstand (6). Setup (7). Laadniveau batterij (8). Afgelegde afstand (TRIP) / Totale afstand (ODO) (9). Knop MODE/aan/uit (10). + knop (11). - knop

#### Gebruik :

- Druk de MODE-knop (9) 2 seconden in om het display aan of uit te zetten.
- Druk de knoppen MODE (9) en + (10) 2 seconden in om af te wisselen tussen de weergaven SPEED / AVERAGE SPEED / MAX SPEED.
- Druk op MODE (9) om af te wisselen tussen de displays TRIP en ODO.
- Om de afgelegde afstand (TRIP) te resetten, drukt u de knoppen MODE (9) en - (11) tegelijkertijd

2 seconden in.

- Om de koplampen aan of uit te zetten, drukt u 2 tot 3 seconden op de knop + (10). Rechts onder op het scherm verschijnt een indicator die aangeeft of de koplampen aan of uit zijn.
- Als de batterij leeg is, knippert er een E naast het batterijsymbool (7). Je moet het apparaat dan onmiddellijk opladen.
- Om tussen ondersteuningsmodi te schakelen, drukt u op de knoppen + (10) en - (11) na het inschakelen van het scherm. Je kunt kiezen uit de 5 beschikbare ondersteuningsniveaus.

### **Assistentiestanden:**

Het apparaat heeft 5 snelheidsstanden. Het elektrische ondersteuningssysteem wordt geactiveerd bij 1 tot 1,5 omwenteling van de pedalen.

0: geen ondersteuning, dit is de modus die geselecteerd is wanneer je het display inschakelt.

1: De elektrische ondersteuning stopt wanneer de snelheid 10 km/u bereikt.

2: De elektrische ondersteuning stopt wanneer de snelheid 14 km/h bereikt.

3: De elektrische ondersteuning stopt wanneer de snelheid 18 km/h bereikt.

4: De elektrische ondersteuning stopt bij een snelheid van 22 km/h.

5: De elektrische ondersteuning stopt bij een snelheid van 25 km/h.

### **Snelheden :**

Het apparaat is uitgerust met 7 snelheden.

U moet overschakelen naar een kleiner aantal zodra de inspanning belangrijk wordt. Om daarentegen het gevoel te vermijden dat u «in het luchtledige» trapt, moet u een hoger nummer kiezen.

Gebruik de versnellingspook op het stuur om van versnelling te veranderen.

### **Verlichting :**

Het verlichtingssysteem is een veiligheidsvoorziening van uw fiets, het moet verplicht op uw fiets aanwezig zijn. Controleer of uw verlichtingssysteem werkt en of uw batterijen opgeladen zijn alvorens te gaan rijden.

### **Deurbel :**

Een bel is geïnstalleerd op uw stuur. De bel is een veiligheidsvoorziening op uw fiets, hij moet verplicht aanwezig zijn op uw stuur.

### **Remmen :**

Met de rechterhandgreep activeert u uw achterrem.

Met het linkerhandvat activeert u de voorrem.

## **3.2. UITPAKKEN EN MONTEREN VAN HET APPARAAT**

Om het product uit te pakken, is het raadzaam om een vrije ruimte te voorzien die

groot genoeg is om het apparaat uit te pakken en voor te bereiden. Haal het apparaat uit de doos en zorg ervoor dat u zich niet verwondt of andere producten of het lokaal waarin u zich bevindt, beschadigt. Laat u helpen door iemand anders als het gewicht van het product te zwaar voor u is (het gewicht staat vermeld op de verpakking). Het uitpakken en monteren moet worden uitgevoerd door een volwassene.

### Montage van de pedalen :

Gebruik de markeringen R (rechts) en L (links) om ze te identificeren.

1. Monteer het rechter pedaal op de rechter crankarm. Draai het pedaal rechtsom vast met behulp van de bijgeleverde sleutel.
2. Schroef vervolgens het linker pedaal op de linker crankarm tegen de wijzers van de klok in.

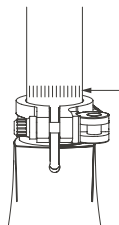
### Montage van het stuur :

1. Oriënteer het stuur eerst in de juiste richting.
2. Draai de bevestigingsschroef op de stuurpen vast met de bijgeleverde sleutel.
3. Controleer of het stuur correct is georiënteerd.

### Montage en afstelling van het zadel:

Draai de moer van de zadelpenklem los om de hoogte van de zadelpen in het frame te kunnen veranderen.

Kies een hoogte en draai de zadelpenklemmoer vast. Wanneer u het zadel in de laagste stand zet, moet u ervoor zorgen dat het zadel geen onderdelen van de fiets raakt, zoals het batterijdeksel. Zorg er ook voor dat u het minimale insteekmerk van de zadelbuis niet overschrijdt. Deze markering mag nooit zichtbaar zijn tijdens het gebruik van de fiets.



**BELANGRIJK :** Om uw zadelhoogte te bepalen, gaat u op de fiets zitten en plaatst u een hiel op het pedaal in de neerwaartse stand met de crank parallel aan de zadelpen. Wanneer uw been gestrekt is, is de zadelhoogte correct.

## Aanbevolen zadelhoogte en gebruikersmaat:

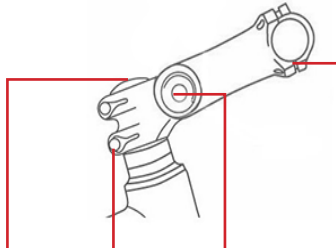
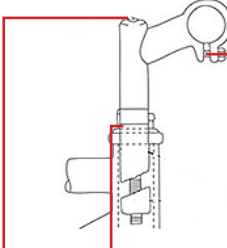
Wiel afmetingen	Maximale hoogte van het zadel	Minimale hoogte van het zadel	Aanbevolen gebruikersmaat*
20"	96 cm	84 cm	165 - 190 cm

\* Maat voor een «optimaal» gebruik van het toestel.

## Aanbevolen aanhaalmomenten voor stuur, stuurpen, zadel, zadelpen en wielonderdelen :

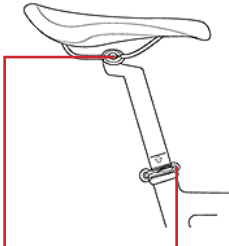
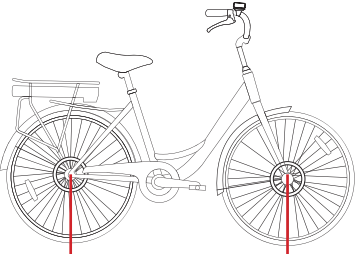
Om een correcte bevestiging van het stuur, de stuurpen, het zadel, de zadelpen en de wielen te garanderen, wordt aanbevolen de juiste aanhaalsleutels te gebruiken en een aanhaalkracht toe te passen die in overeenstemming is met de specifieke aanhaalkoppels voor elk van de onderdelen van de volgende verschillende fietsmodellen (in Nm):

### Stuurpen en stuur:

	MODEL met AHEADSET stang				MODEL met plunjerstelen		
							
Model	Stem op verticale schroefraamkop	Stem op het balhoofd van het frame (vork)	Hoogte-instelstang	Stuur op stuurpen	Stem op verticale schroefraamkop	Stuurpenmoer op framekop (vork)	Stuur op stuurpen
yeep.me CARGO	5.9	5.9	15	3.2	/	/	/

**Voorzichtig:** Het gebruik van een aerodynamisch of ander op het stuur geplaatst verlengstuk kan een negatieve invloed hebben op de reactietijd van de rijder tijdens het remmen en het nemen van bochten.

## Zadel en wielen :

	ZADEL		WIELEN	
				
Model	Zadel en zadelpen	Zadelpen en zadelbuis (frame)	Achterwiel tot frame	Voorwiel tot vork
yeep.me CARGO	22	snelsluiting	135	25

**Let op:** Onder bepaalde omstandigheden kunnen de controller, de lader, de mechanische schijven en sommige onderdelen van het product hoge temperaturen bereiken. Vermijd daarom contact of bescherm uzelf (handschoenen, beschermingen,...) voordat u deze onderdelen aanraakt binnen enkele minuten na gebruik van het product. Stel het product niet bloot aan temperaturen boven 50°C. Buiten dit bereik zal de autonomie worden aangetast. Bovendien zullen hoge temperaturen in een afgesloten omgeving de composietmaterialen van het product aantasten.

### 3.3.OPLADEN EN ACCU-INDICATOR

Laad de accu op voor het eerste gebruik. Hiervoor laadt u dit apparaat op met de meegeleverde oplader.



**Belangrijk:** Alle oplaadhandelingen moeten worden uitgevoerd met de originele oplader die bij het apparaat is geleverd. Laad het apparaat niet op met een andere oplader in geval van twijfel, verlies of niet-werking. Koop gewoon een nieuwe bij uw dealer. U vindt het e-mailadres voor contact met klantendienst op de laatste pagina van de garantiehandleiding.

Controleer dan voor gebruik het laadniveau van de accu dankzij de niveau-indicator van de accu **(19)**.

Er zijn twee manieren om de batterij op te laden:

1. Verwijder de batterij om deze op te laden.
2. Laad de accu rechtstreeks op via de aan de fiets bevestigde accu.

In ieder geval is het raadzaam de aansluitingen in de volgende volgorde te maken:

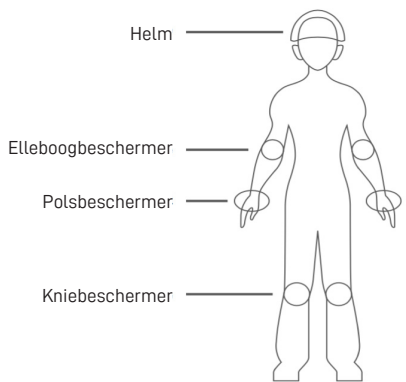
1. Sluit eerst de uitgangstekker van de lader aan op de accu en vervolgens de ingangstekker van de lader op het huishoudelijk stopcontact.
2. Koppel eerst de ingangstekker los van het huishoudelijk stopcontact en daarna

de uitgangstekker van de accu.

**Opmerking:** Wij raden aan de batterij na elk gebruik en ten minste eenmaal per maand op te laden. De batterij moet binnenshuis worden opgeladen.

### 3.4. VOORBEREIDING

Voor uw veiligheid raden wij u aan dit apparaat in comfortabele omstandigheden te gebruiken met beschermende uitrusting zoals een helm, handschoenen en geschikte bescherming voor uw gewrichten (kniebeschermers, elleboogbeschermers). Voor uw veiligheid en die van anderen moet u het apparaat gebruiken en besturen terwijl u gesloten schoenen draagt; en bij voorkeur vlak om een goede grip en stabiliteit te hebben.



### 3.5. HOE HET APPARAAT TE GEBRUIKEN (LEZEN VOOR HET EERSTE GEBRUIK)

#### HELMET DRAAGEN

Wij raden u ten sterkste aan u vóór het fietsen uit te rusten met ten minste een helm, die moet voldoen aan de voorschriften inzake persoonlijke beschermingsmiddelen en die moet zijn aangebracht.

**WAARSCHUWING:** De gebruiker moet voldoen aan de eisen van de nationale regelgeving bij het gebruik van de fiets op de openbare weg, met inbegrip van de naleving van de wegcode.

**WAARSCHUWING:** De gebruiker is verplicht verlichtings-, signalerings- en waarschuwingseinrichtingen op de fiets aan te brengen.

- Het is verboden op de stoep te rijden, anders moet de fiets in de hand worden gehouden.

- Draag geen oortelefoons of andere apparaten die geluid kunnen voortbrengen en gebruik geen handtelefoon.

Het dragen van een gecertificeerde retro-reflecterende vest is verplicht voor alle



fietsers en passagiers die 's nachts buiten de stad rijden of wanneer het zicht slecht is. De fabrikant wijst elke verantwoordelijkheid af indien de bestuurder van de fiets zich niet aan de geldende voorschriften houdt.

### 3.6. EERSTE GEBRUIK

Controleer voor elk gebruik de algemene toestand van uw fiets.

De goede staat van aan slijtage onderhevige onderdelen zoals remmen, banden, stuurinrichting, transmissie, velgen, enz. moet vóór elk gebruik door de gebruiker worden gecontroleerd en regelmatig door een gekwalificeerde monteur worden gecontroleerd, onderhouden en afgesteld.

Zorg ervoor dat u uw fiets goed onderhoudt volgens de instructies in de gebruikershandleiding.

Het ideale temperatuurbereik voor het gebruik van elektrische fietsen ligt tussen 5 en 25°C. Gebruik van uw elektrische fiets bij lage temperaturen, minder dan 5°C, zal uw batterij niet beschadigen, maar kan de prestaties verminderen.

Het apparaat zendt een gemiddelde geluidsdruk van minder dan 70dB uit in de oren van de gebruiker.

**WAARSCHUWING:** Zoals elk mechanisch onderdeel is een fiets onderhevig aan hoge spanning en slijtage. Verschillende materialen en onderdelen kunnen verschillend reageren op slijtage en vermoeiing. Als een onderdeel zijn levensduur heeft overschreden, kan het in één klap afbreken, wat de fietser letsel kan toebrengen. Scheuren, krassen en verkleuringen op zwaar belaste plaatsen wijzen erop dat het onderdeel zijn levensduur heeft overschreden en moet worden vervangen.

1. Controleer of de accu goed op zijn plaats zit en vergrendeld is met de sleutel in de stand «LOCK».
2. Schakel het toestel in door op de ON/OFF knop op het bedieningspaneel te drukken.
3. Begin te trappen als een gewone fiets.

### FOUTCODES SCHERM

N°	Betekenis
21	Stroom Abnormaal
22	Gaspedaal Abnormaal
23	Faseprobleem motor
24	Motor Hall defect
25	Rem defect

N°	Betekenis
30	Abnormale communicatie

### 3.7. VERWIJDEREN EN VERVANGEN VAN DE BATTERIJ

Draai de sleutel naar rechts en gebruik vervolgens de handgreep om de batterij te ontgrendelen en te verwijderen. Om de batterij terug te plaatsen, doet u het omgekeerde.

### 3.8. ASSISTANCE, PARKEREN EN AUTONOMIE

#### Trapondersteuning :

De fiets is uitgerust met een elektrische trapondersteuning. De motor, die zich in de naaf van het achterwiel bevindt, start zodra de gebruiker begint te trappen en zijn inspanningen heeft voltooid. De werking van de elektrische ondersteuning is afhankelijk van de snelheid van de pedalen en de snelheid van de fiets. Zoals bepaald door de huidige Europese wetgeving, stopt de 250 W motor bij 25 km/u en schakelt hij uit zodra de gebruiker stopt met trappen.

Om het vermogen van de motor en dus van de elektrische ondersteuning te verhogen of te verlagen, drukt u op de knoppen op het bedieningspaneel.

#### Parkeren :

- Schakel de stroom uit door op de ON/OFF knop op het bedieningspaneel te drukken.
- Vergrendel de batterij met de sleutel of verwijder hem en neem hem mee wanneer het toestel niet in gebruik is.
- Het is raadzaam het toestel vast te zetten wanneer het niet in gebruik is om diefstal te voorkomen.
- Parkeer het apparaat nooit buiten als het regent of sneeuwt. Geef de voorkeur aan een garage die droog en goed geventileerd is. Breng het toestel na een rit in regen of sneeuw naar een beschutte plaats en veeg eventueel vocht af met een schone, droge handdoek.

#### Kilometerstand/Autonomie :

Veel factoren zijn van invloed op het stroomverbruik en de actieradius, zoals uiteengezet in deel 4.

Om de actieradius van uw toestel te maximaliseren, is het belangrijk de volgende punten in acht te nemen:

- Laad de batterij volledig op voor een lange reis.
- De geadverteerde autonomie wordt gemeten onder optimale gebruiksomstandigheden. Het gewicht van de gebruiker, de rijsnelheid, ruwe wegen en heuvelachtig terrein, de bandenspanning, tegenwind, veelvuldige veranderingen in snelheid en remmen (in de stad) en de buitentemperatuur zijn allemaal factoren die van invloed zijn op de actieradius van het toestel.

- Rijden met goed opgepompte banden en een schoon, goed gesmeerd toestel bespaart energie.
- Controleer regelmatig de reminstellingen en zorg ervoor dat beide wielen vrij bewegen (dat de remmen tijdens het rijden niet over het wiel wrijven).
- De accucapaciteit neemt af naarmate de accu ouder wordt.

### 3.9. SNELHEIDSBEPERKINGEN

Het product is ontworpen om te rijden met een maximale snelheid van 25 km/u. Respecteer echter de beperkingen op het gebruik van uw product in overeenstemming met de verkeersveiligheidsregels die in het land van toepassing zijn.

### 3.10. GEWICHT VAN DE BESTUURDER

Het gewicht van de bestuurder mag niet meer zijn dan 120 kg. Opmerking: het niet naleven van deze gewichtslimiet verhoogt het risico dat het product valt of beschadigd raakt.

## 4. ONDERHOUD EN REINIGING

### 4.1 ACCU

Een accu met lithium verliest capaciteit tijdens oplaadcycli en ontladend gedurende zijn volledige levensduur. De notie van levenscyclus bestaat op lithiumaccu's (ongeveer 300 op een scooter bijvoorbeeld). Dat wil zeggen, vanaf 300 VOLLEDIGE laad- en ontladend cycli begint de accu zijn capaciteit te verliezen (voorbeeld van een smartphone).

Dit gedeeltelijke capaciteitsverlies belet niet dat de accu functioneert, maar beïnvloedt de prestaties en in het bijzonder de autonomie ervan.

Het is absoluut noodzakelijk om het apparaat te gebruiken en vooral om de accu minstens één keer per maand op te laden: inderdaad, een lithiumaccu ontladend zichzelf, zelfs als het product is uitgeschakeld. Dit is de reden waarom een accu zonder opladen gedurende enkele weken of minder capaciteit kan verliezen en niet kan worden opgeladen.

Bovendien is het mogelijk om na elk gebruik een lithiumaccu op te laden omdat er geen geheugeneffect is.

**LET OP:** de accu mag alleen binnenshuis worden opgeladen of in een kamer die beschermt is tegen slecht weer (regen, sneeuw, overmatige hitte, ...)

**Om de accu van uw apparaat zo goed mogelijk te sparen, enkele herinneringen en gebruikstips:**

- Koppel de oplader pas los als de accu volledig is opgeladen.

- Bewaar het product met de accu op een koele plaats (temperatuur > 0 °), zo dicht mogelijk bij 15 °C. Wees voorzichtig, overmatige hitte beschadigt de accu ook.
- Voorkom diepe ontladingen.
- Vermijd warm opladen. Laat het apparaat na gebruik 15 minuten tot 1 uur rusten voordat u het weer oplaadt.
- Vermijd overlading. Laat de oplader niet langer dan 24 uur aangesloten op het stopcontact, aangezien deze dan onnodig warm wordt.

**Opmerking:** We raden u aan om de accu na elk gebruik en minstens één keer per maand op te laden als u deze niet gebruikt.

**Belangrijk:** Als er nog maar een kwart van de accu over is en uw reis naar het oplaadpunt niet dichtbij is, raden we u aan om over te schakelen naar de eco-modus.

**Tip:** Tijdens het rijden kan de niveau-indicator van de accu op het scherm onmiddellijk afnemen, afhankelijk van uw rijmodus (intensief gas geven, rijden op een heuvel, buitentemperatuur lager dan 10 °C ...). Merk op dat het werkelijke niveau van de accu nauwkeuriger wordt weergegeven als het apparaat is uitgeschakeld.

## 4.2. INSPECTIE EN ONDERHOUD VAN UW APPARAAT

Uw product vraagt om routine-inspectie en onderhoud. Dit hoofdstuk beschrijft de onderhouds- en bedieningsstappen. Voordat u de volgende verrichtingen uitvoert, moet u ervoor zorgen dat de stroom is uitgeschakeld en dat de oplaadkabel is losgekoppeld. Controleer voor elk gebruik van het apparaat aandachtig:

- Het aanspannen van de handgrepen.
- De correcte werking van de wielen door het apparaat op te tillen en de wielen te laten draaien.
- De kolom, de stuurbuis, niets mag deze verhinderen te draaien. Het volledige stuursysteem moet correct zijn afgesteld en alle verbindingselementen en schroeven moeten zijn aangedraaid en in goede staat verkeren.
- De schroeven van het voorwiel, achterwiel, schokdempers, motorkap draai ze indien nodig vast. De trillingen die worden veroorzaakt door de werking van het apparaat, zijn de oorzaak van deze aanpassingsbehoeften.
- Slijtage van de banden. De bandenspanning als het apparaat is uitgerust met opblaasbare wielen en indien nodig oppompen met een fietspomp of gelijkwaardig.
- Remmen, trommelvoeringen, remblokken, voetrem afhankelijk van de uitrusting van het apparaat. Als het apparaat is uitgerust met mechanische remmen (schijf, trommel, voet ...), zorg er dan voor dat ze niet in wrijving staan door een spanning van kabels of een ander probleem, omdat dit een vertraging zou veroorzaken waardoor het apparaat niet normaal kan rijden. Bovendien kan het verhitten van de remmen hun efficiëntie beïnvloeden.
- De goede werking van de elektronische rem als het apparaat daarmee is uitgerust. Als u na de verschillende aandraagbewerkingen vaststelt dat er speling is die het veilig rijden zou kunnen beïnvloeden, als er een ongebruikelijk geluid optreedt of als het apparaat niet meer zo vlot rijdt, stop dan met het gebruik van het apparaat en neem contact op met uw dealer voor meer informatie of voor een interventie.

Als het product, een onderdeel of de accu versleten is, neem dan contact op met een erkend servicecentrum voor reparatie of recycling van uw product.

### **ONDERHOUD EN ONDERDELEN :**

Uw fiets heeft regelmatig onderhoud nodig voor uw veiligheid, maar ook om de levensduur te verlengen. Het is belangrijk om de mechanische onderdelen regelmatig te controleren, zodat versleten of versleten onderdelen indien nodig vervangen worden.

Voor elk onderhoud moet de accu worden verwijderd.

**WAARSCHUWING:** Bij het vervangen van onderdelen is het belangrijk om originele onderdelen te gebruiken om de prestaties en betrouwbaarheid van de fiets te behouden. Alleen onderdelen van de fabrikant worden als originele onderdelen beschouwd.

**WAARSCHUWING:** Het is de verantwoordelijkheid van de gebruiker in geval van aankoop en gebruik van namaak (namaak) onderdelen die vervolgens schade aan het product, persoon of milieu veroorzaken.

Zorg ervoor dat u de juiste reserveonderdelen gebruikt voor banden, binnenbanden, transmissie-elementen en diverse onderdelen van het remsysteem. Neem bij vragen contact op met de serviceafdeling of uw dealer.

De fabrikant kan niet aansprakelijk worden gesteld voor oneigenlijk gebruik of onjuiste installatie.

**WAARSCHUWING 1 :** Zoals alle mechanische onderdelen is EPAC onderhevig aan slijtage en hoge spanning. Verschillende materialen en onderdelen kunnen op verschillende manieren reageren op slijtage of spanningsvermoeidheid. Als de nominale levensduur van een onderdeel is overschreden, kan het plotseling defect raken, wat kan leiden tot letsel bij de gebruiker. Elke vorm van barsten, krassen of kleurverandering op de zwaar belaste plaatsen geeft aan dat de levensduur van het onderdeel is bereikt en moet worden vervangen.

**WAARSCHUWING 2:** Bij composietonderdelen kan de impactschade onzichtbaar zijn voor de gebruiker; de fabrikant moet uitleggen wat de gevolgen van impactschade zijn en dat composietonderdelen in geval van een impact ofwel voor inspectie naar de fabrikant moeten worden teruggebracht, ofwel vernietigd en vervangen moeten worden.

### **SMERING**

Smearing is van essentieel belang op de verschillende onderdelen die in beweging zijn om corrosie te voorkomen. Smeer de ketting regelmatig, poets de tandwielen en kettingbladen, doe regelmatig een paar druppels olie in de kabelhuizen van de rem en de derailleur.

Het is raadzaam de te smeren onderdelen eerst schoon en droog te maken. Het is raadzaam olie te gebruiken die specifiek bestemd is voor de ketting en de derailleur.

## **PNEUMATIEK**

Het wordt ten zeerste aanbevolen de bandenspanning regelmatig te controleren. Rijden met te lage of te hoge bandenspanning kan de prestaties nadelig beïnvloeden, voortijdige slijtage veroorzaken, schade aan de velg veroorzaken, de actieradius verkleinen of het risico op ongevallen vergroten. Als er ernstige slijtage of een kerf op een band zichtbaar is, vervang deze dan voordat u met de fiets gaat rijden.

**BELANGRIJK :** Op de zijwand van de band is door de fabrikant een spanningsbereik aangegeven. De bandenspanning moet worden aangepast aan het gewicht van de gebruiker.

## **REMMEN**

Controleer voor elk gebruik of de voor- en achterremmen in perfecte staat zijn. Controleer de remmen regelmatig om ongelukken als gevolg van een defecte rem te voorkomen.

De remhendel mag niet in contact komen met het stuur en de mantels mogen niet in een gesloten hoek staan, zodat de kabels met een minimum aan wrijving glijden. Beschadigde, gerafelde of verroeste kabels moeten onmiddellijk worden vervangen.

**WAARSCHUWING:** Bij regen of nat weer wordt de remweg verlengd.

## **VELGEN**

Controleer de staat van de velg en maak hem schoon als hij vuil is om voortijdige verslechtering te voorkomen. Rijd niet met een beschadigde of gescheurde velg die een ongeval kan veroorzaken.

## **KABELS**

Controleer of de kabelpoorten niet los zitten of stuk zijn.

## **SCHROEF**

Controleer de schroeven in de hoofdonderdelen, en zorg ervoor dat u ze regelmatig vastdraait. Trillingen van het toestel tijdens het rijden veroorzaken trillingen die de schroeven losmaken.

## **BATTERIJ**

Voor uw veiligheid en een optimale werking van de batterij moet u deze altijd opbergen in een droge, goed geventileerde ruimte, uit de buurt van vocht. De batterij mag niet worden blootgesteld aan slagen of defecte bedrading hebben.

**WAARSCHUWING:** Gebruik alleen de bijgeleverde batterij. Gebruik of laad geen niet-oplaadbare batterijen op.

## **LADER**

Zorg ervoor dat het snoer van de lader niet beschadigd is of dat de draden blootliggen

om kortsluiting te voorkomen. De ingangs- en uitgangsbussen mogen niet beschadigd of vervormd zijn.

**WAARSCHUWING:** Gebruik alleen de lader die bij het product is geleverd.

## **BAGAGEDRAGER**

Als uw fiets wordt verkocht met een bagagerek. Het is al bevestigd boven uw achterwiel. De bevestigingen moeten regelmatig worden vastgedraaid en gecontroleerd.

Uw bagagedrager is ontworpen voor een maximale belasting van maximaal 25 kg. Het is mogelijk om een kinderzitje te bevestigen.

Bij gebruik van een verend zadel moeten deze worden beschermd om beknelling van vingers te voorkomen. Uw bagagedrager is niet ontworpen om een aanhangwagen te trekken.

Om veiligheidsredenen mag bagage alleen op de bagagedrager worden vervoerd. Wanneer de bagagedrager beladen is, kan het gedrag van uw fiets veranderen. Bagage mag de reflectoren en lichten van uw fiets niet aan het zicht onttrekken.

Verdeel de lading van de bagage gelijkmatig om de stabiliteit van uw fiets te bevorderen. Alle bagage moet stevig op de bagagedrager worden bevestigd, voor elk gebruik is het belangrijk te controleren of er niets in het achterwiel van de fiets kan blijven haken.

Stel de bagagedrager niet willekeurig af, vraag uw dealer om advies over hoe u de bagagedrager eventueel kunt afstellen. Wijzig de bagagedrager niet, elke wijziging van de bagagedrager door de gebruiker maakt deze instructies ongeldig.

## **Waarschuwingen voor de risico's die verbonden zijn aan onjuiste montage of afstelling van de verschillende onderdelen van de fiets:**

Het niet opvolgen van deze instructies kan leiden tot oneigenlijk gebruik van uw fiets, vroegtijdige slijtage van bepaalde onderdelen die kan leiden tot een val en/of ongeval.

### **4.3. REINIGING VAN UW APPARAAT**

Volg deze richtlijnen en voorzorgsmaatregelen voor het reinigen van het apparaat:

- Koppel alle laadkabels los van het apparaat voordat u het reinigt.
- Dompel het nooit onder in water.
- Gebruik nooit een hogedrukreiniger, waterstraal of een ander apparaat en methode om te reinigen waarbij water in het apparaat kan sijpelen.
- Reinig het apparaat met een licht vochtige spons of zachte doek, vermijd connectoren en knoppen en pas op dat er geen water op de stopcontacten, circuits of in het product komt.
- Plaats geen water of vloeibare reinigingsmiddelen rechtstreeks op het product om het te reinigen.
- Gebruik geen schuurmiddelen of oplosmiddelen die de lak van uw apparaat kunnen beschadigen.
- Wees voorzichtig bij het reinigen en afvegen van de plastic onderdelen.
- Gebruik geen schuurmiddelen of oplosmiddelen om metalen of plastic onderdelen

#### 4.4. OPBERGEN VAN UW APPARAAT

- Laad uw product volledig op voordat u het opbergt.
- Bewaar uw product binnenshuis op een schone, droge plaats met een omgevingstemperatuur tussen 0 ° en 40 °C.

## 5. FAQ & GARANTIE

### 5.1. FAQ

#### **Uw apparaat start niet**

Controleer of de AAN/UIT-knop niet beschadigd is en laad uw apparaat opnieuw op voordat u het opnieuw probeert.

#### **Uw apparaat laadt niet op**

Controleer of de aansluitingen van het product en de originele oplader niet beschadigd zijn.

Controleer of de oplaadindicator op de oplader correct brandt om vast te stellen of de oplader of het apparaat defect is. Wanneer de oplader is aangesloten op het lichtnet en op het product, kan het indicatielampje in de volgende kleuren oplichten:

- **ROOD** niet knipperend (betekent dat het apparaat wordt opgeladen)
- **GROEN:** betekent dat het apparaat is opgeladen.
- **ROOD-GROEN:** afwisselend knipperend. Dit kan gebeuren als de accu bijna leeg is. Wacht 15 minuten terwijl u in de buurt blijft. Als het lampje rood wordt, is het normale opladen begonnen.

Als de led blijft knipperen, is er een probleem met de oplader of met het product (accu, connector, ...).

Als het probleem zich blijft voordoen, neem dan contact op met een erkend centrum voor de reparatie.

#### **Als het apparaat schokkerig werkt:**



Dit kan gebeuren als u de motor zwaar belast terwijl de accu niet volledig is opgeladen. Het is dan nodig om het gaspedaal minder hard in te duwen en vooral om te controleren of de accu goed is opgeladen.

## 5.2. GARANTIE

Raadpleeg voor alle informatie over garantievoorwaarden en aansprakelijkheidslimieten de meegeleverde garantiehandleiding of raadpleeg deze online met de QR-code op de laatste pagina of online op **[download.yeep.me](https://download.yeep.me)**



Vielen Dank für Ihren Kauf.  
Willkommen bei yeep.me

DE

## Inhaltsverzeichnis

<b>1. SICHERHEITSHINWEISE</b>	<b>140</b>
<b>2. INHALT UND TECHNISCHE DATEN</b>	<b>145</b>
<b>3. VERWENDUNG</b>	<b>146</b>
<b>4. WARTUNG UND REINIGUNG</b>	<b>155</b>
<b>5. FAQ und GARANTIE</b>	<b>160</b>

*Lesen Sie vor der Verwendung des Produkts die Betriebsanleitung aufmerksam durch. Sie hilft Ihnen dabei, dieses Produkt richtig zu verstehen, zu verwenden und zu warten sowie seine Leistung und Funktionen kennenzulernen.*

*Bewahren Sie dieses Handbuch für späteres Nachschlagen gut auf. Wenn Sie das Produkt weitergeben, geben Sie mit ihm auch dieses Handbuch weiter.*

# 1. SICHERHEITSRICHTLINIEN

**1.** Dieses Gerät wurde für die individuelle Fortbewegung von Jugendlichen und Erwachsenen entwickelt.

Das Gerät darf nicht von Kindern unter 12 Jahren verwendet, gereinigt, gewartet oder anderweitig gehandhabt werden.

Dieses Gerät darf von Kindern im Alter von mindestens 12 Jahren und von Personen mit eingeschränkten körperlichen, sensorischen oder geistigen Fähigkeiten oder ohne entsprechende Erfahrung oder Wissen verwendet werden, wenn sie ordnungsgemäß beaufsichtigt werden oder wenn Sie im sicheren Gebrauch des Geräts unterwiesen wurden und wenn sie die damit verbundenen Risiken verstehen. Das Gerät ist kein Kinderspielzeug. Die benutzerseitige Reinigung und Wartung darf von Kindern nicht ohne Aufsicht durchgeführt werden. Eltern sind dafür verantwortlich, dass Kinder dieses Gerät nicht unbeaufsichtigt verwenden. Das Produkt muss für Kinder unzugänglich aufbewahrt werden.

Das Ladegerät kann von Kindern ab 8 Jahren und von Personen mit verringerten physischen, sensorischen oder mentalen Fähigkeiten oder ohne Erfahrung und Wissen benutzt werden, wenn sie dabei ordnungsgemäß beaufsichtigt werden oder wenn sie Anweisungen zum sicheren Gebrauch des Geräts erhalten haben und die damit verbundenen Risiken verstanden haben. Stellen Sie sicher, dass nur das mit dem Produkt gelieferte Ladegerät verwendet wird.

Es dürfen keine anderen Personen und insbesondere keine Kinder oder Güter mit dem Gerät transportiert werden. Das Überschreiten der Gewichtsobergrenze kann Verletzungen und Schäden am Gerät zur Folge haben. Das Gewicht des Benutzers ist kein Hinweis darauf, dass er groß genug ist, um die Kontrolle über das Gerät zu behalten.

**2.** Dies ist ein Gerät für die individuelle Fortbewegung. Es wurde insofern nicht für Wettkämpfe oder Extremsportarten entwickelt und darf nicht in Skateparks verwendet werden. Sie dürfen damit keine Treppen hinauf- oder hinabfahren, Sprünge ausführen, über Hindernisse hinwegfahren, Tricks vorführen oder gefährliche Aktionen durchführen. Dieses Gerät ist weder ein Spielzeug noch ein Fitnessgerät.

Dieses Produkt ist nicht für den professionellen oder gewerblichen Gebrauch bestimmt, wie z. B.: Vermietung, Fuhrpark, Geschäftsreisen.

**3.** Dieses Gerät muss mit Vorsicht auf ebenem, sauberem, trockenem, kies- und fettfreiem Untergrund verwendet werden, da für die Fortbewegung Reibung zwischen den Rädern und dem Boden erforderlich ist. Weichen Sie Hindernissen, Schlaglöchern, Buckeln und Kanalrosten aus, denn sie können Unfälle verursachen. Bremsen Sie vor Fahrbahnschwellen ab.

Halten Sie Abstand zu anderen Verkehrsteilnehmern und beachten Sie die Regeln der Verkehrssicherheit. Sie sind gegenüber den Risiken, die durch das Verhalten anderer Verkehrsteilnehmer entstehen, nicht sicher. Fahren Sie vorausschauend und mit an die Verkehrslage angepasster Geschwindigkeit. Der Bremsweg ist von Ihrer Geschwindigkeit abhängig; beachten Sie, dass er sich bei feuchtem Wetter und/oder nasser Fahrbahn verlängert. Vermeiden Sie plötzliche Fahr- und Bremsmanöver; Sie können mit dem Gerät auch auf glattem und ebenem Untergrund ins Rutschen kommen, das Gleichgewicht verlieren oder sogar stürzen. Sie müssen immer sehr aufmerksam sein und Abstand zu Fußgängern und anderen Verkehrsteilnehmern halten, die die Straße überqueren könnten, ohne Sie gesehen zu haben. **ACHTUNG!** Verwenden Sie das Produkt nur in Bereichen, in denen es gesetzlich erlaubt ist.



**4.** Achtung! Dieses Gerät ist für die Verwendung im Freien vorgesehen. Es liegt in Ihrer Verantwortung, die örtlichen für öffentliche oder private Verkehrswege geltenden Regelungen zu kennen und einzuhalten.

**5.** Üben Sie das Fahren in einem offenen und ebenen, nicht stark von anderen Personen frequentierten Bereich. Tragen Sie dabei einen Schutzhelm.

Wenn Sie sich mit diesem Gerät fortbewegen, müssen Sie stets feste Schuhe und Hosen tragen. Fahren Sie dieses Gerät nicht mit nackten Füßen oder offenen Sandalen. Tragen Sie nicht zu weite Kleidung oder Kleidung mit baumelnden Kordeln oder Laschen, Halstücher usw., die sich im drehenden Rad verfangen könnten. Andernfalls besteht Erstickungs-, Sturz- oder Kollisionsgefahr.

**6.** Fahren Sie nicht bei Regen, Schnee, durch Pfützen, Schlamm oder an anderen nassen Stellen, an denen das Wasser mindestens 2 cm hoch steht und in das Innere des Geräts eindringen könnte. Befolgen Sie bei der Reinigung des Geräts die Anweisungen in Abschnitt 4.3.

Verwenden Sie dieses Gerät nicht bei schlechter Sicht. Wenn Sie nachts oder bei düsterem Wetter mit dem Gerät fahren, ist es empfehlenswert, reflektierende Kleidung oder Ausrüstung (z. B. eine Wanrweste, Armbinde o. Ä.) zu tragen. Von dieser Empfehlung abgesehen, müssen Sie sich an die örtlich geltenden Regelungen in Bezug auf die Ausrüstung halten.

**7.** Verwenden Sie dieses Gerät nicht, wenn Sie unter Alkohol- oder Drogeneinfluss stehen. Zu Ihrer Sicherheit ist die Verwendung in einem solchen Zustand streng verboten.

**8.** Achten Sie darauf, dass das Produkt nicht für Personen zugänglich ist, die es ohne die Erlaubnis des Hauptbenutzers oder ohne vorherige Unterweisung und Kenntnis dieser Sicherheitsmaßnahmen und -hinweise in Betrieb nehmen können.

Wenn Sie dieses Gerät an jemanden verleihen, stellen Sie sicher, dass er/sie über dessen Verwendung unterrichtet ist, und unterweisen Sie ihn/sie in Bezug auf diese Sicherheitshinweise. Sie müssen ihn oder sie darauf hinweisen, dass die Verkehrsregeln zu beachten sind und dass eine geeignete Sicherheitsausrüstung zu tragen ist.

**9.** Ein Fortbewegungsmittel unterliegt aufgrund seiner Verwendung, seiner Konstruktion und seiner Nutzungsweise physischen Beanspruchungen. Es ist daher unbedingt erforderlich, das Gerät vor jedem Gebrauch zu inspizieren und die ordnungsgemäße Funktion aller Sicherheitseinrichtungen (Bremsanlage, Beleuchtung) zu überprüfen. Die einzelnen Kontroll- und Wartungspunkte Ihres Geräts sind in Abschnitt 4.2 beschrieben.

Wenn Sie lose Teile, platte Reifen, übermäßigen Verschleiß, seltsame Geräusche, Fehlfunktionen oder einen anderen anormalen Zustand bemerken oder wenn eine Warnung wegen niedrigen Batteriestands ausgegeben wird, beenden Sie sofort die Fahrt mit diesem Gerät und nehmen Sie professionelle in Anspruch.

**10.** DAS GERÄT UNTER DEN FOLGENDEN UMSTÄNDEN WEDER VERWENDEN NOCH DEN AKKU LADEN:














- Das Produkt ist beschädigt.
- Der Akku gibt einen anormalen Geruch oder übermäßige Wärme ab.
- Die Bedienelemente für die Bremse oder andere Brems- oder Sicherheitskomponenten (Beleuchtung) sind beschädigt.

Stellen Sie die Verwendung ein und berühren Sie keine bei Leckagen aus dem Gerät ausgetretene Flüssigkeit. Der Akku darf niemals übermäßiger Hitze ausgesetzt werden.

**11.** Der Akku kann nicht vom Benutzer ausgetauscht werden. Wenden Sie sich für Modifizierungen/Wartungsarbeiten am Gerät an den Kundendienst Ihres Händlers oder der Marke.

**12.** Der Akku und die Batterien müssen ordnungsgemäß entsorgt werden. Wenn Sie sie nicht an Ihren Händler zurückgeben können, geben Sie sie zum Schutz der Umwelt in dafür vorgesehene Behälter (weitere Informationen hierzu erhalten Sie beim Kundendienst der Marke).

**13.** Jedes Öffnen des Geräts oder Produkts kann eine Veränderung seiner Sicherheit bewirken, für die die Marke nicht verantwortlich ist. Zu beachten ist auch, dass die Garantie für das Gerät oder Produkt erlischt, wenn es geöffnet wird. Sollten Sie dennoch eine Reparatur an Ihrem Gerät oder Produkt durchführen wollen, übernimmt die Marke keine Verantwortung für die Zuverlässigkeit der Reparatur oder für Schäden, die möglicherweise mit dieser Reparatur einhergehen. Für Unfälle, die möglicherweise infolge dieser Reparatur auftreten, übernimmt die Marke keine Verantwortung. Im Zweifel oder wenn Sie Hilfe benötigen, wenden Sie sich bitte an einen autorisierten Händler oder an den Kundendienst der Marke.

Piktogramm	Bedeutung
	Lesen Sie die Anleitung immer sorgfältig durch.
	Gewicht des Produkts allein.
	Maximales Gewicht für den Benutzer des Produkts.
	Motorleistung des Geräts (in kW)
	Maximale Geschwindigkeit des Geräts (in km/h)
	Das Ausrufezeichen in einem gleichseitigen Dreieck soll den Benutzer auf das Vorhandensein wichtiger Betriebs- und Wartungsanweisungen (Service) in der Bedienungsanleitung aufmerksam machen.
	Dieses Gerät darf nicht mit Wasser in Berührung kommen. Lagern Sie das Gerät nicht an einem nassen Ort.
	Das Blitzsymbol mit Pfeilspitze in einem gleichseitigen Dreieck soll den Benutzer auf das Vorhandensein von «gefährlicher Spannung» innerhalb des Gehäuses des Produkts hinweisen, die so stark sein kann, dass die Gefahr eines Stromschlags besteht.
	Dieses Symbol zeigt an, dass dieses Gerät eine doppelte elektrische Isolierung zwischen der (gefährlichen) Spannung der Stromquelle und den für den Benutzer zugänglichen Teilen aufweist.
	Vorsicht! Schutzausrüstung wie Handgelenkschoner, Handschuhe, Kniechoner, Helm und Ellbogenschoner müssen getragen werden.
	Elektro- und Elektronikgeräte müssen getrennt sortiert und entsorgt werden. Entsorgen Sie Elektro- und Elektronikgeräte nicht über den normalen, unsortierten Hausmüll, sondern bringen Sie sie zu einer selektiven Sortierstelle.
	Diese Kennzeichnung wird auf dem Typenschild verwendet, um anzuzeigen, dass das Gerät nur mit Gleichstrom betrieben wird oder um die entsprechenden Klemmen zu identifizieren.
	Diese Kennzeichnung dient zur Identifizierung des elektronischen Geräts, das den Transformator und die elektronische Schaltung umfasst, die elektrische Energie in einen oder mehrere Ausgangsanschlüsse umwandelt.



## 2. INHALTE UND TECHNISCHE DATEN

### Diese Packung enthält:

- yeeep.me CARGO Elektrofahrrad
- Werkzeug
- Original-Netzladegerät
- Schlüssel für Akkuschloss
- Benutzerhandbuch
- Garantie-Handbuch
- CE-Erklärung
- Garantiekarte **AUFBEWAHREN** (sie enthält die Seriennummer des Geräts und das Herstellungsdatum, wichtige Informationen für Garantiezwecke)

### Technische Daten:

<b>Akku :</b>	Lithium-Ionen 13Ah 36V
<b>Ladezeit :</b>	6-8h
<b>Autonomie :</b>	70 km max. mit Unterstützung*
<b>Geschwindigkeit :</b>	25 km/h*
<b>Motor :</b>	500W Nominal 48V
<b>Ladegerät :</b>	Eingang : 100-240V ~ 2A 50-60 Hz Ausgang : 54.6V --- 2A 109.2 W
<b>Maximal unterstütztes Gewicht :</b>	120 kg
<b>Gerätegewicht :</b>	28.5 kg
<b>Geräteabmessungen :</b>	212x28x146cm
<b>Modell-Referenz :</b>	BIGFOOT
<b>Ladegerät-Referenz :</b>	DPLC110V55

\* Allgemein gilt, dass Reichweite und Geschwindigkeit nur zur Orientierung angegeben werden. Sie variieren je nach Gewicht des Benutzers und den Betriebsbedingungen (Gefälle, Außentemperatur, Feuchtigkeit, Geschwindigkeit und Motorlast). Änderungen der technischen Daten sind vorbehalten. Diese Angaben zu Geschwindigkeit und Reichweite stellen keine vertragliche Verpflichtung seitens des Einzelhändlers oder des Unternehmens CIBOX INTERACTIVE dar.

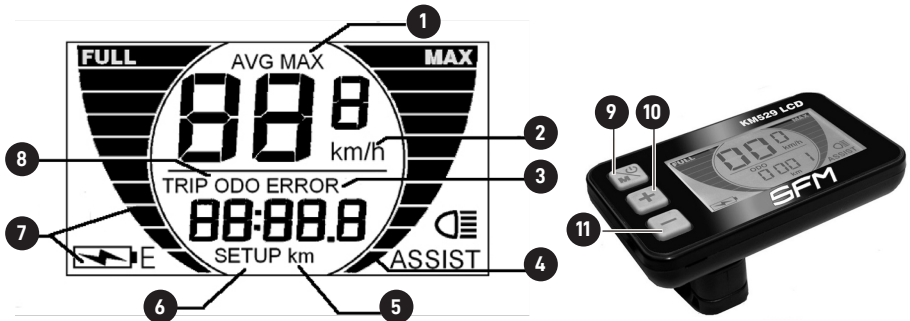
## DE 3. VERWENDUNG

### 3.1. ÜBERSICHT



(1). Anzeige (2). Hydraulische Scheibenbremse vorne und hinten (3). Sattel (4). Bremslicht (5). Schaltwerk, hintere Scheibenbremse (6). Motor (7). Abnehmbare Batterie (8). Vorderes Licht (9). Hydraulische Vorderradgabel (10). Hydraulische Scheibenbremse vorne

#### BESTELLUNGEN:



(1). Durchschnittsgeschwindigkeit / Höchstgeschwindigkeit (km/h) (2). Geschwindigkeit (km/h) (3). Fehlercode. (4). Unterstützungsstufe (5). Zurückgelegte Distanz (6). Setup (7). Ladestand des Akkus (8). Zurückgelegte Distanz (TRIP) / Gesamtdistanz (ODO) (9). Taste MODE /Einschalten/Ausschalten (10). Taste + (11). Taste -.

#### Verwendung:

- Halten Sie die Taste MODE (9) 2 Sekunden lang gedrückt, um den Bildschirm ein- oder auszuschalten.

- Drücken Sie die Tasten MODE (9) und + (10) 2 Sekunden lang, um zwischen den Anzeigen GESCHWINDIGKEIT / DURCHSCHNITTLICHE GESCHWINDIGKEIT / HÖCHSTGESCHWINDIGKEIT zu wechseln.
- Drücken Sie die Taste MODE (9), um zwischen den Anzeigen TRIP und ODO zu wechseln.
- Um die zurückgelegte Strecke (TRIP) zurückzusetzen, halten Sie die Tasten MODE (9) und - (11) gleichzeitig 2 Sekunden lang gedrückt.
- Um die Scheinwerfer ein- oder auszuschalten, halten Sie die Taste + (10) 2 bis 3 Sekunden lang gedrückt. In der unteren rechten Ecke des Bildschirms erscheint ein Indikator, der anzeigt, ob die Scheinwerfer ein- oder ausgeschaltet sind.
- Wenn der Akku leer ist, blinkt ein E neben dem Batteriesymbol (7). Sie müssen Ihr Gerät dann sofort aufladen.
- Um zwischen den Unterstützungsmodi zu wechseln, drücken Sie die Tasten + (10) und - (11), nachdem Sie den Bildschirm eingeschaltet haben. Sie können aus 5 verschiedenen Unterstützungsstufen auswählen..

### **Modi für die Unterstützung:**

Das Gerät verfügt über 5 Geschwindigkeitsmodi. Das elektrische Unterstützungssystem wird ab 1 bis 1,5 Pedalumdrehungen aktiviert.

0: Keine Unterstützung, dieser Modus ist beim Einschalten des Bildschirms ausgewählt.

1: Die elektrische Unterstützung stoppt, wenn die Geschwindigkeit 10km/h erreicht hat.

2: Die elektrische Unterstützung stoppt, wenn die Geschwindigkeit 14km/h erreicht hat.

3: Die elektrische Unterstützung stoppt, wenn die Geschwindigkeit 18km/h erreicht hat.

4: Die elektrische Unterstützung stoppt, wenn die Geschwindigkeit 22km/h erreicht hat.

5: Die elektrische Unterstützung stoppt, wenn die Geschwindigkeit 25km/h erreicht hat.

### **Geschwindigkeiten:**

Das Gerät ist mit 7 Geschwindigkeiten ausgestattet.

Sie sollten auf eine kleinere Zahl umschalten, sobald die Anstrengung wichtig wird.

Umgekehrt sollte eine höhere Zahl gewählt werden, um das Gefühl zu vermeiden, «im luftleeren Raum» zu pedalieren.

Verwenden Sie den Schalthebel am Lenker, um die Gänge zu wechseln.

### **Beleuchtung :**

Die Beleuchtungsanlage ist ein Sicherheitsmerkmal Ihres Fahrrads, sie muss zwingend an Ihrem Fahrrad vorhanden sein. Prüfen Sie vor der Fahrt, ob Ihre Beleuchtungsanlage funktioniert und die Batterien geladen sind.

### **Türklingel :**

An Ihrem Lenker ist eine Klingel installiert. Die Klingel ist eine Sicherheitseinrichtung an Ihrem Fahrrad, sie muss obligatorisch an Ihrem Lenker vorhanden sein.

**Bremsen :**

Mit dem rechten Griff aktivieren Sie die Hinterradbremse.

Der linke Griff betätigt die Vorderradbremse.

**3.2. DAS GERÄT AUSPACKEN UND MONTIEREN**

Zum Auspacken und Vorbereiten des Produkts sollte man eine ausreichend große, freie Fläche vorsehen. Nehmen Sie das Gerät aus dem Karton. Achten Sie darauf, sich nicht zu verletzen oder andere Gegenstände oder den Raum zu beschädigen. Lassen Sie sich von jemandem helfen, wenn das Produkt zu schwer für Sie ist (das Gewicht ist auf der Verpackung angegeben).

Das Auspacken und die Montage müssen von einem Erwachsenen vorgenommen werden.

**Montage der Pedale :**

Verwenden Sie die Markierungen R (rechts) und L (links), um sie zu identifizieren.

1. Montieren Sie das rechte Pedal auf dem rechten Kurbelarm. Ziehen Sie das Pedal mit dem mitgelieferten Schraubenschlüssel im Uhrzeigersinn fest.

2. Schrauben Sie anschließend das linke Pedal gegen den Uhrzeigersinn auf den linken Kurbelarm.

**Montage des Lenkers :**

1. Richten Sie zunächst den Lenker in die richtige Richtung aus.

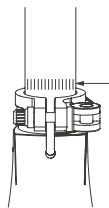
2. Ziehen Sie die Befestigungsschraube am Vorbau mit dem beiliegenden Schraubenschlüssel fest.

3. Prüfen Sie, ob der Lenker richtig ausgerichtet ist.

**Montage und Einstellung des Sattels:**

Lösen Sie die Mutter an der Sattelstützenklemme, um die Höhe der Sattelstütze im Rahmen verändern zu können.

Wählen Sie eine Höhe und ziehen Sie die Mutter der Sattelstützenklemme fest. Achten Sie beim Einstellen des Sattels in die unterste Position darauf, dass der Sattel kein Bauteil des Fahrrads berührt, z. B. die Batterieabdeckung. Achten Sie außerdem darauf, dass die Markierung für die Mindesteinstellung des Sitzrohrs nicht überschritten wird. Diese Einschubmarkierung sollte bei der Benutzung des Fahrrads nie sichtbar sein.



**WICHTIG :** Um Ihre Sattelhöhe zu bestimmen, setzen Sie sich auf das Fahrrad und stellen Sie eine Ferse auf das Pedal in der unteren Position, wobei die Kurbel parallel zur Sattelstütze ist. Wenn Ihr Bein gestreckt ist, ist die Sattelhöhe korrekt.

### Empfohlene Sattelhöhe und Benutzergröße:

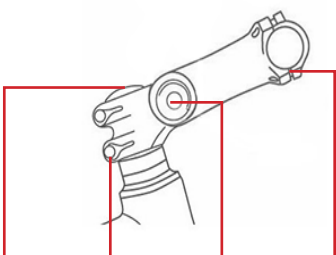
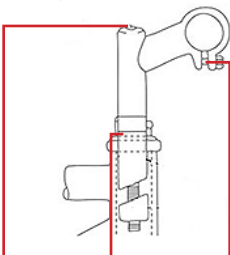
Radabmessungen	Maximale Höhe des Sattels	Minimale Sattelhöhe	Empfohlene Benutzergröße*
20"	96 cm	84 cm	165 - 190 cm

\* Größe für eine «optimale» Nutzung des Geräts.

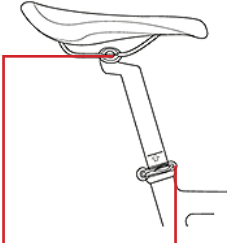
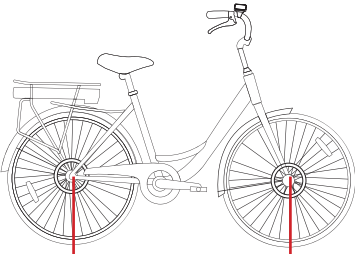
### Empfohlene Anzugsdrehmomente für Lenker, Vorbau, Sattel, Sattelstütze und Laufradkomponenten:

Um eine ordnungsgemäße Befestigung von Lenker, Vorbau, Sattel, Sattelstütze und Laufrädern zu gewährleisten, wird empfohlen, geeignete Schraubenschlüssel zu verwenden und eine Anzugskraft entsprechend den spezifischen Anzugsmomenten für die einzelnen Komponenten der folgenden verschiedenen Fahrradmodelle (in Nm) aufzubringen:

#### Vorbau und Lenker :

	MODELL mit AHEADSET-Vorbau				MODELL mit Stößelvorbauten		
							
Modell	Spindel auf vertikalem Schraubrahmenkopf	Vorbau am Rahmenkopf (Gabel)	Spindel zur Höhenverstellung	Lenker am Vorbau	Spindel auf vertikalem Schraubrahmenkopf	Spindelmutter am Rahmenkopf (Gabel)	Lenker am Vorbau
yeep.me CARGO	5.9	5.9	15	3.2	/	/	/

**Achtung!** Die Verwendung einer aerodynamischen oder anderen Erweiterung am Lenker kann die Reaktionszeit des Fahrers beim Bremsen und in Kurven negativ beeinflussen.

	SATTEL		RÄDER	
				
Modell	Sattel und Sattelstütze	Sattelstütze und Sitzrohr (Rahmen)	Hinterrad zum Rahmen	Vorderrad zur Gabel
yeep.me CARGO	22	Schnellspanner	135	25

**Achtung!** Unter bestimmten Bedingungen können das Steuergerät, das Ladegerät, die mechanischen Festplatten und einige Teile des Produkts hohe Temperaturen erreichen. Vermeiden Sie daher den Kontakt mit diesen Teilen oder schützen Sie sich (Handschuhe, Schutzkleidung,...), bevor Sie diese Teile innerhalb weniger Minuten nach der Verwendung des Produkts berühren. Setzen Sie das Produkt keinen Temperaturen über 50°C aus. Jenseits dieses Bereichs wird die Autonomie beeinträchtigt. Darüber hinaus werden die Verbundwerkstoffe des Produkts in einer geschlossenen Umgebung durch hohe Temperaturen beeinträchtigt.

### 3.3. AUFLADEN UND BATTERIEANZEIGE

Laden Sie den Akku vor dem ersten Gebrauch auf. Laden Sie dazu dieses Gerät mit dem mitgelieferten Ladegerät auf.



**Wichtig:** Alle Ladevorgänge müssen unbedingt mit dem mitgelieferten Original-Ladegerät durchgeführt werden. Laden Sie das Gerät im Zweifelsfall, bei Verlust oder Funktionsstörung nicht mit einem anderen Ladegerät auf. Sie sollten sich bei Ihrem Händler ein neues Ladegerät besorgen. Die E-Mail-Adresse des Supports, der Sie unterstützt, finden Sie auf der letzten Seite der Garantieanleitung.

Überprüfen Sie dann den Ladezustand des Akkus vor dem Gebrauch mit der Akkustandsanzeige **(19)**.

Es gibt zwei Möglichkeiten, den Akku aufzuladen:

1. Entfernen Sie den Akku, um ihn aufzuladen.
2. Laden Sie den Akku direkt über den am Fahrrad angebrachten Akku-Pack auf.

In jedem Fall ist es ratsam, die Anschlüsse in der folgenden Reihenfolge vorzunehmen:

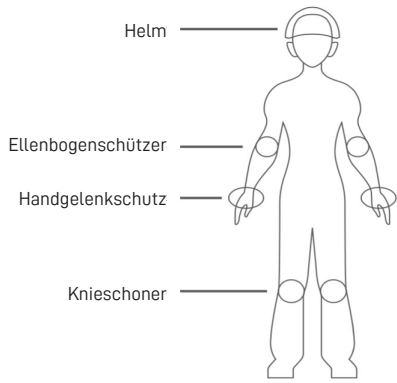
1. Schließen Sie zuerst den Ausgangsstecker des Ladegeräts an den Akku an und dann den Eingangsstecker des Ladegeräts an die Haushaltssteckdose.
2. Ziehen Sie zuerst den Eingangsstecker aus der Haussteckdose, dann den

Ausgangsstecker aus der Batterie.

**Hinweis:** Wir empfehlen, den Akku nach jedem Gebrauch und mindestens einmal im Monat aufzuladen. Der Akku sollte in Innenräumen aufgeladen werden.

### 3.4. VORBEREITUNG

Zu Ihrer Sicherheit empfehlen wir, dieses Gerät unter angenehmen Bedingungen mit Schutzausrüstung wie Helm, Handschuhen und angemessenem Schutz für Ihre Gelenke (Knieschoner, Ellenbogenschützer) zu verwenden. Zu Ihrer Sicherheit und der Sicherheit anderer Personen müssen Sie das Gerät mit geschlossenen Schuhen fahren und benutzen. Fahren Sie zuerst vorzugsweise auf ebenem Untergrund, um guten Halt und Stabilität zu haben.



### 3.5. VERWENDUNG DES GERÄTS (VOR DEM ERSTEN GEBRAUCH LESEN)

#### HELMTRÄGER

Wir raten Ihnen dringend, sich vor der Fahrt mit dem Fahrrad mit mindestens einem Helm auszustatten, der den Vorschriften zur persönlichen Schutzausrüstung entspricht und befestigt sein muss.

**WARNUNG:** Der Benutzer muss bei der Verwendung des Fahrrads auf öffentlichen Straßen die Anforderungen der nationalen Vorschriften einhalten, einschließlich der Einhaltung der Straßenverkehrsordnung.

**WARNUNG:** Der Benutzer ist verpflichtet, Beleuchtungs-, Signal- und Warneinrichtungen am Fahrrad anzubringen.

- Es ist verboten, auf dem Gehweg zu fahren, ansonsten muss das Fahrrad in der Hand gehalten werden.

- Das Tragen von Kopfhörern oder anderen Geräten, die Geräusche aussenden können, sowie die Benutzung eines Handtelefons ist verboten.

Das Tragen einer zertifizierten retroreflektierenden Weste ist für alle Radfahrer

und Mitfahrer vorgeschrieben, die nachts oder bei schlechten Sichtverhältnissen außerhalb der Stadt fahren. Der Hersteller lehnt jede Verantwortung ab, wenn der Fahrer des Fahrrads die geltenden Vorschriften nicht einhält.

### 3.6. ERSTE VERWENDUNG

Prüfen Sie vor jeder Benutzung den allgemeinen Zustand Ihres Fahrrads.

Der einwandfreie Zustand von Verschleißteilen wie Bremsen, Reifen, Lenkung, Getriebe, Felgen usw. muss vor jeder Benutzung vom Benutzer überprüft und regelmäßig von einem qualifizierten Mechaniker kontrolliert, gewartet und eingestellt werden.

Achten Sie auf eine ordnungsgemäße Wartung Ihres Fahrrads gemäß den Anweisungen in der Bedienungsanleitung.

Der ideale Temperaturbereich für den Einsatz von Elektrofahrrädern liegt zwischen 5 und 25°C. Die Verwendung Ihres Elektrofahrrads bei niedrigen Temperaturen, weniger als 5°C, schadet dem Akku nicht, kann aber die Leistung verringern.

Das Gerät gibt einen durchschnittlichen Schalldruck von weniger als 70 dB an den Ohren des Benutzers ab.

**WARNUNG:** Wie jedes mechanische Bauteil ist auch ein Fahrrad einer hohen Beanspruchung und Abnutzung ausgesetzt. Verschiedene Materialien und Komponenten können unterschiedlich auf Verschleiß und Ermüdung reagieren. Wenn ein Bauteil seine Lebenserwartung überschritten hat, kann es mit einem Schlag abbrechen und möglicherweise zu Verletzungen des Radfahrers führen. Risse, Kratzer und Verfärbungen in stark beanspruchten Bereichen weisen darauf hin, dass das Bauteil seine Lebenserwartung überschritten hat und ausgetauscht werden sollte.

1. Prüfen Sie, ob der Akku sicher eingesetzt und mit dem Schlüssel in der Position «LOCK» verriegelt ist.
2. Schalten Sie das Gerät durch Drücken der ON/OFF-Taste auf dem Bedienfeld ein.
3. Treten Sie in die Pedale wie bei einem normalen Fahrrad.

### BILDSCHIRM-FEHLERCODES



N°	Bedeutung
21	Strom abnormal
22	Drosselklappe Abnormal
23	Motorphasenproblem
24	Motor Hall defekt
25	Bremse defekt
30	Abnormale Kommunikation

### 3.7. SO ENTFERNEN UND ERSETZEN SIE DIE BATTERIE

Drehen Sie den Schlüssel nach rechts und verwenden Sie dann den Griff, um die Batterie zu entriegeln und zu entfernen. Um die Batterie zu ersetzen, gehen Sie in umgekehrter Reihenfolge vor.

### 3.8. ASSISTENZ, PARKEN UND AUTONOMIE

#### Tretunterstützung :

Das Fahrrad ist mit einer elektrischen Tretunterstützung ausgestattet. Der Motor, der sich in der Nabe des Hinterrads befindet, startet, sobald der Benutzer in die Pedale tritt und seine Anstrengung vollendet. Der Betrieb der elektrischen Unterstützung hängt von der Geschwindigkeit der Pedale und der Geschwindigkeit des Fahrrads ab. Wie von der aktuellen europäischen Gesetzgebung vorgeschrieben, stoppt der 250-W-Motor bei 25 km/h und schaltet ab, sobald der Benutzer aufhört zu treten.

Um die Leistung des Motors und damit der elektrischen Unterstützung zu erhöhen oder zu verringern, drücken Sie die Tasten auf dem Bedienfeld.

#### Parken :

- Schalten Sie das Gerät aus, indem Sie die Taste ON/OFF auf dem Bedienfeld drücken.
- Schließen Sie den Akku mit dem Schlüssel ab oder entfernen Sie ihn und nehmen Sie ihn mit, wenn das Gerät nicht benutzt wird.
- Es ist ratsam, das Gerät bei Nichtgebrauch zu befestigen, um Diebstahl zu verhindern.
- Stellen Sie das Gerät niemals bei Regen oder Schnee im Freien ab. Bevorzugen Sie eine Garage, die trocken und gut belüftet ist. Bringen Sie das Gerät nach einer Fahrt im Regen oder Schnee an einen geschützten Ort und wischen Sie die Feuchtigkeit mit einem sauberen, trockenen Handtuch ab.

#### Laufleistung/Autonomie :

Viele Faktoren beeinflussen die Rate des Stromverbrauchs und die Reichweite, wie in Teil 4 beschrieben.

Um die Reichweite Ihres Geräts zu maximieren, ist es wichtig, die folgenden Punkte

zu beachten:

- Laden Sie den Akku vor einer längeren Fahrt vollständig auf.
- Die beworbene Autonomie wird unter optimalen Einsatzbedingungen gemessen. Benutzergewicht, Fahrgeschwindigkeit, unebene Straßen und hügeliges Gelände, Reifendruck, Gegenwind, häufige Geschwindigkeits- und Bremsänderungen (in der Stadt) und die Außentemperatur sind alles Faktoren, die die Reichweite des Geräts beeinflussen.
- Das Fahren mit richtig aufgepumpten Reifen und einem sauberen, gut geschmierten Gerät spart Energie.
- Regularly check the brake settings and make sure both wheels are moving freely (that the brakes do not rub the wheel while driving).
- Battery capacity decreases as it ages.

### **3.9. GESCHWINDIGKEITSBEGRENZUNGEN**

Das Produkt ist für eine Höchstgeschwindigkeit von 25 km/h ausgelegt.

Beachten Sie jedoch die Einschränkungen für die Verwendung Ihres Produkts gemäß den im Land geltenden Verkehrssicherheitsbestimmungen.

### **3.10. GEWICHT DES TREIBERS**

Das Gewicht des Fahrers darf 120 kg nicht überschreiten.

Hinweis: Die Nichtbeachtung dieser Gewichtsgrenze erhöht das Risiko eines Sturzes oder einer Beschädigung des Produkts.

## **4. WARTUNG UND REINIGUNG**

### **4.1. AKKU**

Eine Lithiumbatterie verliert über die Ladezyklen langsam an Kapazität und entlädt sich während ihrer gesamten Lebensdauer komplett. Der Begriff des Lebenszyklus existiert bei Lithiumbatterien (z. B. ca. 300 bei einem Roller). Das heißt, ab 300 KOMPLETTEN Lade- und Entladezyklen verliert der Akku allmählich seine Kapazität (Beispiel des Smartphones).

Dieser teilweise Kapazitätsverlust beeinträchtigt nicht die Funktion des Akkus, beeinträchtigt jedoch seine Leistung und insbesondere seine Autonomie.

Es ist unbedingt erforderlich, das Gerät zu verwenden und vor allem den Akku mindestens einmal im Monat aufzuladen. Eine Lithiumbatterie entlädt sich sogar dann, wenn das Produkt ausgeschaltet ist. Aus diesem Grund kann ein Akku, der mehrere Wochen oder weniger nicht aufgeladen wurde, an Kapazität verlieren und Sie können ihn möglicherweise nicht mehr aufladen.

Darüber hinaus ist es möglich, nach jedem Gebrauch eine Lithiumbatterie aufzuladen, da kein Memory-Effekt vorliegt.

**ACHTUNG:** Der Akku darf nur in Innenräumen oder in vor schlechtem Wetter (Regen, Schnee, übermäßige Hitze usw.) geschützten Räumen aufgeladen werden.

## Um den Akku Ihres Geräts so gut wie möglich zu schonen, einige Hinweise und Gebrauchstipps:

- Trennen Sie das Ladegerät erst, wenn der Akku vollständig aufgeladen ist.
- Lagern Sie das Produkt zusammen mit dem Akku an einem kühlen Ort (Temperatur > 0°) bei einer Temperatur von ca. 15 °C. Seien Sie vorsichtig, übermäßige Hitze beschädigt auch den Akku.
- Vermeiden Sie Tiefentladungen.
- Vermeiden Sie ein Aufladen bei laufendem Betrieb. Lassen Sie das Gerät nach dem Gebrauch 15 Minuten bis 1 Stunde stehen, bevor Sie es wieder aufladen.
- Vermeiden Sie Überlastungen. Lassen Sie das Ladegerät nicht länger als 24 Stunden angeschlossen, da es sich unnötig erwärmt.

**Hinweis:** Wir empfehlen, den Akku bei Nichtgebrauch, nach jedem Gebrauch und mindestens einmal im Monat aufzuladen.

**Wichtig:** Wenn nur noch ein Viertel des Akkus verfügbar ist und Sie einen längeren Weg bis zur Ladestation zurücklegen müssen, empfehlen wir Ihnen, in den Energiespar-Modus zu wechseln.

**Tipp:** Während der Fahrt kann die Akkustandsanzeige auf dem Bildschirm je nach Fahrmodus sofort abnehmen (starker Einsatz des Gaspedals, Fahren auf einem Hang, Außentemperatur unter 10 °C, usw.). Beachten Sie, dass der tatsächliche Akkuladestand beim Ausschalten des Geräts genauer angezeigt wird.

## 4.2. INSPECTING AND MAINTAINING YOUR DEVICE

Ihr Produkt muss regelmäßig überprüft und gewartet werden. Dieses Kapitel beschreibt die Wartungs- und Betriebsschritte. Stellen Sie vor dem Ausführen den folgenden Schritten sicher, dass das Gerät ausgeschaltet und das Ladekabel ausgesteckt ist. Überprüfen Sie vor jedem Gebrauch des Geräts sorgfältig:

- den festen Sitz der Griffe.
- die korrekte Funktion der Räder, indem Sie das Gerät anheben und die Räder drehen.
- die Stange, den Lenker, nichts sollte verhindern, dass er sich dreht. Das gesamte Lenksystem muss richtig eingestellt und alle Verbindungsteile und Schrauben fest angezogen und in gutem Zustand sein.
- den Sitz der Schrauben des Vorderrads, des Hinterrads, der Stoßdämpfer und der Motorhaube und ziehen Sie sie gegebenenfalls fest. Die durch den Betrieb des Geräts verursachten Vibrationen sind der Grund für diese Einstellanforderungen.
- Reifenverschleiß. Der Reifendruck, wenn das Gerät mit Luftreifen ausgestattet ist. Pumpen Sie sie ggf. mit einer Fahrradpumpe oder einem ähnlichen Gerät auf.
- die Funktion der Bremsen, Trommelbeläge, Bremsbeläge, Fußbremse je nach Ausstattung des Gerätes. Wenn das Gerät mit einem mechanischen Bremsmechanismus (Scheibe, Trommel, Fuß ...) ausgestattet ist, stellen Sie bitte sicher, dass es nicht durch Kabelspannung oder andere Probleme zur Reibung kommt, da dies zu einer Verlangsamung führen würde, und verhindern würde, dass das Gerät normal rollt. Darüber hinaus kann das Erhitzen der Bremsen deren Effizienz

beeinträchtigen.

- die korrekte Funktion der elektronischen Bremse, wenn das Gerät damit ausgestattet ist.

Wenn Sie nach dem Nachziehen verschiedener Teile ein freies Spiel feststellen, das das sichere Fahren beeinträchtigen könnte, wenn ein ungewöhnliches Geräusch auftritt oder das Gerät nicht geschmeidig und ruhig fährt, verwenden Sie das Gerät nicht mehr und wenden Sie sich an Ihren Händler, um weitere Informationen zu erhalten oder um einen Service-Termin zu vereinbaren.

Wenn das Produkt, die Komponente oder der Akku abgenutzt ist, wenden Sie sich zur Reparatur oder zum Recycling Ihres Produkts an ein autorisiertes Service-Center.

### **WARTUNG UND ERSATZTEILE :**

Ihr Fahrrad benötigt eine regelmäßige Wartung zu Ihrer Sicherheit, aber auch um seine Lebensdauer zu erhöhen. Es ist wichtig, die mechanischen Komponenten regelmäßig zu überprüfen, um sicherzustellen, dass verschlissene oder abgenutzte Teile bei Bedarf ausgetauscht werden.

Vor jeder Wartung muss der Akku entfernt werden.

**WARNUNG:** Beim Austausch von Komponenten ist es wichtig, dass Sie Originalteile verwenden, um die Leistung und Zuverlässigkeit des Fahrrads zu erhalten. Nur Teile des Herstellers gelten als Originalteile.

**WARNUNG:** Es liegt in der Verantwortung des Benutzers, wenn gefälschte (nachgemachte) Teile gekauft und verwendet werden, die anschließend Schäden am Produkt, an Personen oder an der Umwelt verursachen.

Stellen Sie sicher, dass Sie geeignete Ersatzteile für Reifen, Schläuche, Übertragungselemente und verschiedene Komponenten des Bremssystems verwenden. Bei Fragen wenden Sie sich bitte an den Service oder Ihren Händler.

Der Hersteller kann nicht für unsachgemäßen Gebrauch oder falsche Installation verantwortlich gemacht werden.

**WARNUNG 1 :** Wie alle mechanischen Komponenten unterliegt auch EPAC dem Verschleiß und hohen Belastungen. Verschiedene Materialien und Komponenten können auf Verschleiß oder Spannungsermüdung unterschiedlich reagieren. Wenn die Nennlebensdauer eines Bauteils überschritten wurde, kann es plötzlich ausfallen, was zu Verletzungen des Bedieners führen kann. Jede Form von Rissen, Kratzern oder Farbveränderungen in den hoch beanspruchten Bereichen deutet darauf hin, dass die Lebensdauer des Bauteils erreicht ist und es ersetzt werden muss.

**WARNUNG 2:** Bei Komponenten aus Verbundwerkstoffen können Schlagschäden für den Benutzer unsichtbar sein. Der Hersteller muss die Folgen von Schlagschäden erklären und darauf hinweisen, dass Komponenten aus Verbundwerkstoffen im Falle eines Aufpralls entweder zur Überprüfung an den Hersteller zurückgeschickt oder zerstört und ersetzt werden müssen.

## SCHMIERUNG

Die Schmierung der verschiedenen in Bewegung befindlichen Komponenten ist wichtig, um Korrosion zu verhindern. Ölen Sie regelmäßig die Kette, bürsten Sie die Ritzel und Kettenblätter, geben Sie regelmäßig ein paar Tropfen Öl in die Hüllen der Brems- und Schaltzüge.

Es ist ratsam, die zu schmierenden Komponenten vorher zu reinigen und zu trocknen. Es ist ratsam, Öl speziell für die Kette und den Umwerfer zu verwenden. Für die anderen Komponenten sollte Fett verwendet werden.

## PNEUMATIK

Es wird dringend empfohlen, den Reifendruck regelmäßig zu überprüfen. Das Fahren mit zu niedrigem oder zu hohem Reifendruck kann die Leistung beeinträchtigen, zu vorzeitigem Verschleiß führen, Felgenschäden verursachen, die Reichweite verringern oder das Unfallrisiko erhöhen. Wenn an einem Reifen starke Abnutzung oder eine Kerbe sichtbar ist, ersetzen Sie ihn, bevor Sie mit dem Fahrrad fahren.

**WICHTIG!** Auf der Seitenwand des Reifens ist vom Hersteller ein Druckbereich angegeben. Der Druck muss entsprechend dem Gewicht des Benutzers eingestellt werden.

## BREMSEN

Überprüfen Sie vor jedem Einsatz die einwandfreie Funktion der Vorder- und Hinterradbremse. Überprüfen Sie die Bremsen regelmäßig, um Unfälle durch Fehlfunktionen der Bremsen zu vermeiden.

Der Bremshebel darf nicht mit dem Lenker in Berührung kommen und die Hüllen dürfen nicht in einem geschlossenen Winkel stehen, damit die Züge mit einem Minimum an Reibung gleiten. Beschädigte, ausgefranste, verrostete Züge müssen sofort ausgetauscht werden.

**ACHTUNG!** Bei Regen oder nassem Wetter verlängern sich die Bremswege.

## FELGEN

Überprüfen Sie den Zustand der Felge und reinigen Sie sie, wenn sie verschmutzt ist, um eine vorzeitige Verschlechterung zu vermeiden. Fahren Sie nicht mit einer beschädigten oder gerissenen Felge, die einen Unfall verursachen könnte.

## KABEL

Stellen Sie sicher, dass die Kabelanschlüsse nicht lose oder gebrochen sind.

## SCHRAUBE

Überprüfen Sie die Schrauben in den Hauptteilen und ziehen Sie sie regelmäßig fest. Vibrationen des Geräts während der Fahrt verursachen Erschütterungen, die die

## **AKKU**

Lagern Sie den Akku zu Ihrer Sicherheit und zur Optimierung des Akkubetriebs immer in einem trockenen, gut belüfteten Bereich, der nicht feucht sein darf. Sie darf keinen Schlägen ausgesetzt sein und keine fehlerhafte Verkabelung aufweisen.

**WARNUNG:** Verwenden Sie nur den mitgelieferten Akku. Verwenden oder laden Sie keine nicht wiederaufladbaren Batterien.

## **LADEGERÄT**

Stellen Sie sicher, dass das Ladekabel nicht beschädigt ist oder die Drähte frei liegen, um Kurzschlüsse zu vermeiden. Die Eingangs- und Ausgangsbuchsen dürfen nicht beschädigt oder verformt sein.

**WARNUNG:** Achten Sie darauf, dass Sie nur das mit dem Produkt gelieferte Ladegerät verwenden.

## **GEPÄCKTRÄGER**

Wenn Ihr Fahrrad mit einem Gepäckträger verkauft wird. Er ist bereits über Ihrem Hinterrad befestigt. Die Befestigungen sollten regelmäßig nachgezogen und überprüft werden.

Ihr Gepäckträger ist für eine maximale Belastung von maximal 25 kg ausgelegt. Es ist möglich, einen Kindersitz zu befestigen.

Bei Verwendung eines gefederten Sattels müssen diese geschützt werden, um ein Einklemmen der Finger zu verhindern. Ihr Gepäckträger ist nicht für das Ziehen eines Anhängers ausgelegt.

Aus Sicherheitsgründen sollte Gepäck nur auf dem Gepäckträger transportiert werden. Wenn der Gepäckträger beladen ist, kann sich das Verhalten Ihres Fahrrads ändern. Das Gepäck darf die Reflektoren und Lichter Ihres Fahrrads nicht verdecken. Verteilen Sie die Gepäcklast gleichmäßig, um die Stabilität Ihres Fahrrads zu fördern. Alle Gepäckstücke müssen sicher auf dem Gepäckträger befestigt sein. Prüfen Sie vor jeder Benutzung, dass sich nichts im Hinterrad des Fahrrads verfangen kann.

Verstellen Sie den Gepäckträger nicht willkürlich, lassen Sie sich bei Bedarf von Ihrem Fachhändler beraten, wie Sie ihn einstellen können. Verändern Sie den Gepäckträger nicht, jede Veränderung des Gepäckträgers durch den Benutzer führt zur Ungültigkeit dieser Anleitung.

## **WARNUNGEN VOR DEN GEFAHREN, DIE MIT EINER FALSCHEN MONTAGE ODER EINSTELLUNG DER VERSCHIEDENEN KOMPONENTEN DES FAHRRADS VERBUNDEN SIND:**

Die Nichtbeachtung dieser Anweisungen kann zu einer unsachgemäßen Verwendung Ihres Fahrrads, einem vorzeitigen Verschleiß bestimmter Komponenten, die zu einem Sturz und/oder Unfall führen können, führen.

### 4.3. GERÄTEREINIGUNG

Bitte befolgen Sie diese Anweisungen und Vorsichtsmaßnahmen zum Reinigen des Geräts:

- Trennen Sie alle Ladekabel vom Gerät, bevor Sie es reinigen.
- Tauchen Sie es niemals in Wasser.
- Verwenden Sie niemals einen Hochdruckreiniger, einen Wasserstrahl oder eine andere Vorrichtung oder Reinigungsmethode, bei der Wasser in das Innere des Geräts eindringen kann.
- Reinigen Sie das Gerät mit einem angefeuchteten Schwamm oder einem weichen Tuch. Meiden Sie Anschlüsse und Knöpfe und achten Sie darauf, dass kein Wasser in die Steckdosen, Stromkreise oder in das Produkt gelangt.
- Geben Sie kein Wasser oder flüssige Reinigungsmittel direkt auf das Produkt, um es zu reinigen.
- Verwenden Sie keine Scheuer- oder Lösungsmittel, die den Lack Ihres Geräts beschädigen könnten.
- Seien Sie vorsichtig beim Reinigen und Abwischen der Kunststoffteile.
- Verwenden Sie zum Reinigen von Metall- oder Kunststoffteilen keine Scheuer- oder Lösungsmittel.

### 4.4. GERÄTELAGERUNG

- Laden Sie Ihr Produkt vollständig auf, bevor Sie es lagern.
- Lagern Sie Ihr Produkt in Innenräumen an einem sauberen, trockenen Ort mit einer Umgebungstemperatur zwischen 0° und 40 °C

## 5. FAQ und GARANTIE

### 5.1. FAQ

#### Ihr Gerät lässt sich nicht einschalten

Vergewissern Sie sich, dass die EIN/AUS-Taste nicht beschädigt ist, und laden Sie das Gerät auf, bevor Sie es erneut versuchen.

#### Ihr Gerät wird nicht aufgeladen

Stellen Sie sicher, dass die Verbindungstechnik des Produkts und des Originalladegeräts nicht beschädigt sind.

Überprüfen Sie, ob die Ladeanzeige am Ladegerät richtig leuchtet, um festzustellen, ob das Ladegerät oder das Gerät fehlerhaft ist. Wenn das Ladegerät an das Stromnetz und an das Produkt angeschlossen ist, kann die Anzeigelampe wie folgt aussehen:

- **ROT** Dauerlicht (bedeutet, dass das Gerät aufgeladen wird)
- **GRÜN:** bedeutet, dass das Gerät vollständig aufgeladen ist.
- **ROT - GRÜN:** abwechselnd blinkend. Dies kann passieren, wenn der Akku sehr schwach ist. Warten Sie 15 Minuten und bleiben Sie in der Nähe. Wenn die Anzeige rot

leuchtet, wurde der normale Ladevorgang gestartet.

Wenn die LED weiterhin blinkt, liegt ein Problem mit dem Ladegerät oder dem Produkt (Akku, Stecker usw.) vor.

Wenn das Problem weiterhin besteht, wenden Sie sich zur Reparatur an ein autorisiertes Zentrum.

**Wenn das Gerät ruckartig fährt:**

Dies kann passieren, wenn Sie den Motor stark belasten, obwohl der Akku nicht vollständig aufgeladen ist. Es ist dann notwendig, entweder leichter auf das Gaspedal zu drücken und vor allem zu überprüfen, ob der Akku gut aufgeladen ist.

## **5.2. GARANTIE**

Alle Informationen zu Garantiebedingungen und Haftungsbeschränkungen finden Sie im bereitgestellten Garantiehandbuch oder online unter Verwendung des QR-Codes auf der letzten Seite oder online unter **[download.yeep.me](https://download.yeep.me)**







感谢您的购买。  
欢迎来到yeep.me

## 目录

1. 安全注意事项	164
2. 技术内容与数据	168
3. 使用方法	169
4. 保养和清洁	177
5. 问答&保修	181

使用本产品之前,请仔细阅读使用说明。它们能够帮助您正确理解、使用以及保养本产品,并了解其性能和功能。

请妥善保管本手册以供后期参考之用。如果您转让该产品,请连同本手册一同转让。

# 1.安全注意事项

1. 该设备适用于青少年和成人的个人出行。

12岁以下的儿童禁止使用、清洗、保养该产品,或对该产品进行任何处理。

该设备也可供 12 岁或 12 岁以上的儿童以及有身体、感知或智力缺陷的人员或无相关经验或知识的人员使用,但需要予以正确监督或者需要向其说明设备安全使用的相关知识以及相关风险。儿童不得将该设备作为玩具。儿童不得在无监督的情况下进行用户清洁和保养。父母有责任且绝不能让儿童在无监督的情况下独自使用该设备。产品应放置在儿童接触不到的地方。

本充电器可供 8 岁或以上的儿童和身体、感官或精神能力较差的人或没有经验或知识的人使用,但必须有适当的监督,或已向他们提供了如何安全使用本装置的说明,并了解其中的风险。请确保只使用本产品附带的充电器。


不得搭载他人,尤其不得搭载一名或多名儿童以及物品。超过重量限制可能会造成人身伤害和设备损坏。用户体重并不意味着其身高适合控制设备。

2. 这是一台个人出行设备,因此,它不能用于竞赛和极限运动,并且决不能在滑板场中使用。您不能用它上下楼梯、跳跃、跨越障碍、做危险动作。该设备既不是玩具也不是健身器械。

该产品不适用于职业或商业用途,例如:租赁、车队、职业出行等。

3. 该设备应在平坦、干净、干燥且无砂砾和油脂的表面上小心使用,因为它需要借助轮胎和地面之间的摩擦力来前进。避开可能引起事故的障碍物、孔洞、凸地以及下水道格栅。减速带区域应减速。

应与其他用户保持距离并遵守道路安全规定。您可能会承受其他用户行为所造成的风险。应该以合适的速度提前避开障碍物和车辆。制动距离由车速决定,请注意在潮湿天气和/或人行道上的制动距离。避免突然动作和刹车;即使在光滑平坦的表面上设备也可能会打滑、失去平衡、甚至跌倒。请时刻保持警惕,避免撞到没有留意到您的行人。警告!切勿在法律规定范围以外的地方使用本产品。

 **4. 注意!**本产品用于室外。您有责任了解并遵守使用地关于公共或私人道路的相关现行规定。

**5.** 在学习骑行设备期间, 应选一处开阔平坦地带且无过多人员在您周围, 同时需佩戴防护头盔。

当您使用该设备出行时, 您应始终穿戴结实的鞋子和裤子。如果您未穿鞋或穿了拖鞋, 请勿操作该设备。避免穿过于宽松的衣物或配有装饰带的衣物、围巾等, 避免卷入到行驶的车轮中。会导致骤停、跌倒以及/或碰撞。

**6.** 不得在雨天、雪天、水坑中、泥浆中或地面水深超过 2cm 的其他任何潮湿地带骑行, 这可能会导致水进入设备内部。关于设备的清洁, 参阅 4.3 章节中的注意事项。

如果能见度差, 则不得使用该设备。如果您在夜间或阴暗天气骑行, 建议穿戴反光的衣物或装备(例如, 马甲、臂章.....)。除此之外, 您还应遵守设备使用地区和国家的有关现行规定要求。

**7.** 如果您饮酒或吸食毒品, 则不得使用该设备。为了您的安全考虑, 切勿实施这一做法。

**8.** 未经主要用户许可或没有事先了解关于使用和安全的措施/注意事项, 不得将产品放在任何可以启动它的人员手中。

如果您将设备借给别人使用, 务必使其了解如何使用设备并向其解释所有的安全注意事项。您应提醒其遵守道路规则并佩戴相应的安全装备。

**9.** 产品的物理限制由用途、设计决定。因此每次使用该产品之前都必须对所有安全部件的功能进行检查(刹车、照明)。产品的操作与维护详见4.2章节。如果您发现零件松动、电池电量低警报、轮胎爆裂、过度磨损、噪音异常、运行不良等任何其他异常情况, 应立即停止骑行并向专业人员求助。

**10.** 不得在下列情形中使用设备或对电池进行充电:

- 产品受损。

- 电池有异味和异常发热。
- 刹车控制装置、其他刹车装置或安全(照明)装置受损。

如有泄露, 停止使用设备且不得接触任何渗漏出的液体。设备的电池决不能暴露在过热环境中。

**11.** 用户不得更换电池。请向经销商的售后部门或品牌方咨询设备的任何更改/保养问题。

**12.** 电池, 例如电池组, 应进行妥善处理回收。如果您的经销商不能回收您的产品, 应将其放在专用的容器(更多内容请咨询品牌方的支持部门)中以保护环境。

**13.** 打开设备或产品可能会更改安全性能, 品牌方对此不负任何责任。同时还需要注意, 打开后上述设备或产品的保修也会失去效力。如果您仍然希望对您的设备或产品进行维修, 那么不管是维修的可靠性还是与此维修有关的潜在损坏情况, 品牌方均不承担任何责任。此次维修后如果发生事故, 品牌方概不负责。如有疑问或需要帮助, 请联系授权经销商或品牌方的客户支持部门。

象形图	意义
	一定要仔细阅读说明书。
	仅仅是产品的重量。
	产品使用者的最大重量。
	设备的电机功率(单位:千瓦)。
	设备的最大速度(单位:km/h)。
	等边三角形内的感叹号是为了提醒用户在用户手册中存在重要的操作和维护(服务)说明。
	本装置不应接触到水。请勿将本机存放在潮湿的地方。
	等边三角形内带箭头的闪电符号是为了提醒用户在产品外壳内存在«危险电压»,其程度可能足以构成电击风险。
	该符号表示该设备在电源的(危险)电压和用户可接触的部件之间有双重电气隔离。
	注意事项! 必须佩戴防护设备,包括护腕、手套、护膝、头盔和护肘。
	电气和电子设备必须单独分类和处置。不要将电气和电子设备与普通的、未分类的家庭垃圾一起处理,而应将其带到有选择的分类中心。
	该标记在铭牌上用于表明设备仅在直流电上运行,或用于识别相应的端子。
	该标记用于识别由变压器和电子电路组成的电子装置,该装置将电能转换为一个或多个输出连接器。

## 2. 技术内容与数据

### 本包包含

yeep.me CARGO电动自行车

工具类

原装主充电器

电池锁钥匙

用户手册

保修手册

CE认证

保修卡需要保存(包含设备的序列号和生产日期,以及用于保修的重要信息)。

### 技术规格

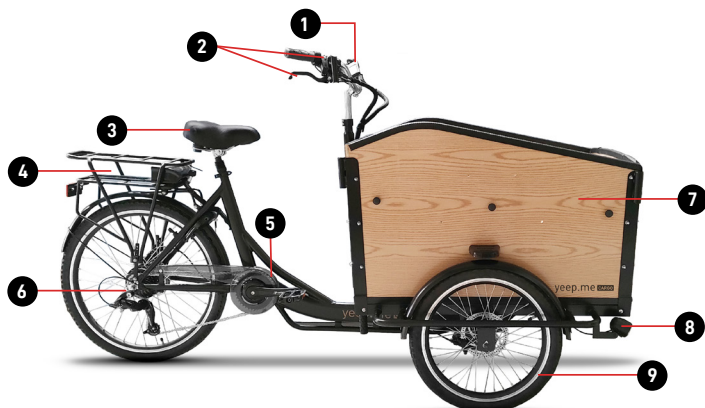
<b>电池：</b>	锂离子13Ah 36V
<b>充电时间：</b>	6-8h
<b>自主性：</b>	最长70公里,有援助*
<b>速度：</b>	25 km/h*
<b>马达：</b>	500W 标称48V
<b>充电器：</b>	输入:100-240V ~ 2A 50-60 Hz。 输出:54.6V --- 2A 109.2 W
<b>最大支持重量：</b>	120 kg
<b>设备重量：</b>	28.5 kg
<b>设备尺寸：</b>	212x28x146cm
<b>型号参考：</b>	BIGFOOT
<b>充电器参考：</b>	DPLC110V55

\* 一般来说,续航里程和速度仅做参考。会根据用户体重和使用条件(坡度、室外温度、湿度、电机速度和负载)的不同而不同。规格可能会有所变更。上述速度和续航里程的参数并不构成经销商方或 CIBOX INTERACTIVE 公司的合同承诺。



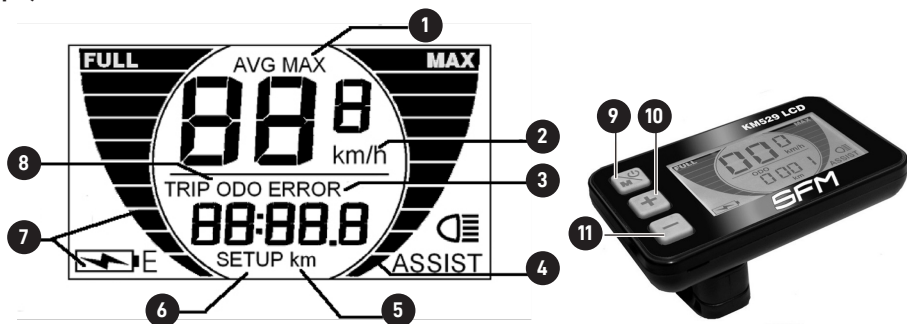
## 3. 使用方法

### 3.1. 产品介绍



(1) 显示屏 (2) 前后液压盘式制动器 (3) 座垫 (4) 刹车灯 (5) 变速器, 后盘式制动器 (6) 马达 (7) 可拆卸电池 (8) 前灯 (9) 液压前叉 (10) 前液压盘式制动器

命令：



(1). 平均速度 / 最高速度 (km/h) (2). 速度 (公里/小时) (3). 错误代码 (4). 辅助级别 (5). 行驶距离 (6). 设置 (7). 电池电量 (8). 距离 (TRIP) / 总距离 (ODO) (9). 模式/开/关按钮 (10). + 按钮 (11). - 按钮

如何使用：

- 按 MODE 按钮 (9) 2 秒钟打开或关闭显示屏。
- 按 MODE (9) 和 + (10) 按钮 2 秒钟可在 SPEED / AVERAGE SPEED / MAX SPEED 显示之间切换。
- 按 MODE (9) 在 TRIP 和 ODO 显示之间切换。
- 要重置行驶距离 (TRIP), 请同时按 MODE (9) 和 - (11) 按钮 2 秒钟。
- 要打开或关闭前照灯, 请按 + 按钮 (10) 2 至 3 秒钟。屏幕右下方会出现一个指示灯, 显示前照灯是打开还是关闭。

- 当电池电量耗尽时, 电池符号 (7) 旁边会闪烁 E。这时您必须立即为设备充电。
- 要在辅助模式之间切换, 请在打开显示屏后按 + (10) 和 - (11) 按钮。您可以从 5 种可用的辅助模式中进行选择。

### **辅助模式:**

该设备有 5 种速度模式。踏板转动 1 至 1.5 圈即可启动电动辅助系统。

0: 无辅助, 这是打开显示屏时选择的模式。

1: 当车速达到 10km/h 时, 电动辅助将停止。

2: 当车速达到 14km/h 时, 电动辅助将停止。

3: 当车速达到 18km/h 时, 电动辅助将停止。

4: 当车速达到 22km/h 时, 电动辅助将停止。

5: 当车速达到 25km/h 时, 电动辅助将停止。

### **速度:**

本设备有 7 种速度。

当您的努力变得重要时, 您应该尽快换成较小的速度。反之, 为了避免 « 真空 » 踩踏的感觉, 应选择较高的速度。

使用车把上的变速杆来换档。

### **照明系统:**

照明系统是自行车的一项安全功能, 它必须是您的自行车上的强制装置。在骑行前, 请检查您的照明系统是否正常工作, 电池是否已充电。

**车门铃:** 车门铃是安装在车把上的。

车把上有一个铃铛。铃铛是自行车上的安全装置, 必须强制安装在车把上。

### **刹车。**

右边的车把可以启动后刹车。

左边的把手激活前刹车。

## **3.2. 设备开箱和组装**

关于产品开箱, 建议准备一个面积足够大的开阔表面进行产品开箱和准备工作。从包装箱中取出设备, 同时注意不要伤到自己或损坏其他产品或您周围的场所。如果产品对您来说太重 (包装箱上标有重量), 您可以向别人求助。

### **安装踏板:**

使用R(右)和L(左)标记来识别它们。

- 1.将右踏板安装在右曲柄臂上。使用提供的扳手顺时针方向拧紧踏板。
- 2.然后将左踏板逆时针拧到左曲柄臂上。

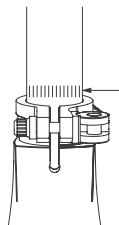
### 安装车把：

- 1.首先将车把的方向对准。
- 2.用随车提供的扳手拧紧车把上的固定螺丝。
- 3.检查车把的方向是否正确。

### 座垫的组装和调整。

松开座管夹上的螺母,就可以改变座管在车架上的高度。

选择一个高度,并拧紧座杆夹的螺母。当调整座垫至最低位置时,请确保座垫不会接触到自行车的任何部件,如电池盖。另外,请确保不要超过最小的座管插入标记。在使用自行车时,这个插入标记绝对不能被看到。



**重要提示:**为了确定您的座垫高度,请坐在自行车上,将脚后跟放在踏板上,处于向下的位置,曲柄与座杆平行。当你的腿伸直时,座垫高度就正确了。

### 推荐鞍座高度和用户尺寸

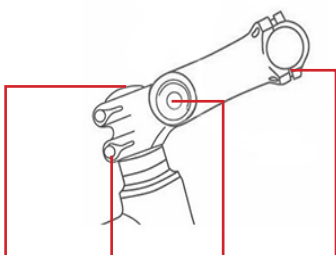
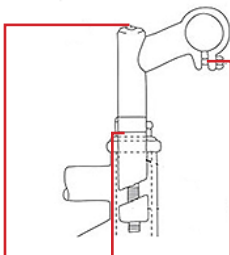
车轮尺寸	鞍座的最高高度	最小鞍座高度	建议用户规模*
20"	96 cm	84 cm	165 - 190 cm

\* «最佳»使用设备的尺寸。

### 车把、车杆、鞍座、座管和车轮部件的建议紧固力：

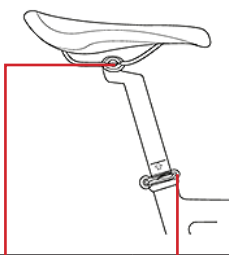
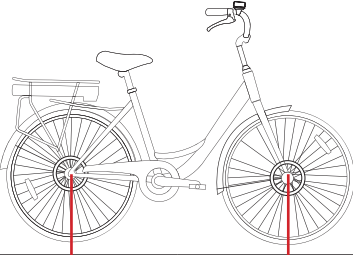
为确保车把、车杆、座垫、座管和车轮的正确安装,建议使用适当的紧固扳手,并按照以下不同自行车型号的每个部件的具体紧固力矩(单位:Nm)进行紧固。

## 车杆和车把：

	带有AHEADSET杆的MODEL				带柱状茎的型号		
							
Model	垂直螺丝 框架头上的 阀杆	车架头的 立管(前 叉)	高度调 节杆	车杆上的 手把	垂直螺丝 框架头上的 阀杆	车架头(前 叉)上的 立柱 螺母	车杆上的 手把
yeep.me CARGO	5.9	5.9	15	3.2	/	/	/

**注意事项。**使用放置在车把上的空气动力装置或其他扩展装置会对骑手在制动和转弯时的反应时间产生负面影响。

## 鞍座和车轮：

	鞍座		车轮	
				
Model	座垫和座杆	座杆和座管(车 架)	后轮到车架	前轮到货叉
yeep.me CARGO	22	快速释放	135	25

**注意事项。**在某些情况下，控制器、充电器、机械磁盘和产品的某些部分可能达到高温。因此，在使用本产品后的几分钟内，在接触这些部件之前，应避免接触或保护自己(手套、保护装置.....)。不要将产品暴露在50°C以上的温度下。超过这个范围，其自主性将受到影响。此外，在一个封闭的环境中，高温会影响产品的复合材料。

## 3.3. 电池充电和显示器

首次使用之前，请对电池进行充电。充电时，请使用原装充电器进行充电。

**⚠ 要求：**所有充电操作必须通过设备随附的原装充电器进行。如有疑问，耗电或无法正常工作，请勿使用其他充电器为产品充电。请从经销商处购买新新产品。产品技术支持的联系邮箱在保修手册最后一页。

请在使用电池电量显示器之前，先检查电池电量水平 (19)。

有两种方法可以给电池充电。

1. 取出电池进行充电。
2. 直接从连接在自行车上的电池组给电池充电。

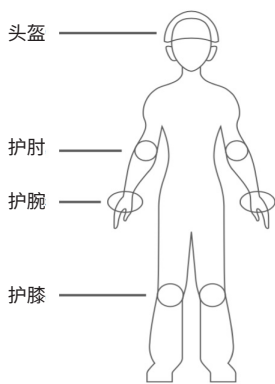
在任何情况下，建议按以下顺序进行连接。

1. 先将充电器输出插头连接到蓄电池上，再将充电器输入插头连接到家用电源插座上。
2. 先将输入插头与家用电源插座断开，再将输出插头与蓄电池断开。

**注意：**我们建议每次使用后对电池进行充电，至少每月一次。电池应在室内充电。

### 3.4. 准备

为了您的安全考虑，我们建议您在舒适的条件下使用该设备，佩戴头盔等防护设备以及适当的关节防护用品（护膝、护肘）。为了您和他人的安全考虑，您驾驶和使用该设备时应穿封闭式的鞋子；最好是平底鞋，以保证良好的附着力和稳定性。



### 3.5. 如何使用设备(首次使用前请阅读)

## 佩戴安全帽

我们强烈建议您在骑车前至少配备一顶头盔，头盔必须符合个人防护装备的规定，并且必须贴上。

**警告。**在公共道路上使用自行车时，使用者必须遵守国家法规的要求，包括遵守公路法规。

**警告。**使用者有义务在自行车上安装照明、信号和警告装置。

- 严禁在人行道上骑行，否则必须手扶自行车。
- 不要佩戴耳机或任何可能发出声音的设备，也不要使用手持电话。

所有骑车人和乘客在夜间或能见度低的情况下在城市外骑车，必须穿戴经认证的反光背心。如果自行车司机不遵守现行规定，制造商拒绝承担一切责任。

### 3.6. 首次使用

每次使用前，请检查自行车的一般状况。

每次使用前，用户必须检查刹车、轮胎、转向器、变速器、轮辋等易损件的良好状况，并由合格的技师定期检查、保养和调整。

一定要按照用户手册上的说明正确保养自行车。

电动自行车的理想使用温度范围是5-25°C。在低于5°C的低温下使用电动自行车，不会损坏电池，但可能会降低性能。

该设备在用户耳边发出的平均声压小于70dB。

**警告：**自行车和任何机械部件一样，都要承受很大的压力和磨损。就像任何机械部件一样，自行车也会受到高压力和磨损。不同的材料和部件对磨损和疲劳的反应不同。如果一个部件已经超过了它的使用寿命，它可能会在一次打击中断裂，可能会对骑车人造成伤害。高应力部位出现裂纹、划痕、变色，说明该部件已超过使用寿命，应更换。

1. 检查电池是否牢固到位，并将钥匙锁在«LOCK»位置。
2. 按下控制面板上的ON/OFF按钮，打开设备。
3. 像骑自行车一样开始踩踏。

### 屏幕错误代码

N°	含义
21	电流异常

N°	含义
22	节流异常
23	电机相位问题
24	电机霍尔缺陷
25	制动器故障
30	通信异常

### 3.7. 如何拆卸和更换电池

将钥匙向右转,然后使用手柄解锁电池并将其取出。要更换电池,请反过来做。

### 3.8. 輔助、停車及自動化系統

#### 踩踏輔助裝置。

这款自行车配备了电动脚踏辅助装置。位于后轮轮毂中的电机,一旦用户开始踩踏并完成努力,就会启动。电动辅助系统的运行取决于踏板的速度和自行车的速度。根据欧洲现行法律规定,250W电机在25公里/小时停止,一旦使用者停止踩踏,就会关闭。

要增加或减少电机的功率,从而增加或减少电动辅助装置的功率,请按控制面板上的按钮(10)和(12)。

#### 泊车:

- 按控制面板上的ON/OFF按钮,关闭电源。
- 用钥匙锁住电池,或者在不使用本机时将其取出并带走。
- 不使用本机时,最好将本机装上,以防止被盗。
- 下雨或下雪时,切勿将设备停放在室外。最好选择干燥、通风良好的车库。在雨雪天气出行后,请将设备拿到有遮挡的地方,用干净的干毛巾擦去水分。

#### 里程/自主性:

如第4部分所述,许多因素会影响电力使用率和续航里程。

为了最大限度地提高您的设备的续航能力,请注意以下几点。

- 长途旅行前要给电池充满电
- 宣传的自主性是在最佳使用条件下测量的。使用者体重、驾驶速度、崎岖道路和丘陵地形、轮胎压力、逆风、频繁的速度变化和制动(在城镇)以及外界温度都是影响设备续航里程的因素。
- 驾驶时,轮胎充气正确,装置清洁、润滑良好,可节省能源。
- 定期检查刹车设置,并确保两个轮子都能自由移动(驾驶时刹车不会摩擦车轮)。
- 电池的容量会随着老化而降低。

### 3.9. 速度范围

产品设计的最高行驶速度为 25 km/h。

但是,应根据您所在国家的现行道路安全规定遵守您产品的使用限制范围。

### 3.10. 驾驶人体重

驾驶人的体重应小于 120 kg。

注意:不遵守这一体重范围会增加产品跌倒或损坏风险。

## 4. 保养和清洁


### 4.1. 电池

锂电池在其使用期间会随着充放电周期次数而失去部分储电量。锂电池具有生命周期这一概念(例如滑板车的使用寿命约为 300)。也就是说,完全充放电 300 个周期后,电池将开始失去部分储电量(例如智能手机)。

失去部分储电量并不会妨碍电池的工作,但是会影响其性能尤其是续航能力。

必须使用产品,并且每月至少为电池充电一次:实际上,即使产品关闭电源,锂电池也会放电。这就是为什么电池几周或几个月未充电,但会失去所有储电量且无法充电。

此外,每次使用之后可以给锂电池充电,因为它没有记忆功能。

 **注意:** 电池充电只能在室内或在不受恶劣天气(雨、雪、高温……)影响的房间中进行

为了保护好您设备的电池,下面是几个注意事项和使用建议:

- 电池完全充满之前,不得断开充电器电源。
- 将装有电池的产品存放在温度尽可能接近 15 °C 的阴凉处(温度 > 0°C)。注意,过热环境也会损坏电池。
- 避免深度放电。
- 避免热充电。设备使用过后,让其静置 15 分钟到 1 小时,然后再进行充电。
- 避免过载。充电器不得充电超过 24 小时,因为它会产生无用的热量。

注:如果电池不使用,我们建议您在每次使用后重新充电,至少每月一次。

**重要提示:** 当电池电量剩余四分之一时,如果您的行程距离充电地点较远,建议您



切换到节能模式。

**建议:**当您骑行时,显示屏上的电池电量显示器可能会根据您的行驶模式(加速器负载大、斜坡道路、室外温度低于 10 °C等)而立即减少。设备停止时,电池的实际电量更为准确。

## 4.2. 产品检查与维护

您的产品需要进行日常检查和维护。本章将介绍保养和操作步骤。在进行下列操作之前,请确保已切断电源并且已拔掉充电线。每次使用产品前都应该仔细检查:

- 把手是否拧紧。
- 抬起滑板车并使其空转,以确保车轮正常运转。
- 支柱、转向管,不可影响滑板车转向。必须正确调整整个转向系统,并拧紧所有连接元件和螺钉,确保产品处于良好状态。
- 拧紧前轮、后轮、减震器以及发电机盖的螺钉,如必要需再次加固拧紧。设备行驶时如有振动,则说明需要进行上述紧固。
- 轮胎磨损。胎压如果设备配备了充气轮,则在必要时使用打气筒或类似设备进行充气。
- 根据产品设备检查 制动器、鼓式衬片、制动片、脚踏制动器。如果产品配备了机械制动器(圆盘制动器、鼓式衬片,脚踏制动器等),请确保它们会因拉紧电线或其他问题而造成摩擦,因为这会导致滑板车减速,从而阻止滑板车正常运转。此外,刹车装置发热可能会影响其功效。
- 如果配备的是电子制动器,确保其正常运转。

如果在重复拧紧加固后,还是存在安全隐患,如果发出异常声响,或者存在阻碍,请停止使用该产品并联系经销商以获取更多信息或进行处理。

如果产品、组件或电池损坏,请联系授权中心对您产品进行维修或回收。

### 维护和备件:

您的自行车需要定期维护,以保证您的安全,同时也能延长其使用寿命。定期检查机械部件很重要,以确保在必要时更换磨损或破损的部件。

在每次维护操作之前,必须取出电池。

**警告:**在更换部件时,必须使用原厂件。当更换部件时,必须使用原厂部件,以保持自行车的性能和可靠性。只有制造商的零件才被认为是原装零件。

**警告:**在更换部件时,必须使用原厂件。如果购买和使用假冒(伪劣)零件,随后对产品、人身或环境造成损害,用户应承担责任。

请务必使用合适的轮胎、内胎、传动元件和制动系统各部件的备件。如果您有任何疑问,请联系服务部门或您的经销商。

制造商对使用不当或安装错误不负责任。

**警告1:** 像所有的机械部件一样, EPAC会受到磨损和高应力的影响。不同的材料和部件会以不同的方式对磨损或应力疲劳做出反应。如果一个部件超过了额定寿命, 它可能会突然失效, 导致操作者受伤。任何形式的裂纹、划痕或高应力区域的颜色变化都表明该部件的寿命已经达到, 必须更换。

**警告2:** 对于复合材料部件, 冲击损坏可能是用户看不见的, 制造商必须说明冲击损坏的后果, 如果发生冲击, 复合材料部件必须退回制造商检查, 或者销毁和更换。

## 润滑

为了防止腐蚀, 对运动中的各种部件进行润滑是必不可少的。定期给链条上油, 给链轮和链环刷油, 定期给刹车和变速器的电缆外壳引入几滴油。

建议先将需要润滑的部件清洗干净并干燥。建议使用鏈條和變速器專用的油。其他部件则应使用油脂。

## 气动系统

强烈建议定期检查胎压。使用充气不足或过量的轮胎行驶会影响性能, 导致轮胎过早磨损, 造成轮辋损坏, 降低行驶里程或增加事故风险。如果任何轮胎严重磨损或出现凹槽, 请在骑车前更换轮胎。

**重要提示。** 制造商在轮胎侧壁上标明了压力范围。胎压必须根据使用者的体重来调整。

## 刹车系统

每次使用前, 请检查前后制动器是否处于完好的工作状态。定期检查刹车, 防止因刹车失灵而发生事故。

刹车杆不得与车把接触, 护套不得有闭合的角度, 使电缆在摩擦力最小的情况下滑动。损坏、磨损、生锈的电缆必须立即更换。

**警告。** 在雨天或潮湿的天气里, 制动距离会延长。

## 轮圈

检查车圈的状况, 如果车圈脏了, 要进行清洗, 避免车圈过早老化。不要带着损坏或裂纹的轮辋骑车, 以免造成事故。

## 电缆

确保电缆端口没有松动或损坏。

## 螺丝

请检查主要部件的螺丝, 并确保定期拧紧它们。机组在行驶过程中的振动会引起振动, 使螺丝松动

## 蓄电池

为了您的安全和电池的最佳运行状态, 请务必将电池存放在干燥、通风良好、远离

湿气的地方。电池不得受到撞击或有故障的线路。

**警告:**只能使用随附的电池。请勿使用不可充电的电池或为其充电。

## 充电器

确保充电器线没有损坏或电线裸露，避免短路。输入和输出插座不得损坏或变形。

**警告:**请务必只使用本产品附带的充电器

## 行李架

如果你的自行车在出售时有一个行李架。它已经固定在您的后轮上方。应经常检查和拧紧紧固件。

您的行李架设计的最大承重不超过25公斤。可以安装一个儿童座椅。

当使用弹簧座垫时，必须保护这些座垫，以防止手指被夹住。您的行李架不是用来拖曳拖车的。

出于安全考虑，行李只能在行李架上运输。当行李架装载时，您的自行车的行为可能会发生变化。行李不能遮挡自行车的反光镜和车灯。

均匀分配行李，以促进自行车的稳定性。所有的行李必须牢牢地固定在行李架上，每次使用前都要检查是否有东西卡在自行车的后轮上。

不要随意调整行李架，必要时请向经销商咨询调整方法。不要对行李架进行改装，用户对行李架的任何改装都将使本说明书失效。

## 警告与自行车各部件的不正确装配或调整有关的风险。

如果不遵守这些说明，可能会导致自行车的不当使用，某些部件过早磨损，可能导致摔倒和/或事故。

## 4.3. 产品清洗

清洗产品需遵守产品说明及注意事项：

- 清洁设备之前，先拔掉设备的所有充电线。
- 请勿将产品浸泡在水中。
- 切勿使用高压清洗机，喷水器或任何其他可能使水渗入设备内部的清洗设备和清洗方法。
  - 将海绵轻轻沾湿或用一块软布清洁设备，清洁时应避开接头和按钮并注意不要将水渗入插头、回路或产品内部。
- 请勿将水或清洁剂直接用于产品表面。
- 不得使用研磨产品或溶剂，可能会损坏设备的油漆。
- 您在清洁擦拭塑料部件时，应审慎小心。
- 不得使用研磨剂或溶剂清洁金属或塑料部件。

## 4.4. 产品存放

- 设备存放之前,先将其充满电。
- 将设备存放在整洁干燥且环境温度在 0 到 40 °C 之间的室内。

## 5. 问答&保修

### 5.1. 问答

#### 您的设备无法开机

检查开关按钮未受损,重试之前先对设备进行充电。

#### 您的设备不能充电

检查产品和原装充电器之间的连通性良好。

想要辨别故障发生在充电器上还是设备上,检查充电器的充电指示灯正常亮起。

充电器接通电源和产品时,指示灯可能为:

- 红灯常亮(说明设备正在充电)
- 绿灯:说明设备已充满电。
- 红灯-绿灯:交替闪烁。当电池点电量低时,会出现这种情况。15 分钟后在旁边观察情况。如果指示灯变为红灯,表示已开始正常充电。

如果指示灯持续闪烁,表示充电器或产品(电池、接头.....)有问题。

如果问题没有解决,请联系授权中心进行维修。

#### 如果设备运行不平稳:

如果电池在未充满电的情况下电机负载过重,可能会出现这种情况。要么降低加速器加速幅度,要么检查电池已充满电。

### 5.2. 保修

有关保修条件和责任的所有信息,请参考保修手册,或扫描最后一页上的二维码在线查询,也可在线访问 [download.yeep.me](http://download.yeep.me)





# yeep.me CARGO

CIBOX INTERACTIVE  
17 allée Jean Baptiste preux  
94140 ALFORTVILLE  
France

Made in Hungary  
2022



YEOP086-062022-V3-A